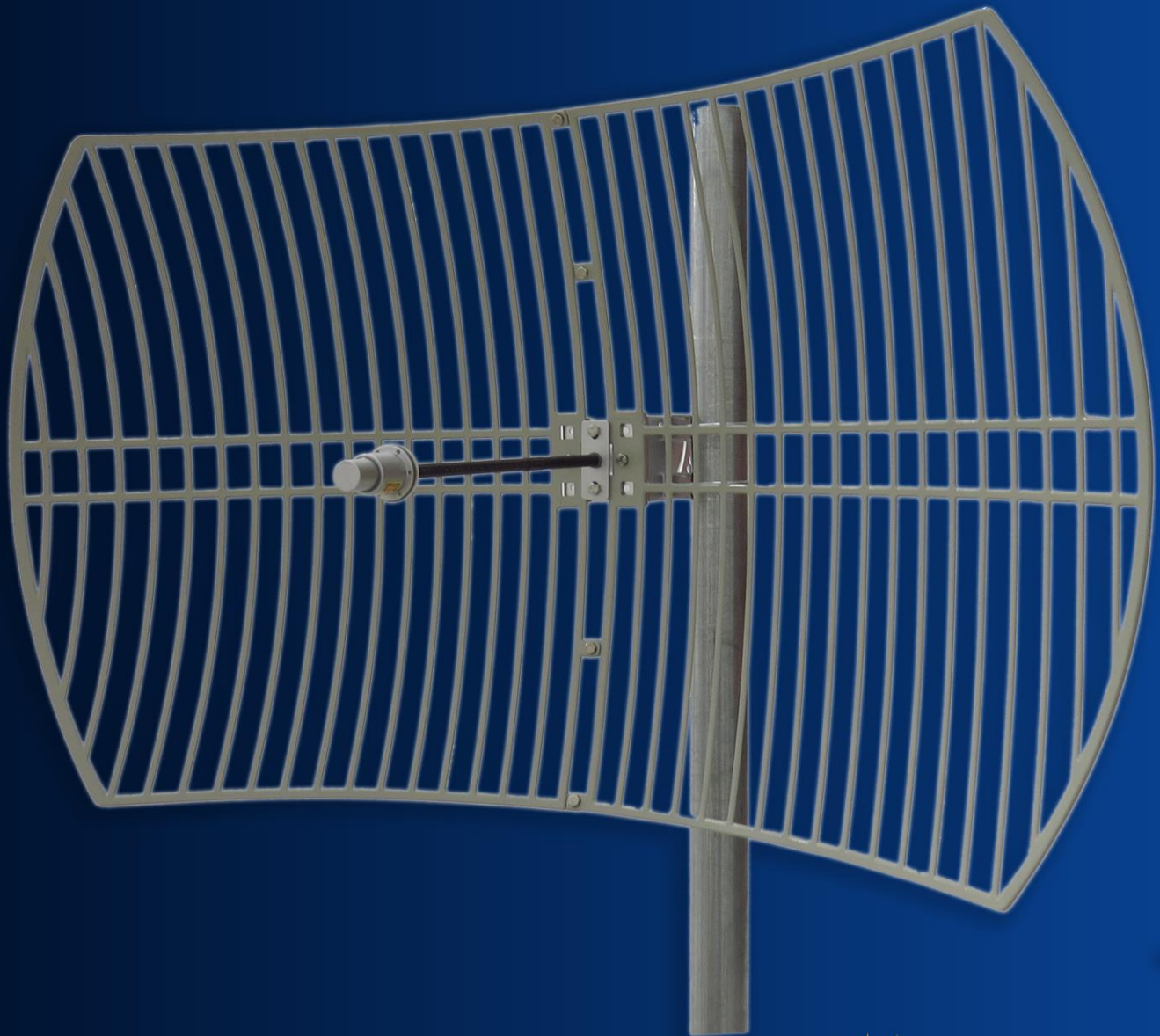


Altelix AG5G30

4.9-5.8 GHz Parabolic Grid Antennas

- Wide Multi-Band Coverage
- Vertical or Horizontal Polarization
- Low Wind Loading



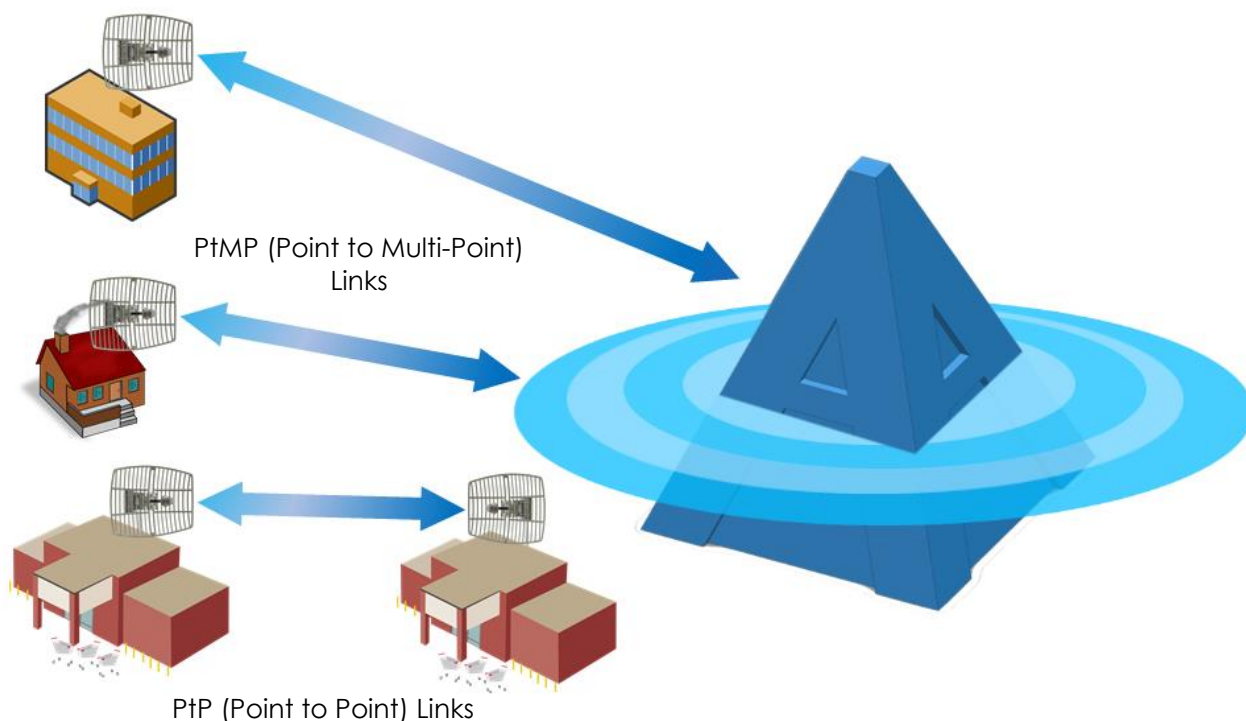
Overview

The Altelix AG5G30 Parabolic Grid Antenna offers high gain and quality construction. It is ideal for directional long-range 5 GHz 802.11a/n applications.

This antenna provides full 5 GHz band coverage (4900-5850 MHz) making it ideal for use with 5 GHz access points and wireless video systems, as well as 4.9 GHz Public Safety Band networks.

The AG5G30 powder coated die-cast aluminum grid offers corrosion resistance and diminished wind loading. The weather resistant feed assembly offers low VSWR and features an integral Type N Female connector. It can be installed for either vertical or horizontal polarization.

The antenna consists of a 2-piece die-cast reflector, feed assembly, 60 degree tilt/swivel pole mounting bracket and assembly hardware.

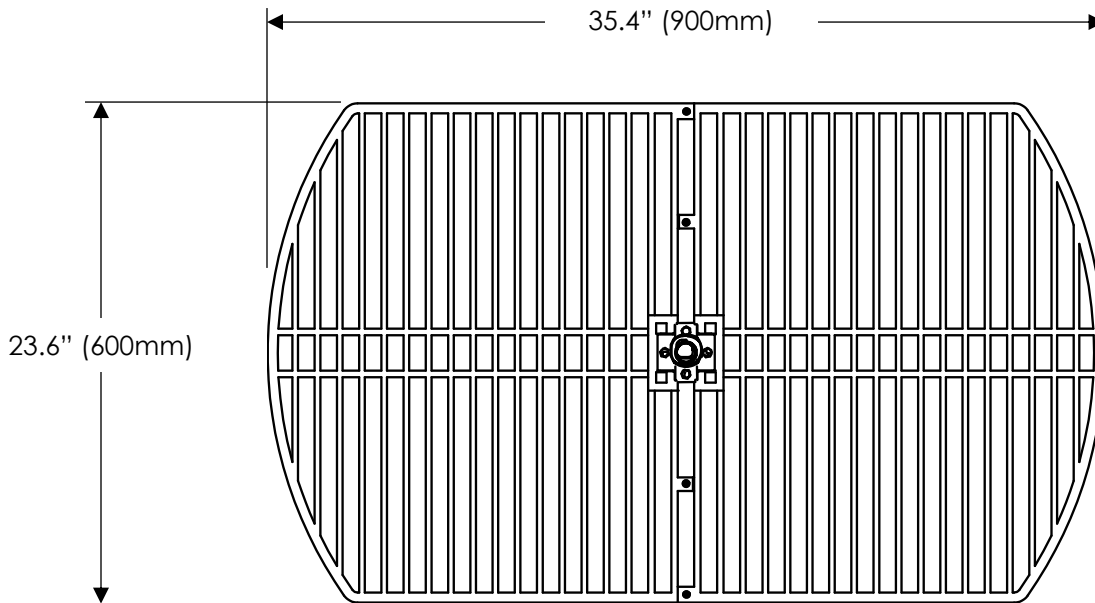


Features:

- Full Band Coverage (4900-5850 MHz)
- High Gain and Low Cost
- Vertical or Horizontal Polarization
- Low Wind Loading
- 60° Tilt & Swivel Mounting Kit
- All Weather Operation

Applications:

- 5 GHz 802.11a/n
- WiFi and WLAN Systems
- 4.9 GHz Public Safety Band
- Wireless Video Camera Systems
- Wireless Bridges and Backhaul



Model	AG5G30
Frequency Range	4900-5850 MHz
Bandwidth	950 MHz
Gain	29 dBi @ 4.9 GHz 30 dBi @ 5.8 GHz
Polarization	Vertical or Horizontal
Vertical Beamwidth	4 Degrees
Horizontal Beamwidth	6 Degrees
F/B Ratio	≥25 dB
VSWR	<1.8:1
Impedance	50 Ohm
Maximum Power	100 Watts
Connector	Integral N Female
Dimensions	35.4 x 23.6 In. (900 x 600 mm)
Mast Diameter	1.5–1.9 Inches (30-50 mm)
Weight	5.5 Lbs. (2.5 Kg)
Temperature Range	-40°F - 140°F (-40°C - 60°C)
Lightning Protection	DC Ground
Max. Wind Velocity	130 mph (210 km/h)
Wind Loading Data	
Wind Speed (MPH)	Loading
100	80.5 lbs.
120	115.5 lbs.



