



Features

- Fits IP / VOIP Phones with Wall Mount Brackets up to 4.7" Depth
- Aluminum Phone Mounting Plate with Keystone Wall Mount Phone Jack
- Includes Two RJ45 Keystone Inserts for Multiple Installation Options
- Water Resistant Enclosure Design with Gasketed Lid
- Stainless Steel Hinge and Quick Release Latches with Padlock Hasps
- Fiberglass Reinforced Polyester, FRP
- Available with either Service or Emergency Phone Labels
- Weatherproof, UV Stable and Highly Corrosion Resistant
- NEMA 4, 4X / IP66 Rated
- Includes Cable Gland and Stainless Steel Mounting Feet
- Pole Mounting Kit Available

Description

The **Altelix NF141206-T02** Outdoor Weatherproof IP Phone Call Box is ideal for deploying emergency telephones and service phones in outdoor locations and harsh environments. This rugged NEMA 4X enclosure is molded from durable and UV resistant fiberglass reinforced polyester (FRP) with a UL94-5V flame rating. It features a stainless steel continuous door hinge and stainless steel latches with provision for padlocks. The door is fully gasketed making this enclosure suitable for use in dusty and wet areas. This model features a finished aluminum back plate and a versatile keystone style wall mount phone plate which allows for multiple configurations.

This rugged dustproof and waterproof telephone enclosure is ideal for commercial applications including public pool decks, parking garages, resort properties, marinas, golf courses and public areas. Industrial uses include tunnels and mining, railway and subway stations, refineries, cement and chemical plants, treatment facilities and loading docks.



Installation Options

This enclosure includes multiple RJ45 keystone jacks that allow this phone box to be configured as follows:

Option 1 - Terminated Ethernet cable direct to phone.

Option 2 - Terminated Ethernet cable direct to RJ45 to RJ45 keystone adapter.

Option 3 - Unterminated Ethernet cable direct to tool-less punch down RJ45 jack.

Weatherproof Cable Gland works with Terminated Cables

The unique cable gland included with this enclosure is designed to allow pre-terminated telephone or Ethernet cables to be inserted into the phone box. Once tightened, the cable gland seals around the cable preventing water from entering the box.

Labels

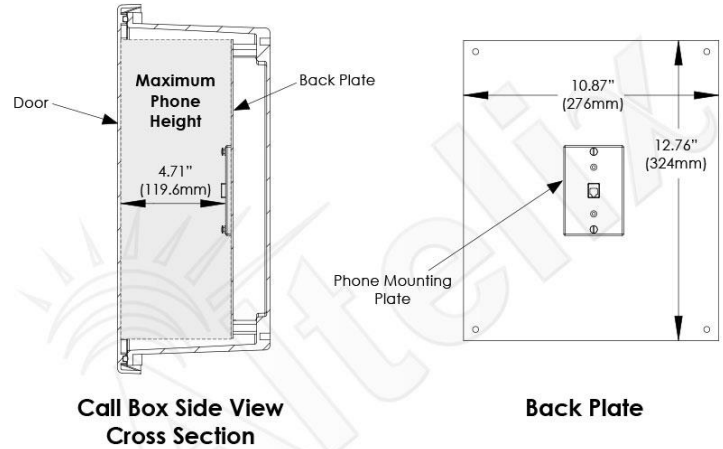
The NF141206-T02 is available with either a red and white Emergency Phone label or a green and white Service Phone label. Applied to the enclosure door, these labels are weatherproof and UV resistant.

Mounting

Stainless steel brackets are included for secure wall mounting. Optional flange and pole mounting kits are available.

Installation Note:

This enclosure is for use with low profile IP / VOIP phones with wall mount brackets up to 4.7 inches overall depth. For larger IP phones we recommend the Altelix NF141208-T02 14x12x8 enclosure. For internal dimensions of the enclosure see the Technical Specs table.

Additional Product Photos
ACCESSORY KIT
 Included with Enclosure

INSIDE USABLE SPACE FOR IP PHONE
Specifications

Models / Labels	NF141206-T02-1 / Emergency Phone Label NF141206-T02-2 / Service Phone Label
Material	Fiberglass Reinforced Polyester
Color	Gray
Outer Dimensions	15.7 x 13.8 x 6.5 Inches (401 x 352 x 165 mm)
Inner Dimensions*	12.7 x 10.8 x 4.7 Inches (324 x 276 x 119 mm)
Weight	10.2 lbs. (4.6 kg)
Ratings	Meets NEMA 1, 2, 4, 4X, 12, 13, and IP65, IP66
Flame Rating	UL94-5V

***Notes:**

- 1) Enclosure openings must be properly sealed with supplied plugs to maintain NEMA Type 4, 4X / IP66 rating.
- 2) Interior dimensions represent maximum space available for equipment.