



Altelix NFC Series

Fiberglass Weatherproof
NEMA Enclosures



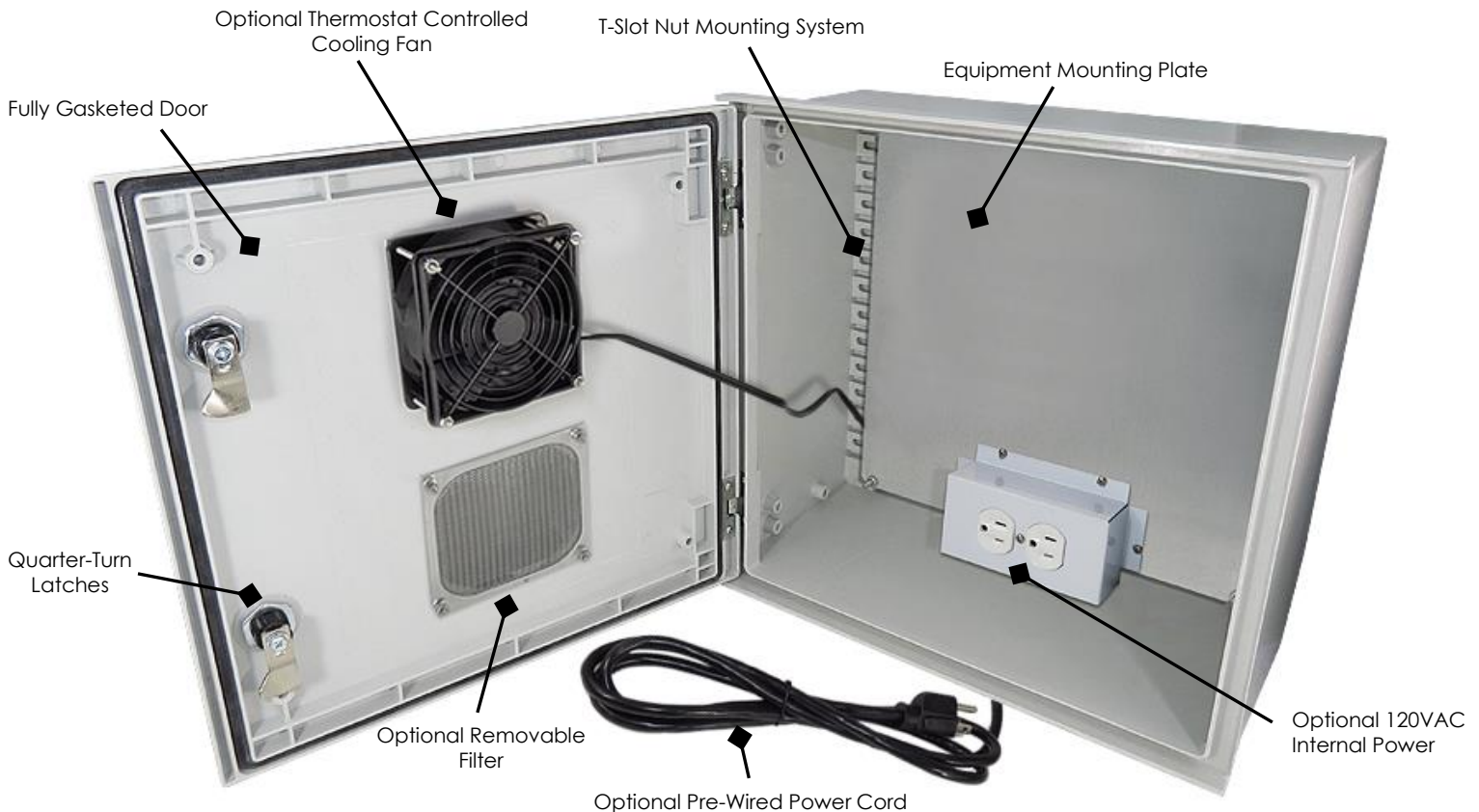
Overview

The Altelix NFC Series Weatherproof NEMA Enclosures are ideal for protecting equipment from harsh environments and tampering. These rugged enclosures are constructed from molded fiberglass reinforced polyester (FRP). They feature fully gasketed doors with quarter-turn latches to secure the enclosure. A versatile feature of the NFC series enclosures is the integral T-Slot Nut Mounting System. Molded into the interior of the enclosure, this mounting system can be used to mount different size and types of equipment mounting plates as well as DIN rails without modifying the enclosure. Model options include 120 VAC powered enclosures, thermostat controlled cooling fans and heaters as well as vented and windowed versions. In addition to our standard enclosures, Altelix can provide customized enclosures to suit a customer's specific requirements.

The following are some of the features and options available:

- Enclosure sizes include 12x10x6, 16x12x8, 16x16x8, 20x16x8, 24x16x9, 24x20x9 and 32x24x12 in.
- Fully gasketed door with reinforced hinges and quarter-latches. Keyed lock set also available.
- 120 VAC powered enclosures feature power outlets and optional pre-wired power cord.
- Optional thermostat controlled cooling fans and heating system.
- Insulated models feature 1/2" thick insulation bolted to the interior of the enclosure.
- Vented models with rain shields.
- Optional pole mounting kits available.

The following example shows some of the features and options available. The model shown is a 16x16x8 FRP enclosure – model #**NFC161608VFA1C**



Enclosure Features & Options

Enclosure

Molded from durable and UV resistant fiberglass reinforced polyester (FRP), the NFC series features a fully gasketed door making this enclosure suitable for use indoors or outdoors. Dual quarter-turn latches are provided on the door. An optional Keyed Lock Set with Key (HN-0001) is also available so that the enclosure can be locked, protecting any internal equipment installed.

Equipment Mounting Plate

The enclosure and plate can be drilled and modified by the installer to suit unique site requirements. Plate types include galvanized steel, aluminum and non-metallic polyester. Altelix can also provide plates that are pre-drilled to the customer's specifications.

Integral T-Slot Nut Mounting System

Molded into the interior of the enclosure is a versatile mounting system can be used to mount different size and types of equipment mounting plates as well as DIN rails without modifying the enclosure. Designed for use with T-Slot nuts, they run the full length of the enclosure from top to bottom. This mounting system provides the flexibility needed when configuring the enclosure for specific user requirements.

Heater

Ideal for cold environments, enclosures with this option feature a thermostat-controlled heating system. The heater turns on when the internal temperature reaches 43°F (6°C) and turns off when it rises to 59°F (15°C). The heater is situated below the mounting plate and wired internally so it does not interfere with user installed equipment or require the use of the AC outlets.



T-Slot Nut Mounting System

Cooling Fan Ventilation

Models with this option feature dual 4" vents and a thermostat controlled cooling fan. The low noise, high airflow fan helps maintain lower internal temperatures. The fan turns on when the internal temperature reaches 100°F (38°C) and turns off when it drops to 79°F (26°C). The fan is wired internally so it does not require the use of the AC outlets leaving them available for internal equipment use. Rain shrouds on the front door keep rain water from entering the enclosure, and the internal aluminum mesh filters are removable for cleaning. Dual fans are also available by request. Enclosures can be ordered with ventilation only, no fans.

Mounting

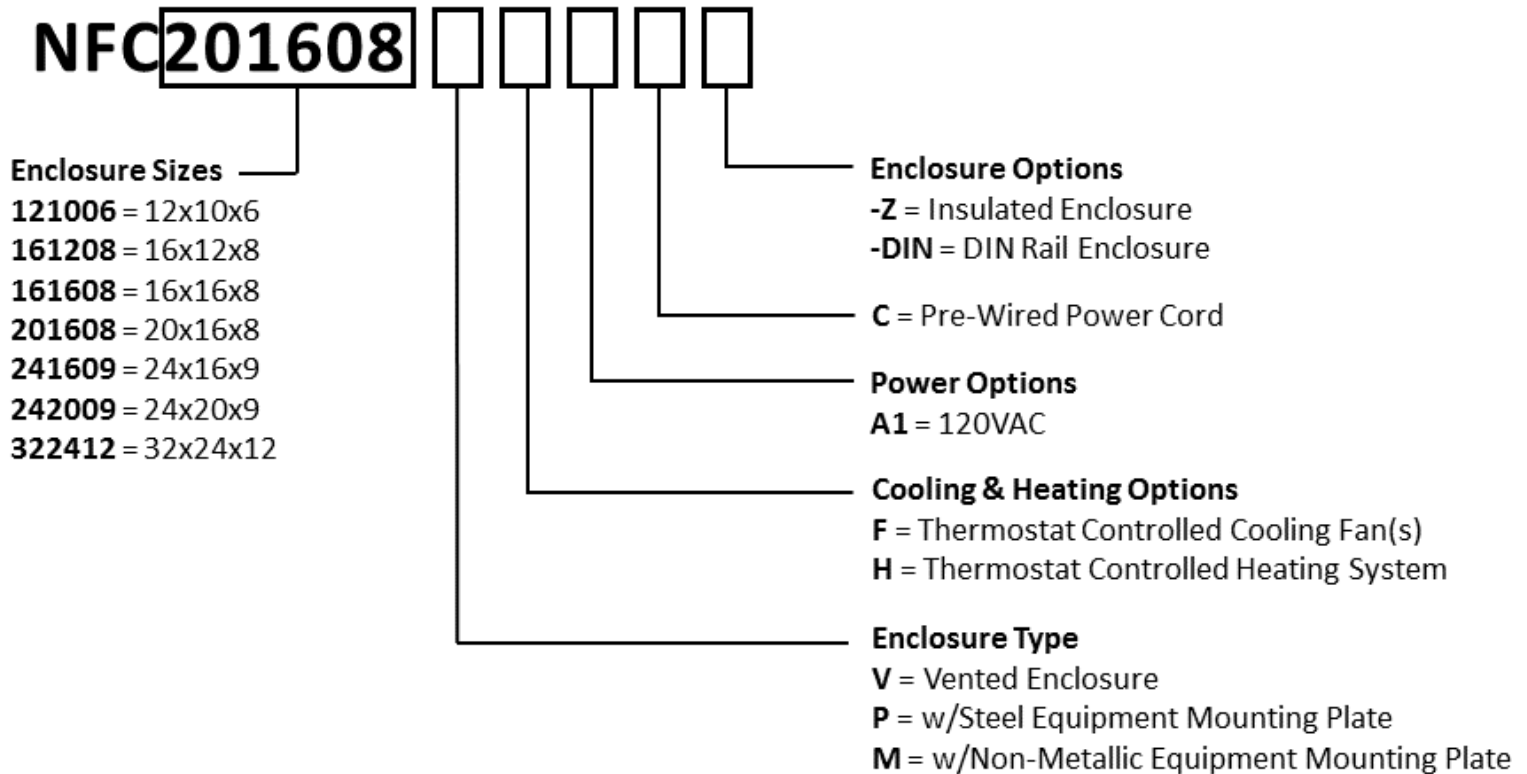
Four removable mounting feet are included so that the enclosure can be securely mounted to a wall or other structure. An optional pole mounting kits are also available.

Customization

We offer numerous standard models and options including equipment mounting plates, DIN rails, AC or DC power, air vents, cooling fans and heaters and more. We also offer full customization, engineering and on-site CNC machining of enclosures and associated equipment, all with quick turnaround time. Please contact us with your unique requirements.

Ordering Guide

The chart below is provided as a reference to help you understand Altelix's standard NFC Series part numbers.



Example:

NFC201608VFHA1C = Vented 20x16x8 Enclosure with Cooling Fans, Heat, 120VAC Outlets and Pre-Wired Power Cord



Non-Powered

Features:

- Includes wall mount hardware
- NEMA 3, 3X and IP65 rated

Model	Exterior Dimensions H x W x D Inches (mm)	Interior Dimensions* H x W x D Inches (mm)	Weight lbs. (kg)
NFC121006	11.8 x 9.8 x 5.6 (299 x 248 x 143)	9.0 x 8.3 x 4.0 (229 x 210 x 102)	5.0 (2.3)
NFC161208	15.7 x 11.9 x 7.9 (399 x 302 x 200)	12.25 x 10.0 x 6.1 (311 x 254 x 155)	6.8 (3.1)
NFC161608	15.7 x 15.8 x 7.9 (399 x 401 x 200)	12.3 x 14.2 x 6.1 (311 x 362 x 155)	9.0 (4.1)
NFC201608	19.7 x 15.8 x 7.9 (500 x 401 x 200)	16.3 x 14.2 x 6.1 (413 x 362 x 155)	9.8 (4.4)
NFC241609	23.7 x 15.8 x 9.0 (602 x 401 x 230)	20.3 x 14.1 x 7.2 (514 x 359 x 184)	14.1 (6.4)
NFC242009	23.7 x 19.7 x 9.0 (602 x 499 x 230)	20.5 x 18.0 x 7.2 (521 x 457 x 184)	15.4 (7.0)
NFC322412	31.7 x 23.7 x 11.8 (805 x 602 x 300)	28.0 x 21.3 x 10.2 (711 x 540 x 257)	27.0 (12.2)

*Interior dimensions represent maximum space available for equipment.



NFC121006



NFC161608



NFC241609



NFC322412

Non-Powered with Blank Equipment Mounting Plate

Features:

- Galvanized steel equipment mounting plate
- NEMA 3, 3X and IP65 rated

Model	Exterior Dimensions H x W x D Inches (mm)	Interior Dimensions* H x W x D Inches (mm)	Weight lbs. (kg)
NFC121006P	11.8 x 9.8 x 5.6 (299 x 248 x 143)	9.0 x 8.3 x 3.5 (229 x 210 x 89)	6.3 (2.8)
NFC161208P	15.7 x 11.9 x 7.9 (399 x 302 x 200)	12.3 x 10.0 x 6.0 (311 x 254 x 152)	9.0 (4.0)
NFC161608P	15.7 x 15.8 x 7.9 (399 x 401 x 200)	12.3 x 14.2 x 5.8 (311 x 362 x 146)	12.0 (5.4)
NFC201608P	19.7 x 15.8 x 7.9 (500 x 401 x 200)	16.3 x 14.2 x 5.8 (413 x 362 x 146)	13.7 (6.2)
NFC241609P	23.7 x 15.8 x 9.0 (602 x 401 x 230)	20.3 x 14.1 x 7.0 (514 x 359 x 178)	19.2 (8.7)
NFC242009P	23.7 x 19.7 x 9.0 (602 x 499 x 230)	20.5 x 18.0 x 7.1 (521 x 457 x 181)	21.9 (9.9)
NFC322412P	31.7 x 23.7 x 11.8 (805 x 602 x 300)	28.0 x 21.3 x 10.0 (711 x 540 x 254)	37.5 (17.0)

*Interior dimensions represent maximum space available for equipment.



NFC121006P



NFC161608P



NFC201608P



NFC242009P

Non-Powered with Blank Non-Metallic Equipment Mounting Plate

RF Transparent Design

The NFC Series enclosures in this section are ideal for WiFi applications. The non-metallic design of both the enclosure and equipment mounting plate will not interfere the radio's operation. In addition, mounting radios to Polyester equipment mounting plate can be done simply by using self-tapping screws.

Features:

- Polyester non-metallic equipment mounting plate
- NEMA 3, 3X and IP65 rated

Model	Exterior Dimensions H x W x D Inches (mm)	Interior Dimensions* H x W x D Inches (mm)	Weight lbs. (kg)
NFC121006M	11.8 x 9.8 x 5.6 (299 x 248 x 143)	9.0 x 8.3 x 3.5 (229 x 210 x 89)	5.9 (2.7)
NFC161208M	15.7 x 11.9 x 7.9 (399 x 302 x 200)	12.3 x 10.0 x 6.0 (311 x 254 x 152)	7.9 (3.6)
NFC161608M	15.7 x 15.8 x 7.9 (399 x 401 x 200)	12.3 x 14.2 x 5.8 (311 x 362 x 146)	10.6 (4.8)
NFC201608M	19.7 x 15.8 x 7.9 (500 x 401 x 200)	16.3 x 14.2 x 5.8 (413 x 362 x 146)	11.8 (5.4)
NFC241609M	23.7 x 15.8 x 9.0 (602 x 401 x 230)	20.3 x 14.1 x 7.0 (514 x 359 x 178)	17.2 (7.8)
NFC242009M	23.7 x 19.7 x 9.0 (602 x 499 x 230)	20.5 x 18.0 x 7.1 (521 x 457 x 181)	19.4 (8.8)
NFC322412M	31.7 x 23.7 x 11.8 (805 x 602 x 300)	28.0 x 21.3 x 10.0 (711 x 540 x 254)	31.0 (14.0)

*Interior dimensions represent maximum space available for equipment.



NFC161208M



NFC201608M



NFC241609M



NFC242009M

Non-Powered with DIN Rails

DIN Rail Enclosure

Included with this enclosure are (2) 20 gauge steel 35mm top hat DIN rails. They are easily installed to the interior of the enclosure without drilling or modification using the integral T-Slot Nut mounting system. Hardware for mounting the DIN rails is included.

Features:

- (2) 20 ga. Steel 35mm top hat DIN rails and mounting hardware
- NEMA 3, 3X and IP65 rated

Model	Exterior Dimensions H x W x D Inches (mm)	Interior Dimensions* H x W x D Inches (mm)	Weight lbs. (kg)
NFC121006-DIN	11.8 x 9.8 x 5.6 (299 x 248 x 143)	9.0 x 8.3 x 4.0 (229 x 210 x 102)	5.0 (2.3)
NFC161208-DIN	15.7 x 11.9 x 7.9 (399 x 302 x 200)	12.25 x 10.0 x 6.1 (311 x 254 x 155)	6.8 (3.1)
NFC161608-DIN	15.7 x 15.8 x 7.9 (399 x 401 x 200)	12.3 x 14.2 x 6.1 (311 x 362 x 155)	9.0 (4.1)
NFC201608-DIN	19.7 x 15.8 x 7.9 (500 x 401 x 200)	16.3 x 14.2 x 6.1 (413 x 362 x 155)	9.8 (4.4)
NFC241609-DIN	23.7 x 15.8 x 9.0 (602 x 401 x 230)	20.3 x 14.1 x 7.2 (514 x 359 x 184)	14.1 (6.4)
NFC242009-DIN	23.7 x 19.7 x 9.0 (602 x 499 x 230)	20.5 x 18.0 x 7.2 (521 x 457 x 184)	15.4 (7.0)
NFC322412-DIN	31.7 x 23.7 x 11.8 (805 x 602 x 300)	28.0 x 21.3 x 10.2 (711 x 540 x 257)	27.0 (12.2)

*Interior dimensions represent maximum space available for equipment.



NFC161208-DIN



NFC201608-DIN



NFC242009-DIN



NFC322412-DIN

Non-Powered Vented

Features:

- Two air vents with cleanable screens and rain shields to help prevent water from entering the enclosure
- NEMA 3R, 3RX and IP24 rated

Model	Exterior Dimensions H x W x D Inches (mm)	Interior Dimensions* H x W x D Inches (mm)	Weight lbs. (kg)
NFC121006V	11.8 x 9.8 x 6.9 (299 x 248 x 175)	9.0 x 8.3 x 4.0 (229 x 210 x 102)	5.4 (2.4)
NFC161208V	15.7 x 11.9 x 9.4 (399 x 302 x 239)	12.25 x 10.0 x 6.1 (311 x 254 x 155)	7.3 (3.4)
NFC161608V	15.7 x 15.8 x 9.4 (399 x 401 x 239)	12.3 x 14.2 x 6.1 (311 x 362 x 155)	9.5 (4.4)
NFC201608V	19.7 x 15.8 x 9.4 (500 x 401 x 239)	16.3 x 14.2 x 6.1 (413 x 362 x 155)	10.3 (4.7)
NFC241609V	23.7 x 15.8 x 10.6 (602 x 401 x 269)	20.3 x 14.1 x 7.2 (514 x 359 x 184)	14.6 (6.6)
NFC242009V	23.7 x 19.7 x 10.6 (602 x 499 x 269)	20.5 x 18.0 x 7.2 (521 x 457 x 184)	15.9 (7.2)
NFC322412V	31.7 x 23.7 x 13.4 (805 x 602 x 339)	28.0 x 21.3 x 10.2 (711 x 540 x 257)	27.5 (12.5)

*Interior dimensions represent maximum space available for equipment.



NFC121006V



NFC161208V



NFC201608V



NFC241609V

Non-Powered Vented with Blank Equipment Mounting Plate

Features:

- Two air vents with cleanable screens and rain shields to help prevent water from entering the enclosure
- Galvanized steel equipment mounting plate
- NEMA 3R, 3RX and IP24 rated

Model	Exterior Dimensions H x W x D Inches (mm)	Interior Dimensions* H x W x D Inches (mm)	Weight lbs. (kg)
NFC121006VP	11.8 x 9.8 x 6.9 (299 x 248 x 175)	9.0 x 8.3 x 3.5 (229 x 210 x 89)	6.7 (3.0)
NFC161208VP	15.7 x 11.9 x 9.4 (399 x 302 x 239)	12.3 x 10.0 x 6.0 (311 x 254 x 152)	9.5 (4.3)
NFC161608VP	15.7 x 15.8 x 9.4 (399 x 401 x 239)	12.3 x 14.2 x 5.8 (311 x 362 x 146)	12.5 (5.7)
NFC201608VP	19.7 x 15.8 x 9.4 (500 x 401 x 239)	16.3 x 14.2 x 5.8 (413 x 362 x 146)	14.2 (6.4)
NFC241609VP	23.7 x 15.8 x 10.6 (602 x 401 x 269)	20.3 x 14.1 x 7.0 (514 x 359 x 178)	19.7 (8.9)
NFC242009VP	23.7 x 19.7 x 10.6 (602 x 499 x 269)	20.5 x 18.0 x 7.1 (521 x 457 x 181)	22.4 (10.3)
NFC322412VP	31.7 x 23.7 x 13.4 (805 x 602 x 339)	28.0 x 21.3 x 10.0 (711 x 540 x 254)	38.0 (17.2)

*Interior dimensions represent maximum space available for equipment.



NFC121006V



NFC161208V



NFC201608V



NFC241609V

120 VAC Powered

Features:

- Galvanized steel equipment mounting plate
- Removable power module with 120VAC power outlets
- NEMA 3, 3X and IP65 rated

Model	Exterior Dimensions H x W x D Inches (mm)	Interior Dimensions* H x W x D Inches (mm)	Weight lbs. (kg)
NFC121006A1	11.8 x 9.8 x 5.6 (299 x 248 x 143)	7.2 x 8.3 x 3.5 (183 x 210 x 89)	6.7 (3.0)
NFC161208A1	15.7 x 11.9 x 7.9 (399 x 302 x 200)	10.5 x 10.2 x 6.1 (267 x 260 x 156)	9.4 (4.3)
NFC161608A1	15.7 x 15.8 x 7.9 (399 x 401 x 200)	10.6 x 14.3 x 6.1 (270 x 364 x 156)	12.4 (5.6)
NFC201608A1	19.7 x 15.8 x 7.9 (500 x 401 x 200)	14.2 x 14.2 x 6.0 (362 x 362 x 152)	14.0 (6.4)
NFC241609A1	23.7 x 15.8 x 9.0 (602 x 401 x 230)	18.5 x 14.1 x 7.2 (470 x 359 x 184)	19.6 (8.9)
NFC242009A1	23.7 x 19.7 x 9.0 (602 x 499 x 230)	17.8 x 18.0 x 7.2 (451 x 457 x 184)	22.9 (10.4)
NFC322412A1	31.7 x 23.7 x 11.8 (805 x 602 x 300)	25.6 x 21.3 x 10.1 (650 x 540 x 257)	38.5 (17.5)

*Interior dimensions represent maximum space available for equipment.



NFC121006A1



NFC201608A1



NFC242009A1



NFC322412A1

120 VAC Powered with Power Cord

Features:

- Galvanized steel equipment mounting plate
- Power module with 120VAC power outlets
- Includes 5 foot pre-wired 120VAC power cord for plug and play installation
- NEMA 3, 3X and IP65 rated

Model	Exterior Dimensions H x W x D Inches (mm)	Interior Dimensions* H x W x D Inches (mm)	Weight lbs. (kg)
NFC121006A1C	11.8 x 9.8 x 5.6 (299 x 248 x 143)	7.2 x 8.3 x 3.5 (183 x 210 x 89)	6.7 (3.0)
NFC161208A1C	15.7 x 11.9 x 7.9 (399 x 302 x 200)	10.5 x 10.2 x 6.1 (267 x 260 x 156)	9.4 (4.3)
NFC161608A1C	15.7 x 15.8 x 7.9 (399 x 401 x 200)	10.6 x 14.3 x 6.1 (270 x 364 x 156)	12.4 (5.6)
NFC201608A1C	19.7 x 15.8 x 7.9 (500 x 401 x 200)	14.2 x 14.2 x 6.0 (362 x 362 x 152)	14.0 (6.4)
NFC241609A1C	23.7 x 15.8 x 9.0 (602 x 401 x 230)	18.5 x 14.1 x 7.2 (470 x 359 x 184)	19.6 (8.9)
NFC242009A1C	23.7 x 19.7 x 9.0 (602 x 499 x 230)	17.8 x 18.0 x 7.2 (451 x 457 x 184)	22.9 (10.4)
NFC322412A1C	31.7 x 23.7 x 11.8 (805 x 602 x 300)	25.6 x 21.3 x 10.1 (650 x 540 x 257)	38.5 (17.5)

*Interior dimensions represent maximum space available for equipment.



NFC121006A1



NFC201608A1



NFC242009A1



NFC322412A1

Vented 120 VAC Powered

Features:

- Two air vents with cleanable screens and rain shields to help prevent water from entering the enclosure
- Galvanized steel equipment mounting plate
- Removable power module with 120VAC power outlets
- NEMA 3R, 3RX and IP24 rated

Model	Exterior Dimensions H x W x D Inches (mm)	Interior Dimensions* H x W x D Inches (mm)	Weight lbs. (kg)
NFC121006VA1	11.8 x 9.8 x 6.9 (299 x 248 x 175)	7.2 x 8.3 x 3.5 (183 x 210 x 89)	7.0 (3.2)
NFC161208VA1	15.7 x 11.9 x 9.4 (399 x 302 x 239)	10.5 x 10.2 x 6.1 (267 x 260 x 156)	9.9 (4.5)
NFC161608VA1	15.7 x 15.8 x 9.4 (399 x 401 x 239)	10.6 x 14.3 x 6.1 (270 x 364 x 156)	12.9 (5.9)
NFC201608VA1	19.7 x 15.8 x 9.4 (500 x 401 x 239)	14.2 x 14.2 x 6.0 (362 x 362 x 152)	14.5 (6.6)
NFC241609VA1	23.7 x 15.8 x 10.6 (602 x 401 x 269)	18.5 x 14.1 x 7.2 (470 x 359 x 184)	20.1 (9.1)
NFC242009VA1	23.7 x 19.7 x 10.6 (602 x 499 x 269)	17.8 x 18.0 x 7.2 (451 x 457 x 184)	23.4 (10.6)
NFC322412VA1	31.7 x 23.7 x 13.4 (805 x 602 x 339)	25.6 x 21.3 x 10.1 (650 x 540 x 257)	39.0 (17.7)

*Interior dimensions represent maximum space available for equipment.



NFC121006VA1



NFC161608VA1



NFC241609VA1



NFC322412VA1

Vented 120 VAC Powered with Power Cord

Features:

- Two air vents with cleanable screens and rain shields to help prevent water from entering the enclosure
- Galvanized steel equipment mounting plate
- Power module with 120VAC power outlets
- Includes 5 foot pre-wired 120VAC power cord for plug and play installation
- NEMA 3R, 3RX and IP24 rated

Model	Exterior Dimensions H x W x D Inches (mm)	Interior Dimensions* H x W x D Inches (mm)	Weight lbs. (kg)
NFC121006VA1C	11.8 x 9.8 x 6.9 (299 x 248 x 175)	7.2 x 8.3 x 3.5 (183 x 210 x 89)	7.0 (3.2)
NFC161208VA1C	15.7 x 11.9 x 9.4 (399 x 302 x 239)	10.5 x 10.2 x 6.1 (267 x 260 x 156)	9.9 (4.5)
NFC161608VA1C	15.7 x 15.8 x 9.4 (399 x 401 x 239)	10.6 x 14.3 x 6.1 (270 x 364 x 156)	12.9 (5.9)
NFC201608VA1C	19.7 x 15.8 x 9.4 (500 x 401 x 239)	14.2 x 14.2 x 6.0 (362 x 362 x 152)	14.5 (6.6)
NFC241609VA1C	23.7 x 15.8 x 10.6 (602 x 401 x 269)	18.5 x 14.1 x 7.2 (470 x 359 x 184)	20.1 (9.1)
NFC242009VA1C	23.7 x 19.7 x 10.6 (602 x 499 x 269)	17.8 x 18.0 x 7.2 (451 x 457 x 184)	23.4 (10.6)
NFC322412VA1C	31.7 x 23.7 x 13.4 (805 x 602 x 339)	25.6 x 21.3 x 10.1 (650 x 540 x 257)	39.0 (17.7)

*Interior dimensions represent maximum space available for equipment.



NFC121006VA1C



NFC161208VA1C



NFC201608VA1C



NFC242009VA1C

Vented 120 VAC Powered with Cooling Fan(s)

Features:

- Two air vents with cleanable screens and rain shields to help prevent water from entering the enclosure
- Thermostat controlled cooling fan(s) - Turns on when the internal temperature reaches 100°F (38°C) and turns off when it drops to 79°F (26°C)
- Galvanized steel equipment mounting plate
- Removable power module with 120VAC power outlets
- NEMA 3R, 3RX and IP24 rated

Model	Exterior Dimensions H x W x D Inches (mm)	Interior Dimensions* H x W x D Inches (mm)	Weight lbs. (kg)
Single Cooling Fan			
NFC121006VFA1	11.8 x 9.8 x 6.9 (299 x 248 x 175)	7.2 x 8.3 x 3.5 (183 x 210 x 89)	7.5 (3.4)
NFC161208VFA1	15.7 x 11.9 x 9.4 (399 x 302 x 239)	10.5 x 10.2 x 5.0 (267 x 260 x 127)	11.0 (5.0)
NFC161608VFA1	15.7 x 15.8 x 9.4 (399 x 401 x 239)	10.6 x 14.3 x 5.0 (270 x 364 x 127)	14.0 (6.4)
Dual Cooling Fans			
NFC201608VFA1	19.7 x 15.8 x 9.4 (500 x 401 x 239)	14.2 x 14.2 x 5.0 (362 x 362 x 127)	16.6 (7.5)
NFC241609VFA1	23.7 x 15.8 x 10.6 (602 x 401 x 269)	18.5 x 14.1 x 6.1 (470 x 359 x 156)	22.2 (10.0)
NFC242009VFA1	23.7 x 19.7 x 10.6 (602 x 499 x 269)	17.8 x 18.0 x 6.1 (451 x 457 x 156)	25.5 (11.6)
NFC322412VFA1	31.7 x 23.7 x 13.4 (805 x 602 x 339)	25.6 x 21.3 x 9.0 (650 x 540 x 229)	41.1 (18.6)

*Interior dimensions represent maximum space available for equipment.



NFC121006VFA1



NFC161608VFA1



NFC241609VFA1



NFC322412VFA1

Vented 120 VAC Powered with Cooling Fan(s) and Power Cord

Features:

- Two air vents with cleanable screens and rain shields to help prevent water from entering the enclosure
- Thermostat controlled cooling fan(s) - Turns on when the internal temperature reaches 100°F (38°C) and turns off when it drops to 79°F (26°C)
- Galvanized steel equipment mounting plate
- Power module with 120VAC power outlets & 5 foot pre-wired power cord for plug and play installation
- NEMA 3R, 3RX and IP24 rated

Model	Exterior Dimensions H x W x D Inches (mm)	Interior Dimensions* H x W x D Inches (mm)	Weight lbs. (kg)
Single Cooling Fan			
NFC121006VFA1C	11.8 x 9.8 x 6.9 (299 x 248 x 175)	7.2 x 8.3 x 3.5 (183 x 210 x 89)	7.5 (3.4)
NFC161208VFA1C	15.7 x 11.9 x 9.4 (399 x 302 x 239)	10.5 x 10.2 x 5.0 (267 x 260 x 127)	11.0 (5.0)
NFC161608VFA1C	15.7 x 15.8 x 9.4 (399 x 401 x 239)	10.6 x 14.3 x 5.0 (270 x 364 x 127)	14.0 (6.4)
Dual Cooling Fans			
NFC201608VFA1C	19.7 x 15.8 x 9.4 (500 x 401 x 239)	14.2 x 14.2 x 5.0 (362 x 362 x 127)	16.6 (7.5)
NFC241609VFA1C	23.7 x 15.8 x 10.6 (602 x 401 x 269)	18.5 x 14.1 x 6.1 (470 x 359 x 156)	22.2 (10.0)
NFC242009VFA1C	23.7 x 19.7 x 10.6 (602 x 499 x 269)	17.8 x 18.0 x 6.1 (451 x 457 x 156)	25.5 (11.6)
NFC322412VFA1C	31.7 x 23.7 x 13.4 (805 x 602 x 339)	25.6 x 21.3 x 9.0 (650 x 540 x 229)	41.1 (18.6)

*Interior dimensions represent maximum space available for equipment.



NFC121006VFA1C



NFC161608VFA1C



NFC241609VFA1C



NFC322412VFA1C

120 VAC Powered with Heating System

Features:

- Thermostat controlled 200W or 400W heating system - Turns on when the internal temperature reaches 43°F (6°C) and turns off when it rises to 59°F (15°C)
- Galvanized steel equipment mounting plate
- Removable power module with 120VAC power outlets
- NEMA 4, 4X and IP66 rated

Model	Exterior Dimensions H x W x D Inches (mm)	Interior Dimensions* H x W x D Inches (mm)	Weight lbs. (kg)
200W Heating System			
NFC161208HA1	15.7 x 11.9 x 7.9 (399 x 302 x 200)	10.5 x 10.0 x 4.5 (267 x 254 x 114)	10.3 (4.7)
NFC161608HA1	15.7 x 15.8 x 7.9 (399 x 401 x 200)	10.6 x 14.3 x 4.5 (270 x 364 x 114)	13.3 (6.0)
NFC201608HA1	19.7 x 15.8 x 7.9 (500 x 401 x 200)	14.2 x 14.2 x 4.5 (362 x 362 x 114)	14.9 (6.8)
400W Heating System			
NFC241609HA1	23.7 x 15.8 x 9.0 (602 x 401 x 230)	18.5 x 14.1 x 6.3 (470 x 359 x 159)	21.4 (9.7)
NFC242009HA1	23.7 x 19.7 x 9.0 (602 x 499 x 230)	17.8 x 18.0 x 6.3 (451 x 457 x 159)	24.7 (11.2)
NFC322412HA1	31.7 x 23.7 x 11.8 (805 x 602 x 300)	25.6 x 21.3 x 9.0 (650 x 540 x 229)	40.3 (18.3)

*Interior dimensions represent maximum space available for equipment.



NFC161208HA1



NFC201608HA1



NFC241609HA1



NFC322412HA1

120 VAC Powered with Heating System and Power Cord

Features:

- Thermostat controlled 200W or 400W heating system - Turns on when the internal temperature reaches 43°F (6°C) and turns off when it rises to 59°F (15°C)
- Galvanized steel equipment mounting plate
- Power module with 120VAC power outlets & 5 foot pre-wired power cord for plug and play installation
- NEMA 4, 4X and IP66 rated

Model	Exterior Dimensions H x W x D Inches (mm)	Interior Dimensions* H x W x D Inches (mm)	Weight lbs. (kg)
200W Heating System			
NFC161208HA1C	15.7 x 11.9 x 7.9 (399 x 302 x 200)	10.5 x 10.0 x 4.5 (267 x 254 x 114)	10.3 (4.7)
NFC161608HA1C	15.7 x 15.8 x 7.9 (399 x 401 x 200)	10.6 x 14.3 x 4.5 (270 x 364 x 114)	13.3 (6.0)
NFC201608HA1C	19.7 x 15.8 x 7.9 (500 x 401 x 200)	14.2 x 14.2 x 4.5 (362 x 362 x 114)	14.9 (6.8)
400W Heating System			
NFC241609HA1C	23.7 x 15.8 x 9.0 (602 x 401 x 230)	18.5 x 14.1 x 6.3 (470 x 359 x 159)	21.4 (9.7)
NFC242009HA1C	23.7 x 19.7 x 9.0 (602 x 499 x 230)	17.8 x 18.0 x 6.3 (451 x 457 x 159)	24.7 (11.2)
NFC322412HA1C	31.7 x 23.7 x 11.8 (805 x 602 x 300)	25.6 x 21.3 x 9.0 (650 x 540 x 229)	40.3 (18.3)

*Interior dimensions represent maximum space available for equipment.



NFC161208HA1C



NFC201608HA1C



NFC242009HA1C



NFC322412HA1C

Insulated 120 VAC Powered with Heating System

Overview

Altelix Insulated NEMA Enclosures are designed for extreme cold and hot environments. These enclosures feature 1/2" (12.7mm) thick insulation bonded to all interior sides of the enclosure.

Features:

- Thermostat controlled 200W or 400W heating system - Turns on when the internal temperature reaches 43°F (6°C) and turns off when it rises to 59°F (15°C)
- Galvanized steel equipment mounting plate with removable power module with 120VAC power outlets
- NEMA 4, 4X and IP66 rated

Model	Exterior Dimensions H x W x D Inches (mm)	Interior Dimensions* H x W x D Inches (mm)	Weight lbs. (kg)
200W Heating System			
NFC161208HA1-Z	15.7 x 11.9 x 7.9 (399 x 302 x 200)	10.0 x 10.0 x 4.5 (254 x 254 x 114)	10.3 (4.7)
NFC161608HA1-Z	15.7 x 15.8 x 7.9 (399 x 401 x 200)	10.1 x 14.3 x 4.5 (257 x 364 x 114)	13.3 (6.0)
NFC201608HA1-Z	19.7 x 15.8 x 7.9 (500 x 401 x 200)	13.7 x 14.2 x 4.5 (348 x 362 x 114)	14.9 (6.8)
400W Heating System			
NFC241609HA1-Z	23.7 x 15.8 x 9.0 (602 x 401 x 230)	18.0 x 14.1 x 6.3 (457 x 359 x 159)	21.4 (9.7)
NFC242009HA1-Z	23.7 x 19.7 x 9.0 (602 x 499 x 230)	17.3 x 18.0 x 6.3 (439 x 457 x 159)	24.7 (11.2)
NFC322412HA1-Z	31.7 x 23.7 x 11.8 (805 x 602 x 300)	25.1 x 21.3 x 9.0 (637 x 540 x 229)	40.3 (18.3)

*Interior dimensions represent maximum space available for equipment.



NFC161208HA1-Z



NFC322412HA1-Z

120 VAC Powered with Cooling Fans & Heating System

Features:

- Two air vents with cleanable screens and rain shields to help prevent water from entering the enclosure
- Thermostat controlled cooling fan(s) - Turns on when the internal temperature reaches 100°F (38°C) and turns off when it drops to 79°F (26°C)
- Thermostat controlled 200W or 400W heating system - Turns on when the internal temperature reaches 43°F (6°C) and turns off when it rises to 59°F (15°C)
- Galvanized steel equipment mounting plate with removable power module & 120VAC power outlets
- NEMA 3R, 3RX and IP24 rated

Model	Exterior Dimensions H x W x D Inches (mm)	Interior Dimensions* H x W x D Inches (mm)	Weight lbs. (kg)
Single Fan and 200W Heating System			
NFC161208VFHA1	15.7 x 11.9 x 9.4 (399 x 302 x 239)	10.5 x 10.0 x 3.8 (267 x 254 x 95)	11.4 (5.2)
NFC161608VFHA1	15.7 x 15.8 x 9.4 (399 x 401 x 239)	10.6 x 14.3 x 3.8 (270 x 364 x 95)	14.4 (6.5)
Dual Fans and 200W Heating System			
NFC201608VFHA1	19.7 x 15.8 x 9.4 (500 x 401 x 239)	14.2 x 14.2 x 4.3 (362 x 362 x 108)	17.0 (7.7)
Dual Fans and 400W Heating System			
NFC241609VFHA1	23.7 x 15.8 x 10.6 (602 x 401 x 269)	18.5 x 14.1 x 5.0 (470 x 359 x 127)	23.5 (10.7)
NFC242009VFHA1	23.7 x 19.7 x 10.6 (602 x 499 x 269)	17.8 x 18.0 x 5.0 (451 x 457 x 127)	26.8 (12.2)
NFC322412VFHA1	31.7 x 23.7 x 13.4 (805 x 602 x 339)	25.6 x 21.3 x 7.4 (650 x 540 x 188)	42.4 (19.2)

*Interior dimensions represent maximum space available for equipment.



NFC161208VFHA1



NFC201608VFHA1



NFC241609VFHA1



NFC322412VFHA1

120 VAC Powered with Cooling Fans, Heating System and Power Cord

Features:

- Two air vents with cleanable screens and rain shields to help prevent water from entering the enclosure
- Thermostat controlled cooling fan(s) - Turns on when the internal temperature reaches 100°F (38°C) and turns off when it drops to 79°F (26°C)
- Thermostat controlled 200W or 400W heating system - Turns on when the internal temperature reaches 43°F (6°C) and turns off when it rises to 59°F (15°C)
- Galvanized steel equipment mounting plate
- Power module with 120VAC power outlets & 5 foot pre-wired power cord for plug and play installation
- NEMA 3R, 3RX and IP24 rated

Model	Exterior Dimensions H x W x D Inches (mm)	Interior Dimensions* H x W x D Inches (mm)	Weight lbs. (kg)
Single Fan and 200W Heating System			
NFC161208VFHA1C	15.7 x 11.9 x 9.4 (399 x 302 x 239)	10.0 x 10.0 x 3.8 (254 x 254 x 95)	11.4 (5.2)
NFC161608VFHA1C	15.7 x 15.8 x 9.4 (399 x 401 x 239)	10.1 x 14.3 x 3.8 (270 x 364 x 95)	14.4 (6.5)
Dual Fans and 200W Heating System			
NFC201608VFHA1C	19.7 x 15.8 x 9.4 (500 x 401 x 239)	14.2 x 14.2 x 4.3 (362 x 362 x 108)	17.0 (7.7)
Dual Fans and 400W Heating System			
NFC241609VFHA1C	23.7 x 15.8 x 10.6 (602 x 401 x 269)	18.5 x 14.1 x 5.0 (470 x 359 x 127)	23.5 (10.7)
NFC242009VFHA1C	23.7 x 19.7 x 10.6 (602 x 499 x 269)	17.8 x 18.0 x 5.0 (451 x 457 x 127)	26.8 (12.2)
NFC322412VFHA1C	31.7 x 23.7 x 13.4 (805 x 602 x 339)	25.6 x 21.3 x 7.4 (650 x 540 x 188)	42.4 (19.2)

*Interior dimensions represent maximum space available for equipment.



NFC161208VFHA1C



NFC241609VFHA1C



NFC242009VFHA1C



NFC322412VFHA1C

Insulated 120 VAC Powered with Cooling Fans & Heating System

Overview

Altelix Insulated NEMA Enclosures are designed for extreme cold and hot environments. These enclosures feature 1/2" (12.7mm) thick insulation bonded to all interior sides of the enclosure.

Features:

- Two air vents with cleanable screens and rain shields to help prevent water from entering the enclosure
- Thermostat controlled cooling fan(s) - Turns on when the internal temperature reaches 100°F (38°C) and turns off when it drops to 79°F (26°C)
- Thermostat controlled 200W or 400W heating system - Turns on when the internal temperature reaches 43°F (6°C) and turns off when it rises to 59°F (15°C)
- Galvanized steel equipment mounting plate with removable power module & 120VAC power outlets
- NEMA 3R, 3RX and IP24 rated

Model	Exterior Dimensions H x W x D Inches (mm)	Interior Dimensions* H x W x D Inches (mm)	Weight lbs. (kg)
Single Fan and 200W Heating System			
NFC161208VFHA1	15.7 x 11.9 x 9.4 (399 x 302 x 239)	10.5 x 10.0 x 3.8 (267 x 254 x 95)	11.4 (5.2)
NFC161608VFHA1	15.7 x 15.8 x 9.4 (399 x 401 x 239)	10.6 x 14.3 x 3.8 (257 x 364 x 95)	14.4 (6.5)
Dual Fans and 200W Heating System			
NFC201608VFHA1	19.7 x 15.8 x 9.4 (500 x 401 x 239)	13.7 x 14.2 x 4.3 (348 x 362 x 108)	17.0 (7.7)
Dual Fans and 400W Heating System			
NFC241609VFHA1	23.7 x 15.8 x 10.6 (602 x 401 x 269)	18.0 x 14.1 x 5.0 (457 x 359 x 127)	23.5 (10.7)
NFC242009VFHA1	23.7 x 19.7 x 10.6 (602 x 499 x 269)	17.3 x 18.0 x 5.0 (439 x 457 x 127)	26.8 (12.2)
NFC322412VFHA1	31.7 x 23.7 x 13.4 (805 x 602 x 339)	25.1 x 21.3 x 7.4 (637 x 540 x 188)	42.4 (19.2)

*Interior dimensions represent maximum space available for equipment.



NFC161608VFHA1-Z



NFC322412VFHA1-Z

NEMA 3X Emergency Phone Call Box

Overview

The Altelix NFC121006-T01 Outdoor Weatherproof Phone Call Box is ideal for deploying emergency telephones and service phones in outdoor locations and harsh environments. This model features a standard wall mount RJ11 jack. A cable grommet is provided on the side of the box for the telephone wire. For installations that require better protection from water, a waterproof cable gland is included in the accessory kit. The NFC121006-T01 can be purchased with or without labels. Standard label options include an Emergency Phone Label or a Service Phone label.

Features:

- Includes RJ11 wall mount jack
- Optional pole mounting kit available
- Available with Service or Emergency Phone labels
- NEMA 3, 3x and IP65 rated



Model	Label	Exterior Dimensions H x W x D Inches (mm)	Max. Interior Dimensions H x W x D Inches (mm)	Weight lbs. (kg)
NFC121006-T01-1 NFC121006-T01-2	Emergency Service	11.8 x 9.8 x 5.6 (299 x 248 x 143)	9.0 x 8.3 x 4.0 (229 x 210 x 102)	5.0 (2.3)

NFC Accessories

NFC Replacement Keys and Keyed Lock Sets

Model	Description
HN-0001	Keyed Lock Set
HN-0003	Replacement Door Key



HN-0001



HN-0003

NMK Pole Mount Kits for NFC Series Enclosures

Overview

The Altelix **NMK** Pole Mount Kits easily attach to the rear of the NFC series enclosures. The included adjustable stainless steel bands allow the enclosures to be mounted to poles up to 8 inches (203.2 mm) in diameter. For larger diameter poles (such as telephone poles), the standard bands can be switched out for longer ones. The mounting bracket itself features multiple locations to thread the bands so that small to large poles can be accommodated.

Kits Include:

- Heavy duty steel mounting plate
- (2) Stainless steel adjustable bands



Model	For Use With	Mounting Plate Material
NMKS-250-08	NFC121006	Painted Steel
NMKX-250-08	NFC121006	Stainless Steel
NMKS-300-08	NFC161208	Painted Steel
NMKX-300-08	NFC161208	Stainless Steel
NMKS-400-08	NFC161608, NFC201608 & NFC241609	Painted Steel
NMKX-400-08	NFC161608, NFC201608 & NFC241609	Stainless Steel
NMKS-500-08	NFC242009	Painted Steel
NMKX-500-08	NFC242009	Stainless Steel
NMKS-600-08	NFC322412	Painted Steel
NMKX-600-08	NFC322412	Stainless Steel

DRS 35mm Top Hat DIN Rail Kits

Overview

The **DRS** Series are 35mm Top Hat DIN Rail Kit for use with the Altelix NFC Series enclosures. The kits consist of a 20 gauge steel 35mm top hat DIN rail and two sets of T-Slot nuts with washers and screws. This DIN rail kits easily mounts into the NFC enclosures using the internal T-Slot nut mounting system in the enclosure.



Model	For Use With
DRS-NFC10	NFC121006
DRS-NFC12	NFC161208
DRS-NFC16	NFC161608, NFC201608 & NFC241609
DRS-NFC20	NFC242009
DRS-NFC24	NFC322412

Replacement Equipment Mounting Plates		
Model	For Use With	Equipment Mounting Plate Material
NHP1210P-00	NFC121006	0.12 inch (3.0 mm) White Polyester
NHP1210S-00	NFC121006	16 Gauge Galvanized Steel
NHP1612P-00	NFC161208	0.12 inch (3.0 mm) White Polyester
NHP1612S-00	NFC161208	16 Gauge Galvanized Steel
NHP1616P-00	NFC161608	0.12 inch (3.0 mm) White Polyester
NHP1616S-00	NFC161608	16 Gauge Galvanized Steel
NHP2016P-00	NFC201608	0.12 inch (3.0 mm) White Polyester
NHP2016S-00	NFC201608	16 Gauge Galvanized Steel
NHP2416P-00	NFC241609	0.16 inch (4.0 mm) White Polyester
NHP2416S-00	NFC241609	16 Gauge Galvanized Steel
NHP2420P-00	NFC242009	0.16 inch (4.0 mm) White Polyester
NHP2420S-00	NFC242009	16 Gauge Galvanized Steel
NHP3224P-00	NFC322412	0.16 inch (4.0 mm) White Polyester
NHP3224S-00	NFC322412	16 Gauge Galvanized Steel



NHP2416P-00
Non-Metallic Equipment Mounting Plate



NHP2416S-00
Galvanized Steel Equipment Mounting Plate

Inner Door / Dead Panels for NFC Enclosures

Overview

The NHD Series Steel Inner Door / Dead Panels are designed for use with the Altelix NFC series enclosures. They are constructed from rugged 0.05" (1.2mm) sheet steel and feature an epoxy polyester powder coat textured finish. Easy to install, these panels are ideal for use to mount hydraulic or pneumatic controls and instruments, electrical equipment, industrial controllers as well as providing a second level of protection for equipment mounted inside the enclosure. This panel includes quarter-turn latch with a removable key.



Enclosure Sold Separately

Model	For Use With
NHD-1612	NFC161208
NHD-1616	NFC161608
NHD-2016	NFC201608
NHD-2416	NFC241609
NHD-2420	NFC242009
NHD-3224	NFC322412



NHD-1616 Mounted in a NFC161608 Enclosure
(Enclosure Sold Separately)