



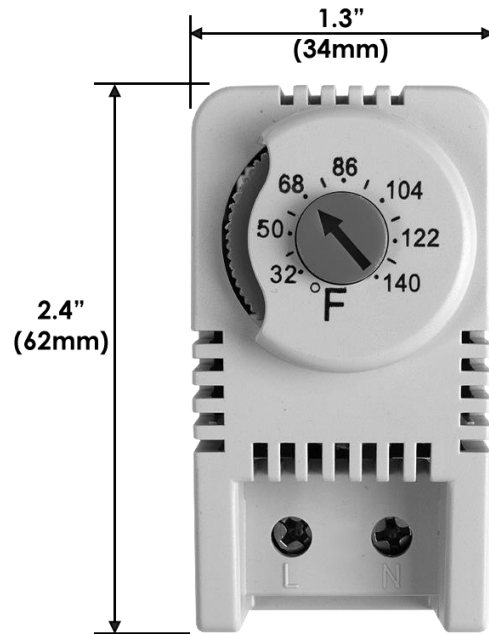
**NHTU-DIN**  
Normally Open



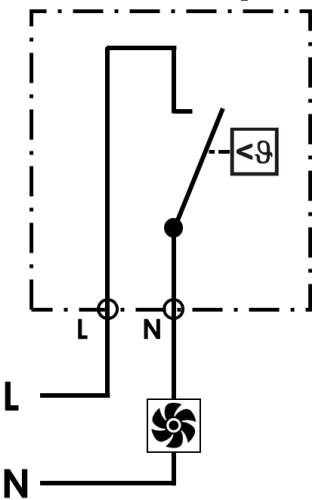
**NHTC-DIN**  
Normally Closed

### Features

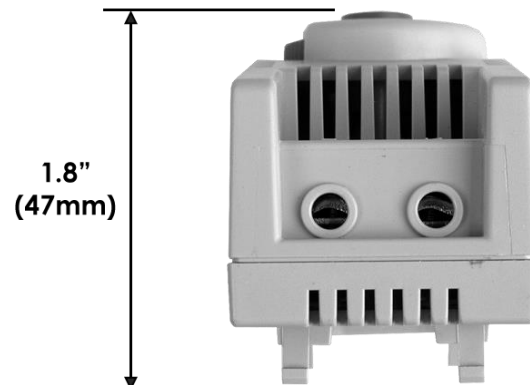
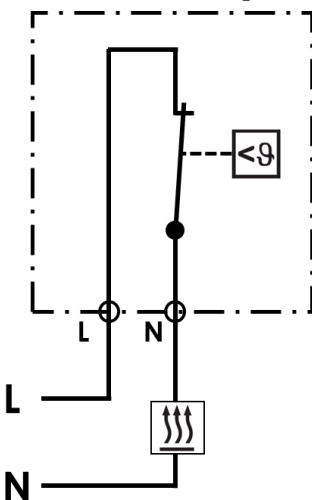
- Large setting range – 32°F to +140°F (0°C to 60°C)
- Easy to read dial in Fahrenheit
- Color coded temperature dials
- Mounts to 35mm Top Hat DIN Rail
- Compact size



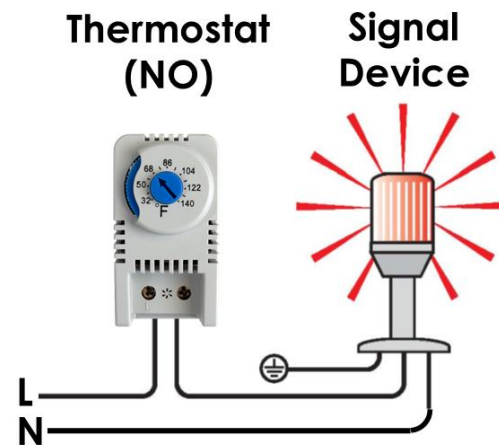
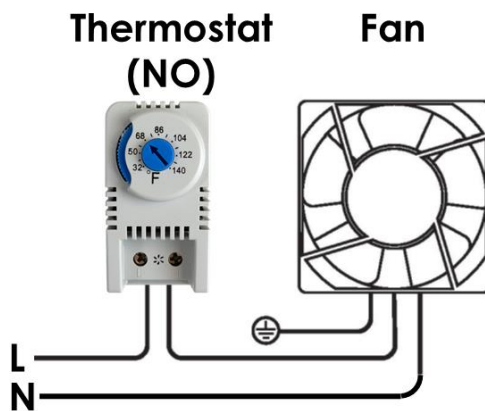
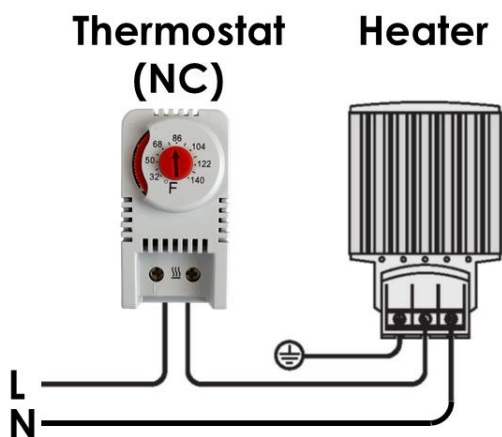
**Thermostat (NO)**



**Thermostat (NC)**



## Application Examples



## Specifications

<b>Model Numbers</b>	NHTU-DIN (Normally Open) NHTC-DIN (Normally Closed)
<b>Mounting</b>	35mm DIN Rail
<b>Switching Capacity (Max Load)</b>	10 (2) A @ 120 VAC 15 (2) A @ 250 VAC
<b>Sensor Element</b>	Thermostatic Bi-Metal
<b>Temperature Control Range</b>	-32°F to +140°F (0°C to +60°C)
<b>Dimensions</b>	1.3 x 2.4 x 1.8 inches (34 x 62 x 47 mm)
<b>Service Life</b>	> 100,000 Cycles
<b>Connection</b>	2-Pole Terminal for AWG 14 Max.
<b>Operating/Storage Temperature</b>	-4°F to 176°F (-20°C to 80°C)
<b>Housing</b>	Plastic, UL94V Light Gray