



## Features

- Integral Gigabit PoE/PoE+ Repeater/Power Splitter which provides power+data for up to (2) PoE devices
- Dual PoE powered thermostat controlled DC cooling fans
- Designed for ceiling mount applications
- Durable Polycarbonate + ABS construction, weatherproof and UV stable
- Meets NEMA 3R, 3RX and IP24
- Gasketed lid with dual stainless steel latches
- Tamper-Proof locking screw with key and provision for padlock
- Features a No-Drill Non-Metallic equipment mounting plate
- RF transparent for wireless devices
- Pre-installed 5-Port cable gland for use with pre-terminated Ethernet cables
- Includes (2) locking keys, cable grommets, cable glands, zip ties, hook-n-loop tape and wall mounting hardware
- Optional mounting kits available

## Description

---

The **Altelix NP171407CVMFE1 Ceiling Mount PoE Enclosure** is ideal for protecting Power-Over-Ethernet (PoE) enabled equipment from harsh environments. Using a single Ethernet cable to provide power and data, this enclosure can be installed in remote ceiling locations with no power outlets available.

**Designed for Ceiling Mount Applications** - The NP171407CVMFE1 is intended for installation on ceilings in settings such as industrial facilities, commercial buildings, or institutional environments. It can be attached to a wide range of ceiling structures. Optional pole mount kits are also available to mount the enclosure to overhead pipes or truss systems.

**Cooling Fan Ventilation** - To help manage internal temperatures due to increased heat typical in ceiling environments, the NP171407CVMFE1 features dual thermostat controlled PoE powered DC cooling fans. The low noise, high airflow fans help maintain lower internal temperatures. Downward facing vent shrouds on the side of the enclosure help prevent water and falling debris from entering.

**Integral Gigabit PoE/PoE+ Repeater / Power Splitter** - Featured in this enclosure is an integral Gigabit PoE repeater/power splitter mounted to the equipment mounting plate. This Gigabit PoE splitter is used to power the thermostat controlled DC cooling fans as well as providing data+power to one or two PoE enabled devices installed inside the enclosure. The PoE splitter is compatible with IEEE 802.3af/at standards and features 10/100/1000Mbps data speeds.

**No-Drill Non-Metallic Equipment Plate** - This enclosure includes a no-drill non-metallic 1/4" thick PVC equipment mounting plate. Due to the "No-Drill" design of this plate, mounting radios and other equipment can be done simply by using self-tapping screws.

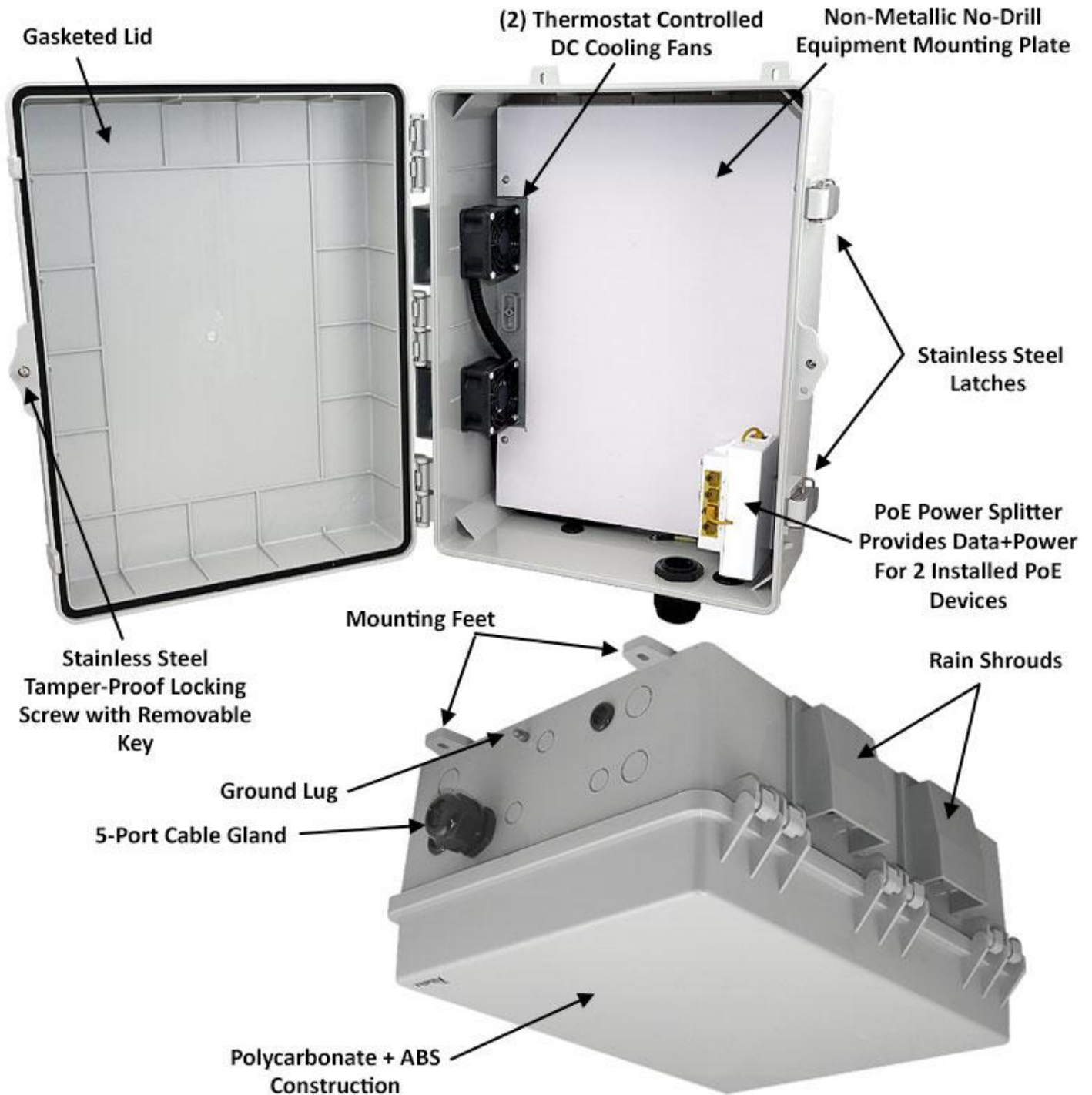
**RF Transparent Design** - Ideal for WiFi applications, the non-metallic design of the enclosure and equipment mounting plate will not interfere with the radio's operation.

**Secure Your Equipment** - These NP series enclosures feature a gasketed lid with dual stainless steel quick release latches. A stainless steel security screw with keys and a provision for a padlock are also provided.

**Polycarbonate + ABS Protection Built to Last** - This enclosure is molded out of UV resistant Polycarbonate + ABS, an industrial grade plastic with greater strength and durability than standard ABS. This enclosure can be easily drilled and modified by the installer to suit unique site requirements.

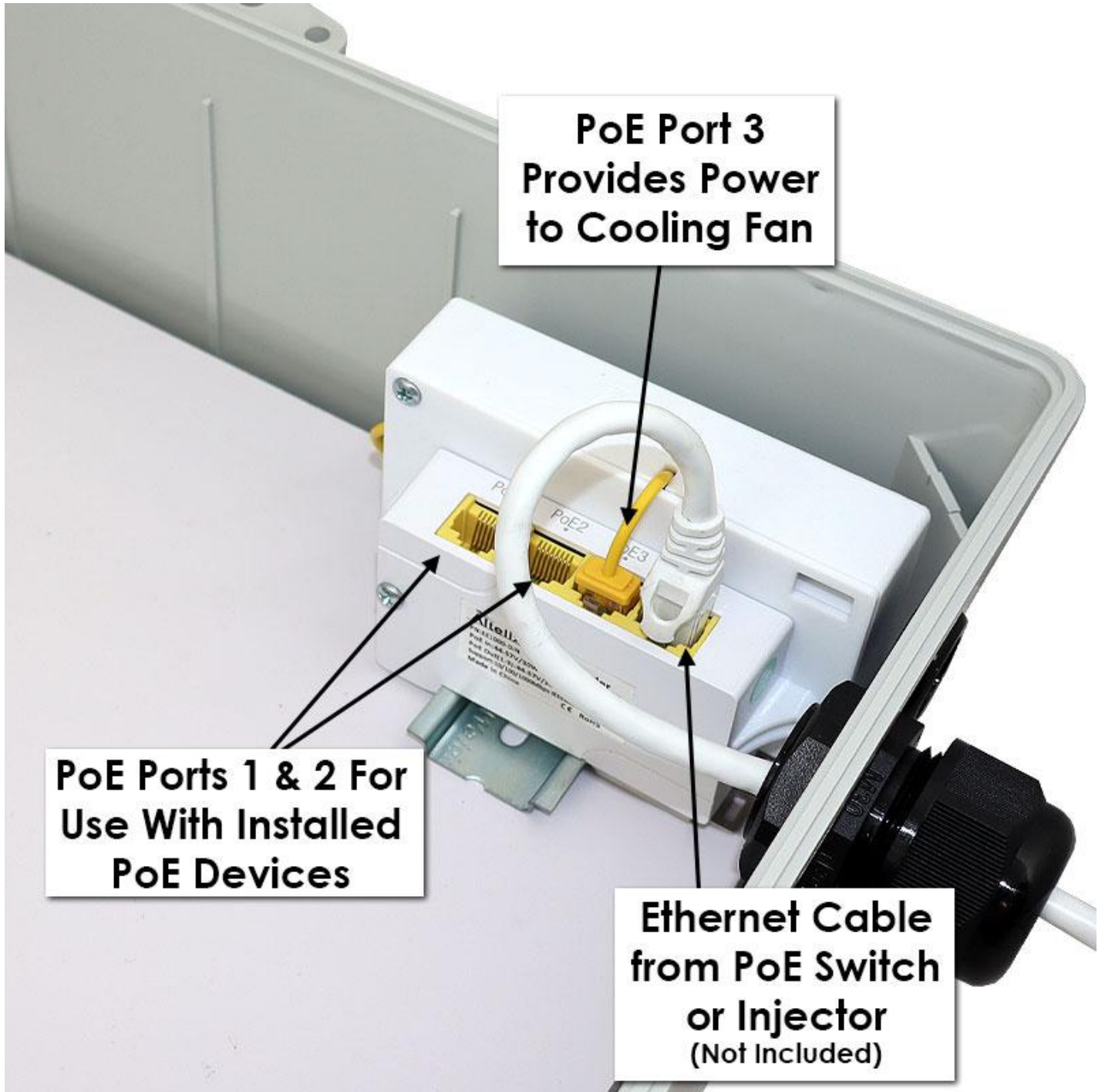
**Complete with Cable Grommets and Wire Management Accessories** - This enclosure includes an assortment of cable grommets and cable glands that can be installed in the knock-out holes for a weather resistant seal. Also included in the accessory kit are wall anchors, zip ties, wire management loops, hook-n-loop tape, ground wire, (2) door locking keys and more.

## Product Photos



**Product Photos**

---

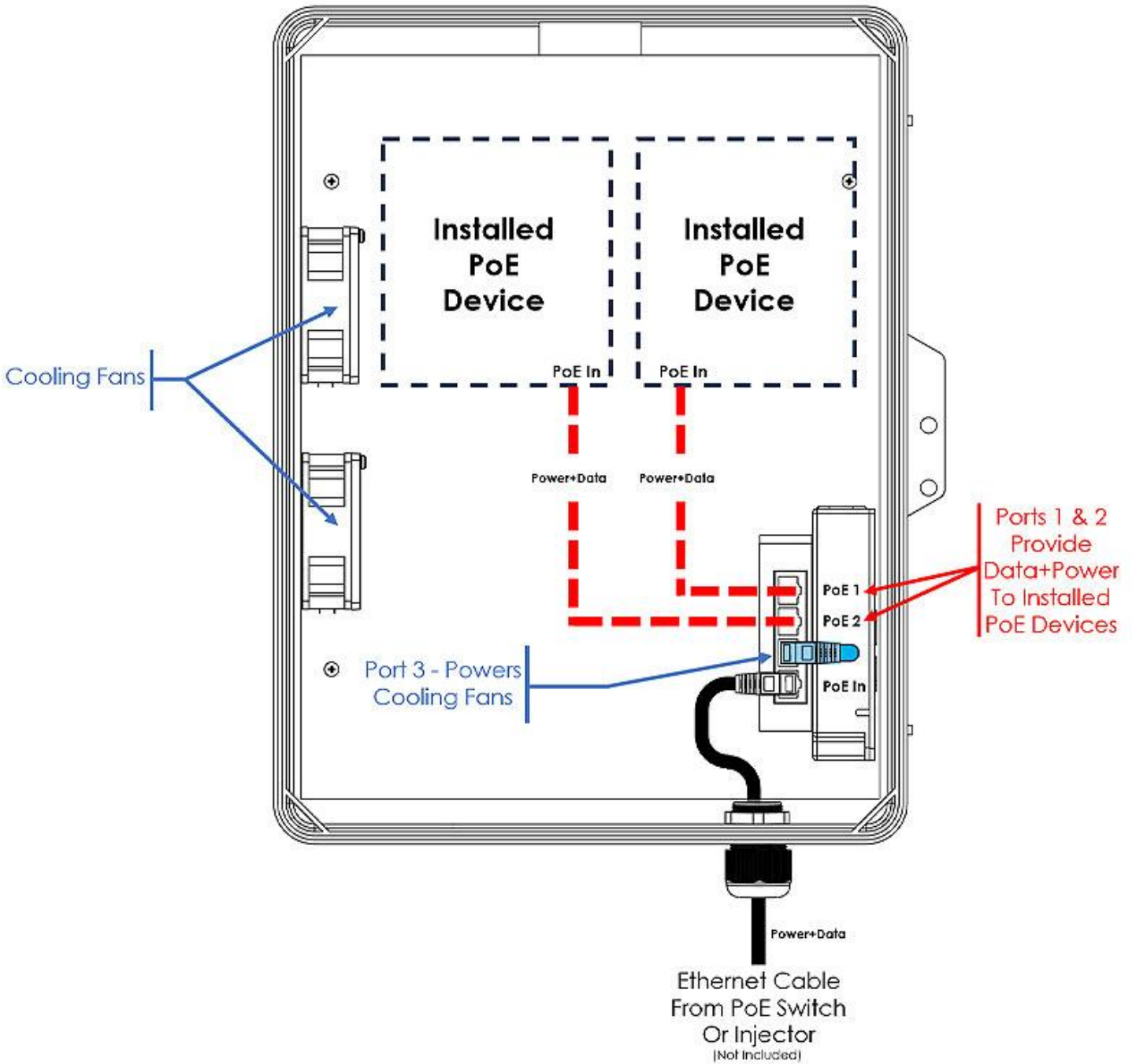


## Product Photos

---



# Wiring Diagram



## Specifications

---

<b>Material</b>	PC+ABS Polycarbonate / ABS Blend
<b>Color</b>	Gray
<b>Cooling Fan Turn-On Temperature</b>	100°F (38°C) ±6°F
<b>Cooling Fan Turn-Off Temperature</b>	79°F (26°C) ±9°F
<b>PoE Voltage</b>	44-57 VDC
<b>PoE Input Power</b>	30W Max.
<b>PoE Output Power</b>	24W Max., Average 8W Per Port
<b>Data Speed</b>	10/100/1000 Mbps
<b>PoE Protocol</b>	IEEE 802.3at (30W), IEEE 802.3af (15.4W)
<b>PoE Pinouts</b>	Pins 1/2 (-) Pins 3/3 (+) Pins 4/5 (+) Pins 7/8 (-)
<b>Outer Dimensions</b> (Height x Width x Depth)	17.1 x 13.6 x 7.3 Inches (435 x 347 x 184 mm)
<b>Inner Dimensions*</b> (Height x Width x Depth)	11.8 x 9 x 5.9 inches (299 x 228 x 149 mm)
<b>Mounting Plate Material</b>	0.40 In. (10 mm) PVC
<b>Weight</b>	7.2 lbs. (3.3 kg)
<b>Ratings</b>	NEMA Type 3R, 3RX / IP24
<b>Flame Rating</b>	Meets UL94-V0
<b>Industry Certifications</b>	CE
<b>Knockout Sizes (Diameter)</b>	(3) 0.62 in. (16 mm) (4) 1.02 in. (26 mm) (1) 1.30 in. (33 mm)

\*See drawing for detailed dimensions of maximum space available for equipment.