

Indoor / Outdoor Protection for your Audio / Video Equipment

SONOS® AMP, Amazon Echo® Link Amp and Apple TV® Not Included



Altelix

SONOS® and Connect:Amp™ are trademarks or registered trademarks of SONOS, Inc. Apple TV® is a trademark or registered trademark of Apple, Inc. Amazon Echo® is a trademark or registered trademark of Amazon.com, Inc.

Overview

The **Altelix NP17AV Series** are fan-cooled enclosures designed to provide indoor or outdoor protection for a wide range of Audio/Video devices.

Install your Audio/Video Equipment Securely in Unattended Areas

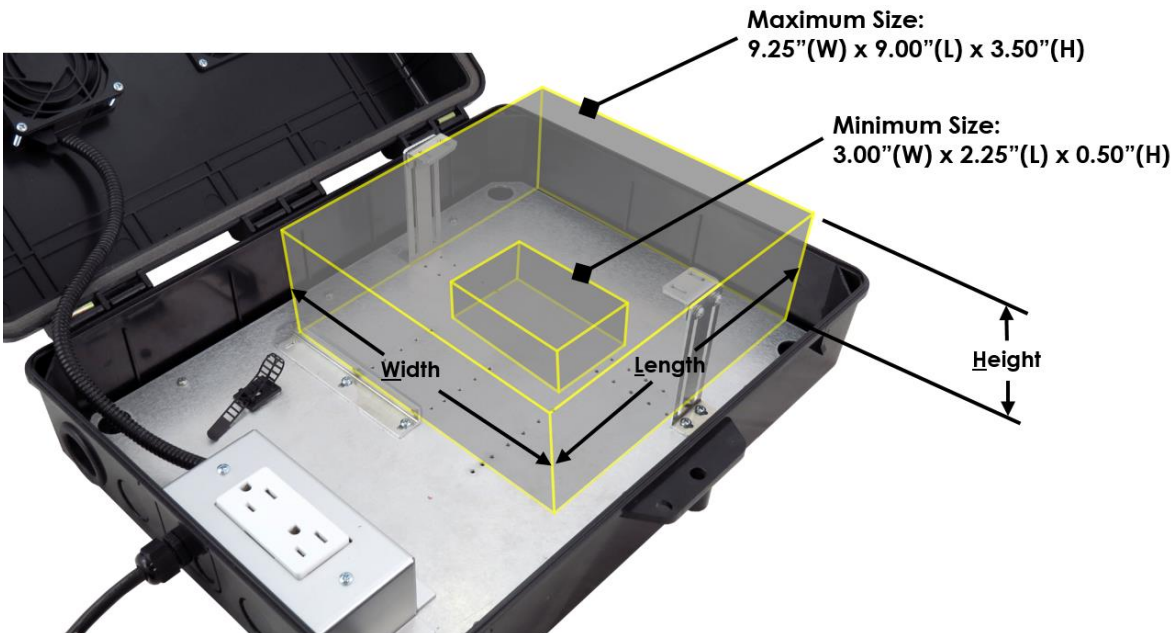
This sleek enclosure is molded from UV resistant PC+ABS, a high tech thermoplastic blend of polycarbonate and ABS, for extreme durability. The door features reinforced hinges, dual latches and a tamper-proof locking screw with key to secure the enclosure. The wall mounting screws are concealed securely within the enclosure to prevent tampering. There is also a provision for a padlock.

Universal Mounting System

The NP17AV enclosures feature a versatile adjustable mounting system that allows a wide range of devices to be installed inside of the enclosure. Some of these devices include:

- SONOS® AMP
- SONOS® Connect:Amp™
- Apple TV® and Apple Mac mini®
- Amazon Echo® Link Amp
- Control4® EA-3 Controller (C4-EA3 and C4-EA3-V2)
- Crestron® MC3 3-Series Control System®

The following illustration shows the minimum and maximum size of devices that can be installed inside the enclosure.



Plug and Play Setup

The NP17AV enclosure provides easy plug-n-play installation. Once your equipment is securely mounted inside the enclosure, connect its power cord to the internal 120VAC power outlet. A cable grommet on the enclosure allows cables to be connected to the device. Simply plug the enclosure's 5 foot power cord into an outdoor outlet and you are up and running.

SONOS® and Connect:Amp™ are trademarks or registered trademarks of SONOS, Inc. Apple TV® and Mac mini® are trademarks or registered trademarks of Apple, Inc. Amazon Echo® is a trademark or registered trademark of Amazon.com, Inc. Control4® is a trademark or registered trademark of Control4 Corporation. Crestron® and MC3 3-Series Control System® are trademarks or registered trademarks of Crestron Electronics, Inc.

Altelix LLC USA: 866-660-WIFI (9434) +1 561-660-9434 sales@altelix.com www.altelix.com

Copyright (C) 2017 Altelix LLC. All rights reserved. Altelix and the Altelix logo are Trademarks and/or Registered Trademarks of Altelix LLC.

Specifications are subject to change without notice. See www.altelix.com for most current information.

DS_NP17AV_SERIES Rev F 05/11/21

Cooling Fan Ventilation

The NP17AV enclosure features dual 3" vents and a thermostat controlled cooling fan. The low noise, high airflow fan helps maintain lower internal temperatures. The fan turns on when the internal temperature reaches 100°F (38°C) and turns off when it drops to 79°F (26°C). The fan is wired internally so it does not require the use of the AC outlets. Rain shrouds on the front door keep rain water from entering the enclosure.

Mounting

These enclosures can be wall mounted using the included wall anchors. An optional pole mount kit (NMK-0001) is also available for mounting on poles or fence posts.

Three Colors to Choose From

The NP17AV Enclosure is available in the following colors; Black and Gray. Note: The black enclosure is not recommended for constant direct sunlight installations due to excessive heat.

Optional USB Charging Ports

Available as an option, the NP17AV can be purchased with (2) Type-A USB charging ports. These 5VDC USB ports are integrated into the 120VAC outlet, so no additional room in the enclosure is required. Note: these ports used to power/charge electronic devices only, no data transfer capability.

Features:

- Dual 3" Vents and Thermostat Controlled Cooling Fan
- PC+ABS Polycarbonate / ABS Blend
- Gasketed Lid with Tamper-Proof Locking Screw
- Dual Door Latches
- Includes Rugged Aluminum Equipment Mounting Plate and Adjustable Brackets
- Internal 120VAC Outlets
- Pre-wired 5 foot power cord
- NEMA Type 3R, 3RX / IP24 Rated
- Includes Wall Mount Hardware and Cable Grommets

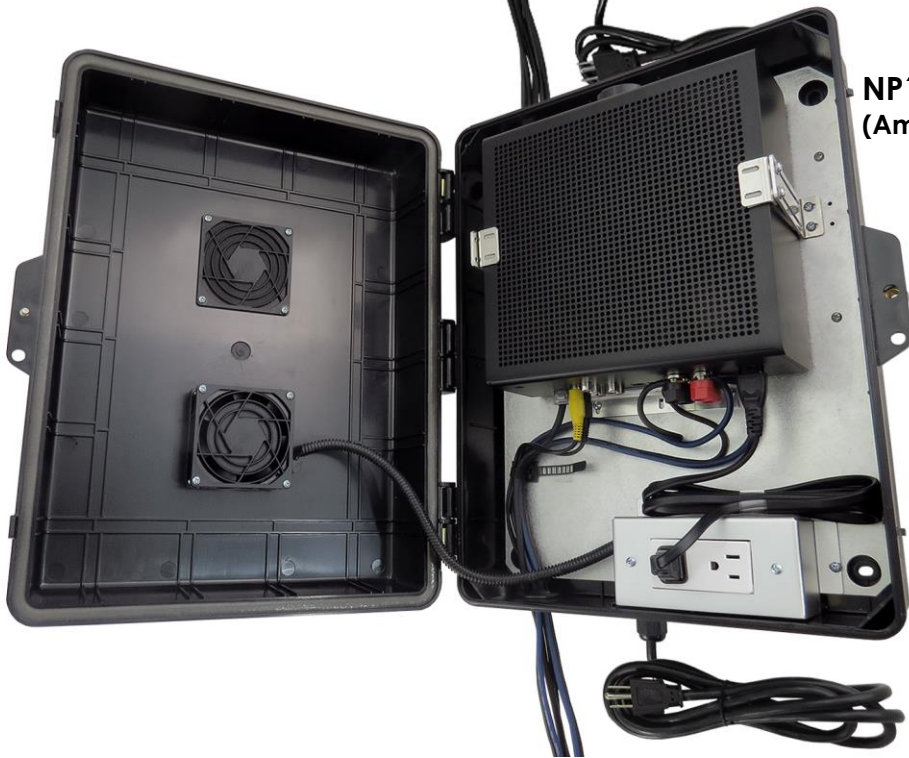
Applications:

- Outdoor or indoor use of Audio/Video & Network Devices
- SONOS® AMP
- SONOS® Connect:Amp™
- Apple TV®
- Apple Mac mini®
- Amazon Echo® Link Amp
- Control4® EA-3 Controller (C4-EA3 and C4-EA3-V2)
- Crestron® MC3 3-Series Control System®
- Pool side, backyard audio/video entertainment systems
- Outdoor hotel and hospitality audio/video entertainment systems
- Marine audio entertainment systems
- Protection of Equipment from Theft or Damage

SONOS® and Connect:Amp™ are trademarks or registered trademarks of SONOS, Inc. Apple TV® and Mac mini® are trademarks or registered trademarks of Apple, Inc. Amazon Echo® is a trademark or registered trademark of Amazon.com, Inc. Control4® is a trademark or registered trademark of Control4 Corporation. Crestron® and MC3 3-Series Control System® are trademarks or registered trademarks of Crestron Electronics, Inc.



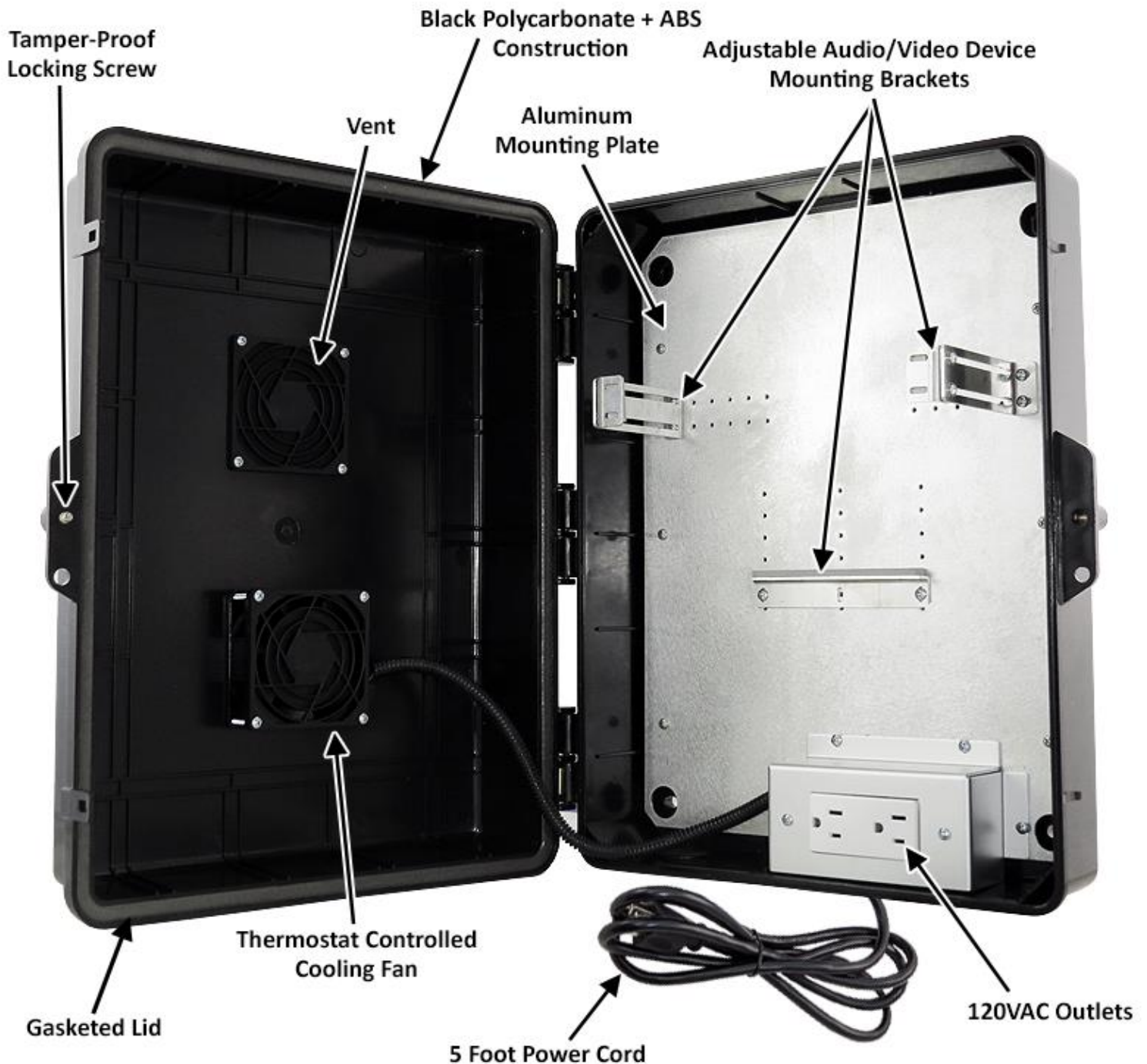
NP17AVGY with SONOS® AMP
(SONOS® Amp Not Included)



NP17AVBK with Amazon Echo® Link Amp
(Amazon Echo® Link Amp Not Included)

SONOS® and Connect:AmP™ are trademarks or registered trademarks of SONOS, Inc. Apple TV® and Mac mini® are trademarks or registered trademarks of Apple, Inc. Amazon Echo® is a trademark or registered trademark of Amazon.com, Inc. Control4® is a trademark or registered trademark of Control4 Corporation. Crestron® and MC3 3-Series Control System® are trademarks or registered trademarks of Crestron Electronics, Inc.

Features



Model Shown: NP17AVBK

SONOS® and Connect:Amp™ are trademarks or registered trademarks of SONOS, Inc. Apple TV® and Mac mini® are trademarks or registered trademarks of Apple, Inc. Amazon Echo® is a trademark or registered trademark of Amazon.com, Inc. Control4® is a trademark or registered trademark of Control4 Corporation. Crestron® and MC3 3-Series Control System® are trademarks or registered trademarks of Crestron Electronics, Inc.

Color Options





Enclosures Models		
Model	Color	Description
NP17AVBK	Black	Enclosures with 120VAC Outlets, 5 Foot Power Cord, Thermostat Controlled Cooling Fan and Rain Shields on Front Door
NP17AVGY	Gray	

SONOS® and Connect:Amp™ are trademarks or registered trademarks of SONOS, Inc. Apple TV® and Mac mini® are trademarks or registered trademarks of Apple, Inc. Amazon Echo® is a trademark or registered trademark of Amazon.com, Inc. Control4® is a trademark or registered trademark of Control4 Corporation. Crestron® and MC3 3-Series Control System® are trademarks or registered trademarks of Crestron Electronics, Inc.

Specifications

Material	PC+ABS Polycarbonate / ABS Blend
Voltage	120VAC
Cooling Fan Turn-On Temperature	100°F (38°C)
Cooling Fan Turn-Off Temperature	79°F (26°C)
Outer Dimensions	16.5 x 12.5 x 5.3 Inches (420 x 320 x 133mm)
Inner Equipment Space Dimensions	11.5 x 9.0 x 3.2 Inches (292 x 228.6 x 134.2mm)
Amplifier Mounting Plate Material	0.08 in. (2.0mm) Aluminum
Weight	6.8 lbs. (3.0 kg)
Power Cord Length	5 Feet (1.5m)
Ratings	NEMA
Flame Ratings	Meets UL94-V0

Accessories

Indoor Enclosures		
Model		Description
NMK-0001		The Altelix NMK-0001 Pole Mount Kit easily attaches to the rear the NP17AV Series enclosures. The included adjustable stainless steel bands allow the enclosure to be mounted to poles up to 8 inches (203.2 mm) in diameter. For larger diameter poles, the standard bands can be switched out for longer ones available from Altelix.
HN-0004		Replacement door locking key for NP17AV enclosures.

SONOS® and Connect:Amp™ are trademarks or registered trademarks of SONOS, Inc. Apple TV® and Mac mini® are trademarks or registered trademarks of Apple, Inc. Amazon Echo® is a trademark or registered trademark of Amazon.com, Inc. Control4® is a trademark or registered trademark of Control4 Corporation. Crestron® and MC3 3-Series Control System® are trademarks or registered trademarks of Crestron Electronics, Inc.