



Amazon eero® PoE 6 Not Included

## Features

- Designed to fit the Amazon eero® PoE 6 (Model T010001) Wi-Fi 6 Access Point
- Integral gigabit PoE/PoE+ repeater/power splitter which provides Power+Data to the Amazon eero® PoE 6 and one additional PoE device
- Dual 3" Vents with PoE Powered Thermostat Controlled DC Cooling Fan
- Unique cable glands allow you to feed pre-terminated Ethernet cables into the enclosure
- Weatherproof and UV stable durable Polycarbonate + ABS construction
- Gasketed Lid with Tamper-Proof Locking Screw and Dual Door Latches
- RF transparent design will not affect wireless signal range or coverage pattern
- NEMA Type 3R, 3RX / IP24 Rated
- Includes wall mount hardware and cable grommets

Amazon eero® is a trademark or registered trademark of Amazon Technologies, Inc.

## Description

---

The **Altelix Vented Amazon eero® PoE 6 Enclosure** with DC Cooling Fan is a weatherproof enclosure designed to provide indoor or outdoor protection for the Amazon eero® PoE 6 Wi-Fi 6 access point. Using a single Ethernet cable to provide power and data, this enclosure can be installed in remote locations with no power outlets available. It features a gasketed door to protect from dust and ingress, reinforced hinges, dual latches and a tamper-proof locking screw with key to secure the enclosure.

### Integral Gigabit PoE/PoE+ Repeater / Power Splitter

Featured in this enclosure is an integral Gigabit PoE repeater/power splitter mounted to the equipment mounting plate. This Gigabit PoE splitter is used to power the thermostat-controlled DC cooling fan as well as providing data+power to the Amazon eero® PoE 6 Wi-Fi 6 access point and one additional PoE enabled device. The PoE splitter is compatible with IEEE 802.3af/at standards and features 10/100/1000Mbps data speeds.

### PoE Powered Cooling Fan

The NP17VMFE1-EER5 features dual 3" vents and a thermostat controlled PoE powered DC cooling fan. The low noise, high airflow fan helps maintain lower internal temperatures. Rain shrouds on the front door keep rainwater from entering the enclosure.

### Easy Setup

The equipment mounting plate of the NP17VMFE1-EER5 is pre-drilled to except the wall mounting bracket that is included with the Amazon eero® PoE 6. Simply attach the wall mounting bracket to the plate and then install the access point.

### RF Transparent Design

The non-metallic design of the enclosure and equipment mounting plate is RF transparent and will not interfere with the WiFi signal range or coverage pattern.

### PC+ABS Polycarbonate / ABS Blend for Extreme Durability

This enclosure is molded out of UV resistant PC+ABS, a high-tech thermoplastic blend of polycarbonate and ABS which combines the best qualities of both into a single material. PC+ABS enclosures are superior to ABS enclosures because they maintain high toughness, durability and dimensional stability even at extreme cold and hot temperatures.

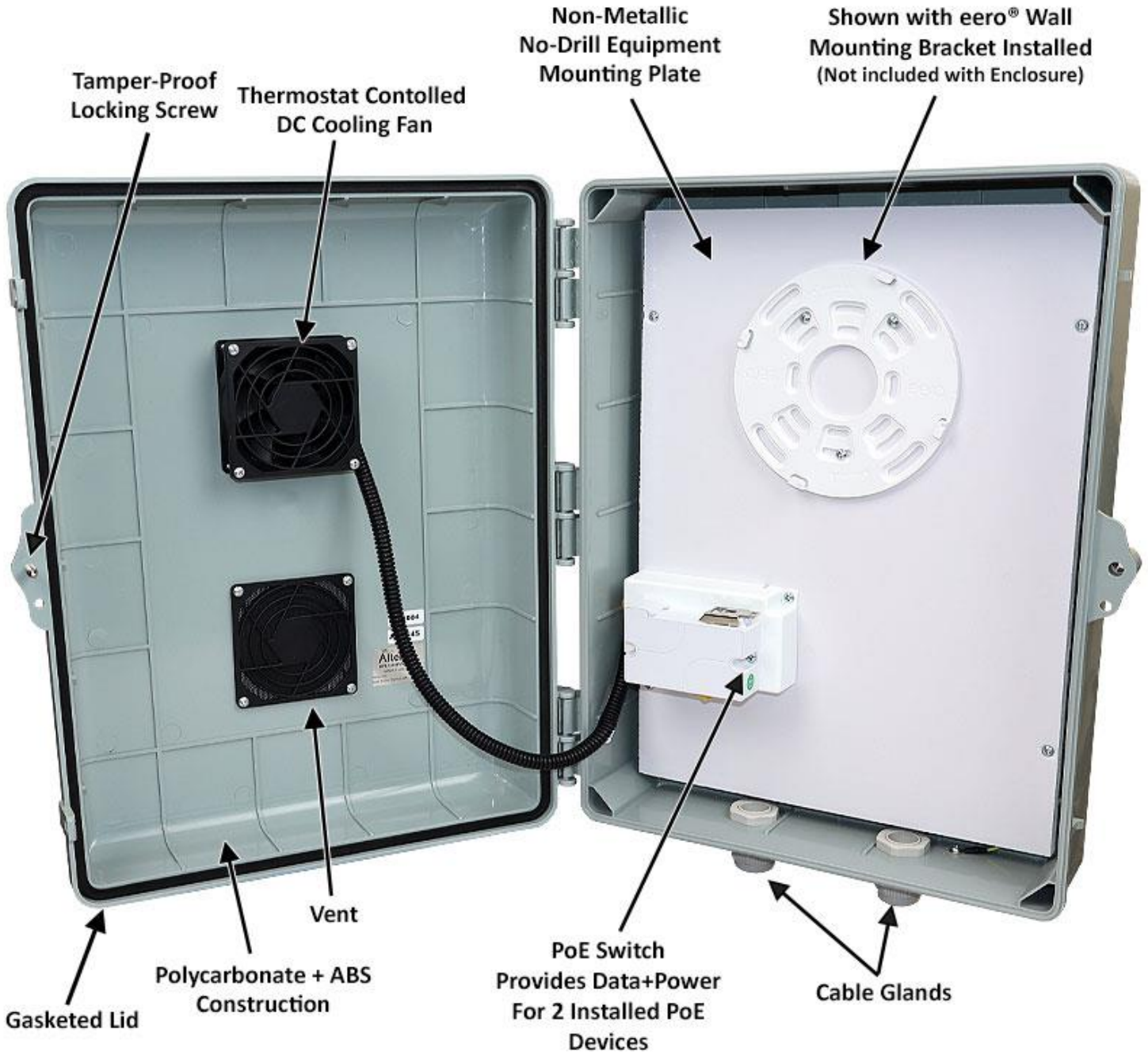
### Cable Gland

This enclosure features a specially designed cable gland which will allow a pre-terminated Ethernet cable to be fed into the enclosure.

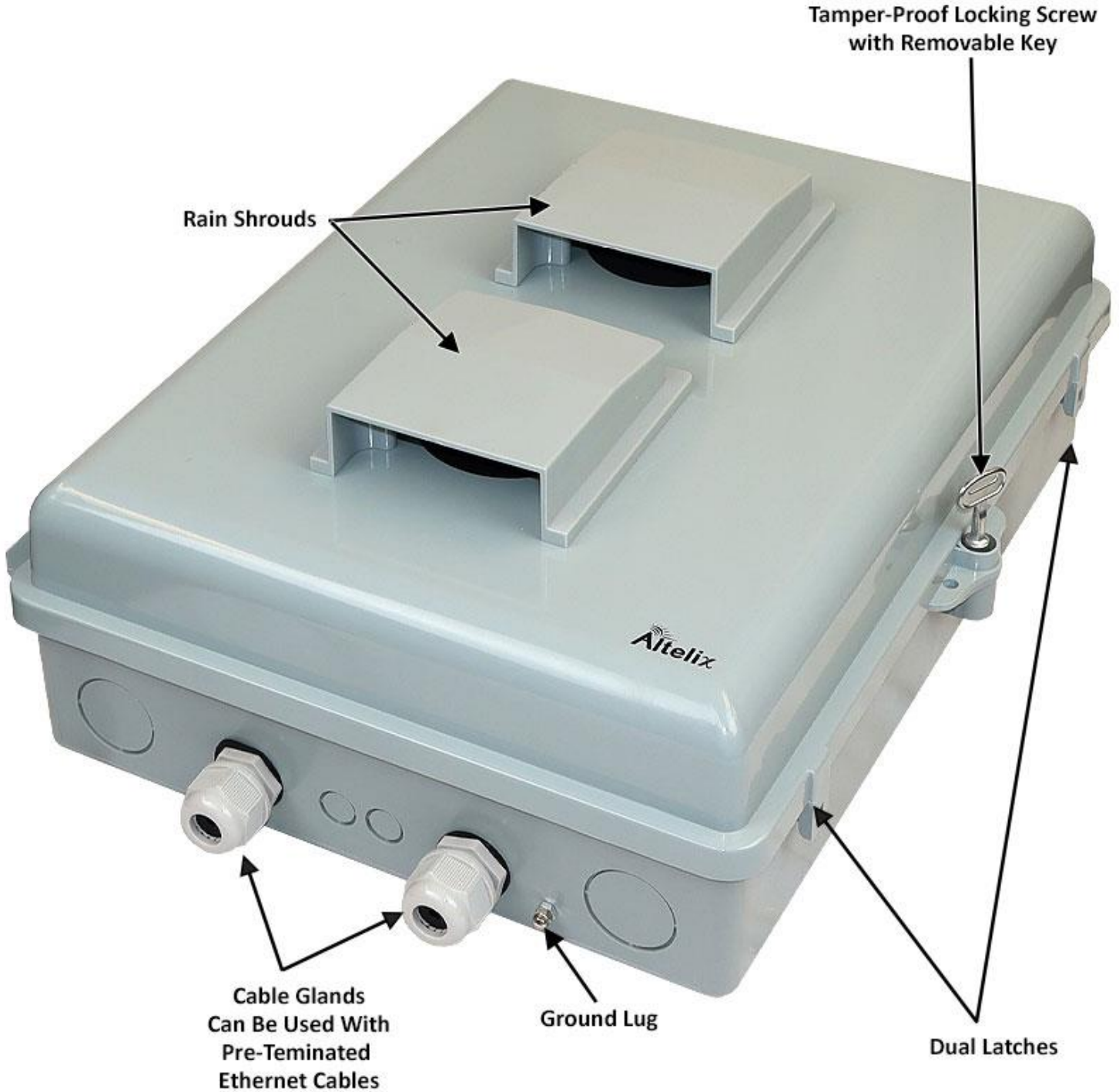
### Mounting

The enclosure can be wall mounted using the included wall anchors. An optional pole mount kit is also available for installation on poles up to 8 inches in diameter.

## Product Photos

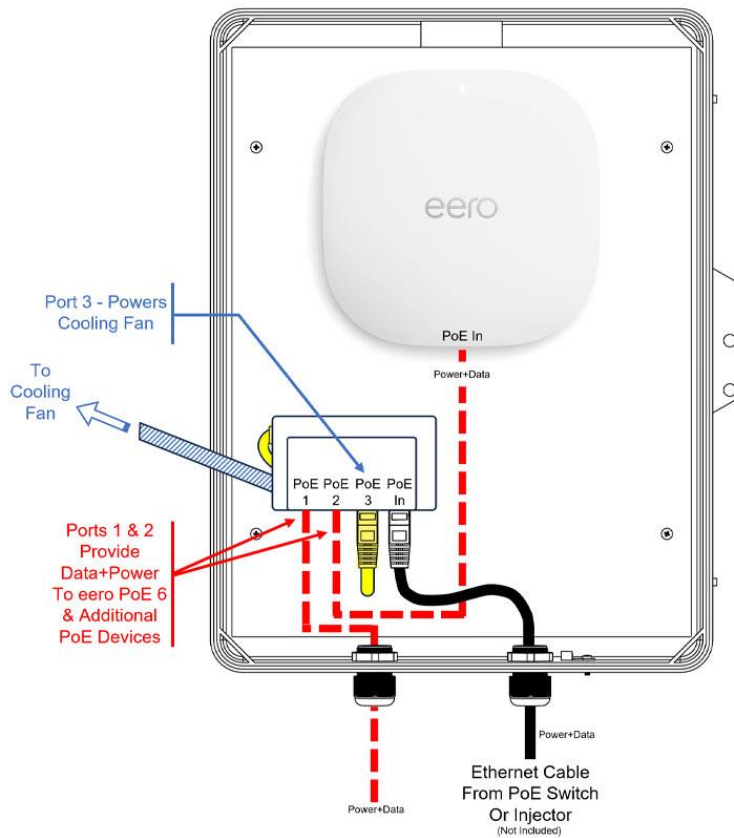
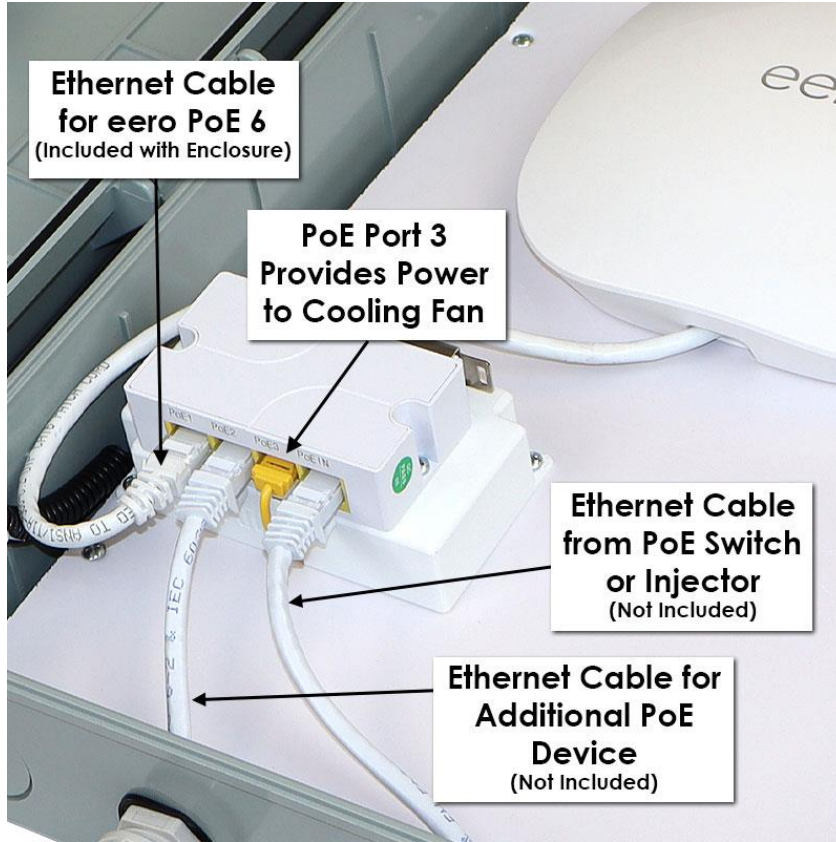


Product Photos





Product Photos



## Specifications

---

<b>Material</b>	PC+ABS Polycarbonate / ABS Blend
<b>Available Colors</b>	Gray, Black, OD Green, Light Ivory
<b>Cooling Fan Turn-On Temperature</b>	100°F (38°C)
<b>Cooling Fan Turn-Off Temperature</b>	79°F (26°C)
<b>PoE Voltage</b>	44-57 VDC
<b>PoE Input Power</b>	30W Max.
<b>PoE Output Power</b>	24W Max., Average 8W Per Port
<b>Data Speed</b>	10/100/1000 Mbps
<b>PoE Protocol</b>	IEEE 802.3at (30W), IEEE 802.3af (15.4W)
<b>PoE Pinouts</b>	Pins 1/2 (-) Pins 3/3 (+) Pins 4/5 (+) Pins 7/8 (-)
<b>Outer Dimensions</b> (Height x Width x Depth)	16.5 x 13.7 x 6.7 Inches (420 x 348 x 167 mm)
<b>Mounting Plate Material</b>	0.25 In. (6.4 mm) PVC
<b>Weight</b>	6.8 lbs. (3.0 kg)
<b>Ratings</b>	NEMA Type 3R, 3RX / IP24
<b>Flame Rating</b>	Meets UL94-V0
<b>Compatible eero® Model</b>	eero® PoE 6 - Model #T010001

## Available Colors

