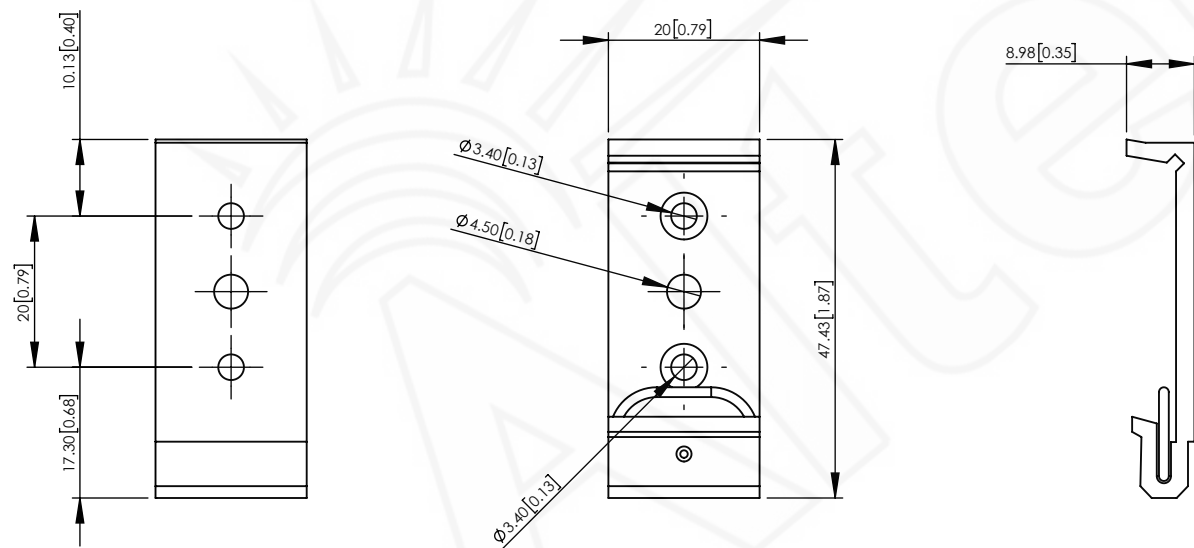
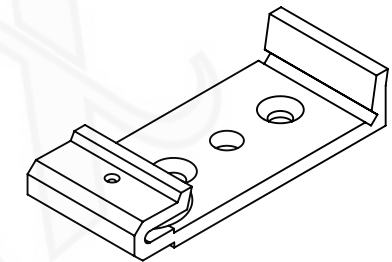


REV	DATE	DESCRIPTION
A	02/06/20	INITIAL RELEASE

THE INFORMATION CONTAINED IN THIS DRAWING IS THE SOLE PROPERTY OF ALTELIX LLC. ANY REPRODUCTION IN PART OR WHOLE WITHOUT THE WRITTEN PERMISSION OF ALTELIX LLC IS PROHIBITED. ALL SPECIFICATIONS SUBJECT TO CHANGE WIHTOUT NOTICE. (C) 2017 ALTELIX LLC.




1201 Clint Moore Road
Boca Raton, FL 33487
TEL: 561-660-WIFI
www.altelix.com

PART DESCRIPTION		20mm WIDE DIN CLIP	
		FOR 35mm TOP HAT DIN RAILS	
DRAWN BY		N.S.C	
CHECKED		-	
APPROVED		-	
DATE		02/06/20	
PART NUMBER		DCL35-A020	
DRAWING NUMBER		DRW-DCL35-A020	
SCALE:	1:1	REV:	A
		SHEET 1 OF 1	

UNLESS OTHERWISE SPECIFIED:
DIMENSIONS ARE IN MILLIMETERS.
DIMENSIONS IN [] ARE IN INCHES AND
ARE FOR CUSTOMER REFERENCE ONLY.

TOLERANCES FOR MILLIMETERS:
0.5-8mm ± 0.20mm
8-30mm ± 0.40mm
30-120mm ± 0.50mm

NO.	DESCRIPTION	MATERIAL	FINISH	QTY.
4	-	-	-	-
3	-	-	-	-
2	-	-	-	-
1	DIN CLIP	ALUMINUM	-	1