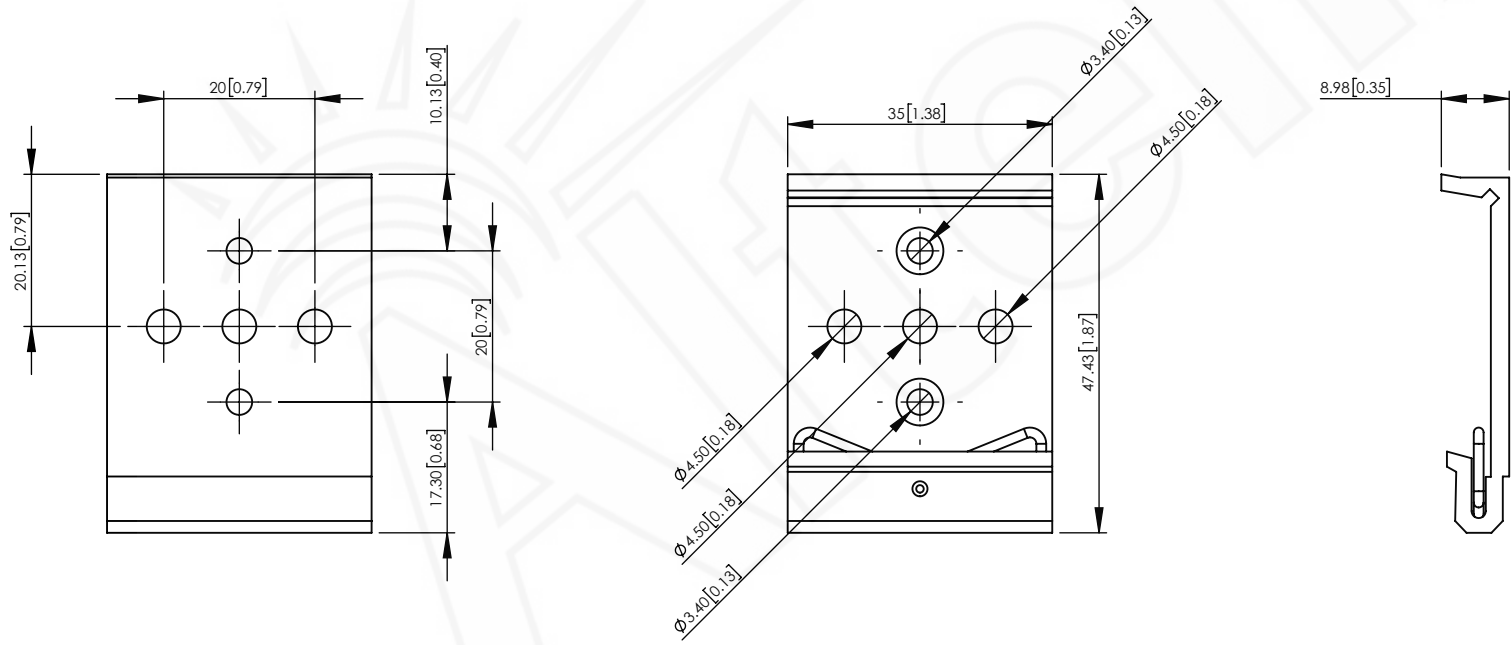
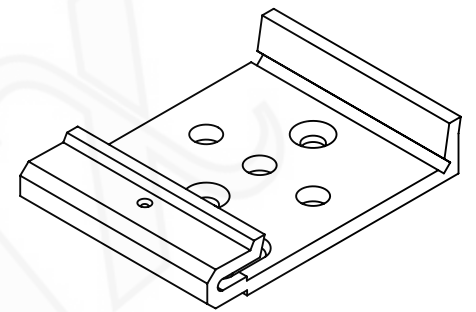


REV	DATE	DESCRIPTION
A	02/06/20	INITIAL RELEASE

THE INFORMATION CONTAINED IN THIS DRAWING IS THE SOLE PROPERTY OF ALTALIX LLC. ANY REPRODUCTION IN PART OR WHOLE WITHOUT THE WRITTEN PERMISSION OF ALTALIX LLC IS PROHIBITED. ALL SPECIFICATIONS SUBJECT TO CHANGE WITHOUT NOTICE. (C) 2017 ALTALIX LLC.




1201 Clint Moore Road
Boca Raton, FL 33487
TEL: 561-660-WIFI
www.altelix.com

PART DESCRIPTION		35mm WIDE DIN CLIP	
		FOR 35mm TOP HAT DIN RAILS	
PART NUMBER		DCL35-A035	
DRAWING NUMBER		DRW-DCL35-A035	
SCALE:	1:1	REV:	A
		SHEET 1 OF 1	

UNLESS OTHERWISE SPECIFIED:
DIMENSIONS ARE IN MILLIMETERS.
DIMENSIONS IN [] ARE IN INCHES AND
ARE FOR CUSTOMER REFERENCE ONLY.

TOLERANCES FOR MILLIMETERS:
0.5-8mm ± 0.20mm
8-30mm ± 0.40mm
30-120mm ± 0.50mm

NO.	DESCRIPTION	MATERIAL	FINISH	QTY.
4	-	-	-	-
3	-	-	-	-
2	-	-	-	-
1	DIN CLIP	ALUMINUM	-	1

TASK	NAME	DATE
DRAWN BY	N.S.C	02/06/20
CHECKED	-	-
APPROVED	-	-