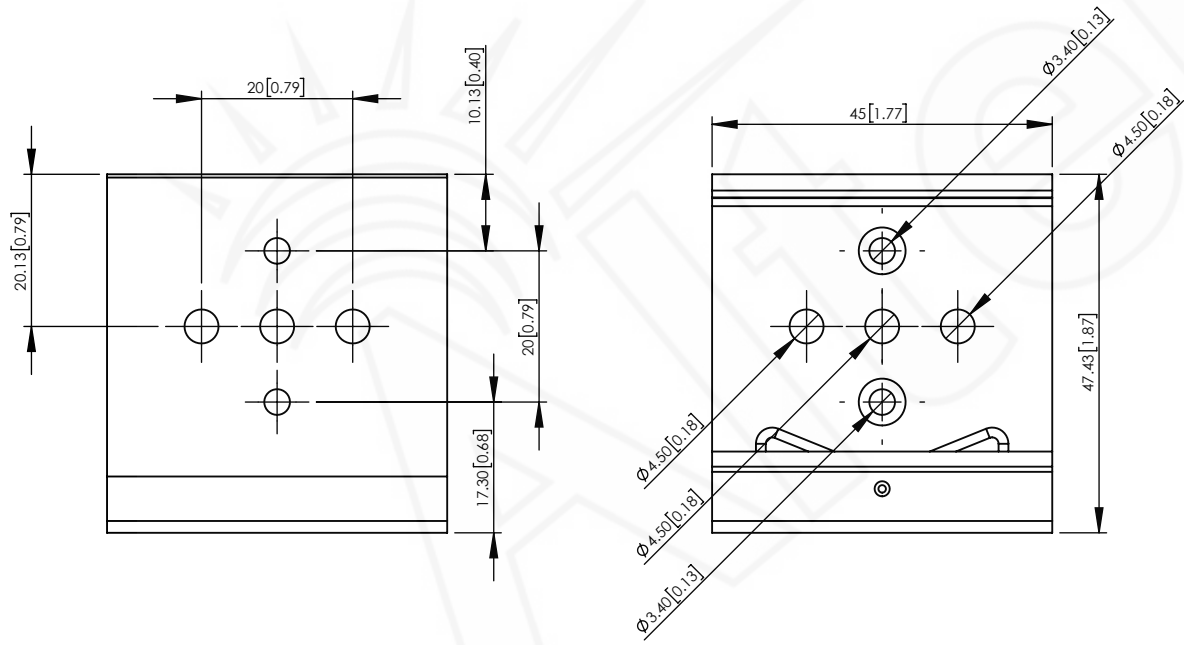
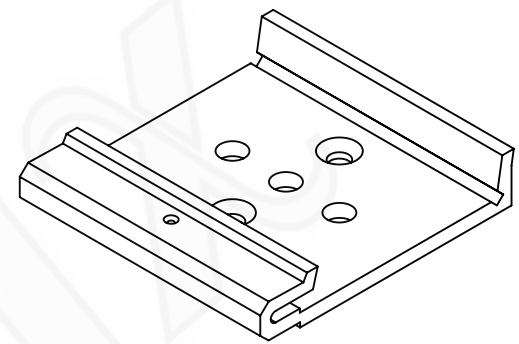


REV	DATE	DESCRIPTION
A	02/06/20	INITIAL RELEASE

THE INFORMATION CONTAINED IN THIS DRAWING IS THE SOLE PROPERTY OF ALTELIX LLC. ANY REPRODUCTION IN PART OR WHOLE WITHOUT THE WRITTEN PERMISSION OF ALTELIX LLC IS PROHIBITED. ALL SPECIFICATIONS SUBJECT TO CHANGE WIHTOUT NOTICE. (C) 2017 ALTELIX LLC.




1201 Clint Moore Road
Boca Raton, FL 33487
TEL: 561-660-WIFI
www.altelix.com

PART DESCRIPTION		45mm WIDE DIN CLIP FOR 35mm TOP HAT DIN RAILS	
PART NUMBER		DCL35-A045	
DRAWING NUMBER		DRW-DCL35-A045	
SCALE:	1:1	REV:	A
		SHEET 1 OF 1	

UNLESS OTHERWISE SPECIFIED:
DIMENSIONS ARE IN MILLIMETERS.
DIMENSIONS IN [] ARE IN INCHES AND
ARE FOR CUSTOMER REFERENCE ONLY.

TOLERANCES FOR MILLIMETERS:
0.5-8mm ± 0.20 mm
8-30mm ± 0.40 mm
30-120mm ± 0.50 mm

NO.	DESCRIPTION	MATERIAL	FINISH	QTY.
4	-	-	-	-
3	-	-	-	-
2	-	-	-	-
1	DIN CLIP	ALUMINUM	-	1

TASK	NAME	DATE
DRAWN BY	N.S.C	02/06/20
CHECKED	-	-
APPROVED	-	-