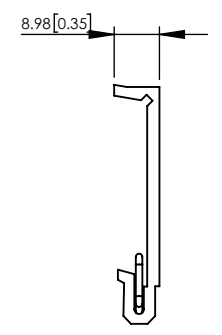
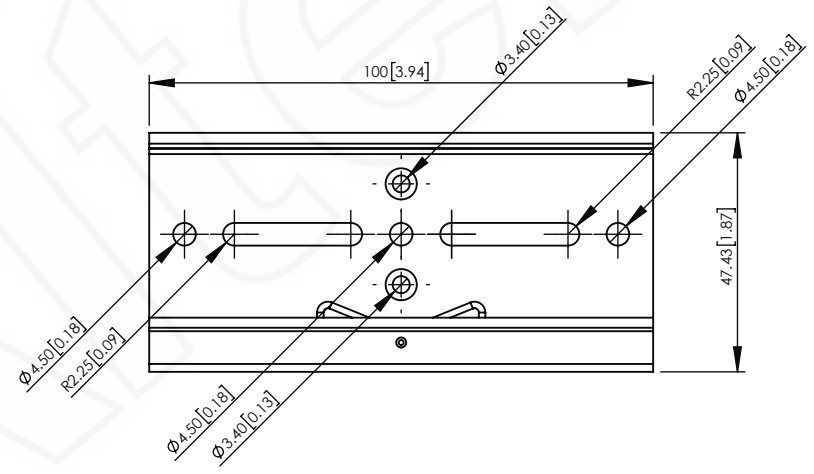
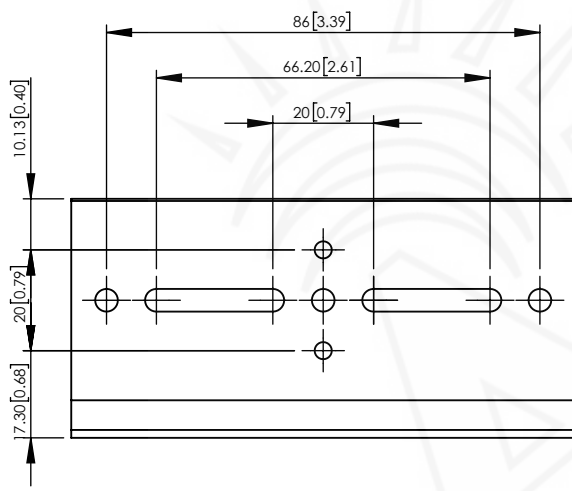
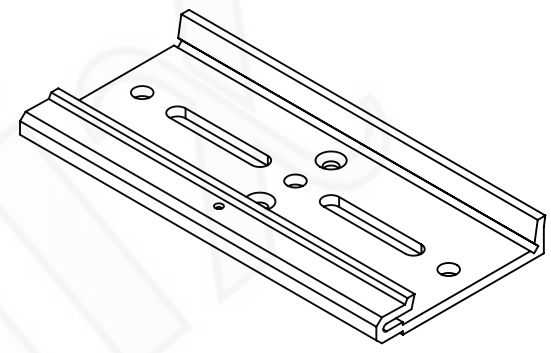


REV	DATE	DESCRIPTION
A	02/06/20	INITIAL RELEASE

THE INFORMATION CONTAINED IN THIS DRAWING IS THE SOLE PROPERTY OF ALTELIX LLC. ANY REPRODUCTION IN PART OR WHOLE WITHOUT THE WRITTEN PERMISSION OF ALTELIX LLC IS PROHIBITED. ALL SPECIFICATIONS SUBJECT TO CHANGE WIHTOUT NOTICE. (C) 2017 ALTELIX LLC.



NO.	DESCRIPTION	MATERIAL	FINISH	QTY.
4	-	-	-	-
3	-	-	-	-
2	-	-	-	-
1	DIN CLIP	ALUMINUM	-	1

UNLESS OTHERWISE SPECIFIED:
 DIMENSIONS ARE IN MILLIMETERS.
 DIMENSIONS IN [] ARE IN INCHES AND
 ARE FOR CUSTOMER REFERENCE ONLY.

TOLERANCES FOR MILLIMETERS:
 0.5-8mm ± 0.20mm
 8-30mm ± 0.40mm
 30-120mm ± 0.50mm

TASK	NAME	DATE
DRAWN BY	N.S.C	02/06/20
CHECKED	-	-
APPROVED	-	-



1201 Clint Moore Road
 Boca Raton, FL 33487
 TEL: 561-660-WIFI
www.altelix.com

PART DESCRIPTION	
100mm WIDE DIN CLIP FOR 35mm TOP HAT DIN RAILS	
PART NUMBER	DCL35-A100
DRAWING NUMBER	DRW-DCL35-A100
SCALE: 2:3	REV: A
SHEET 1 OF 1	