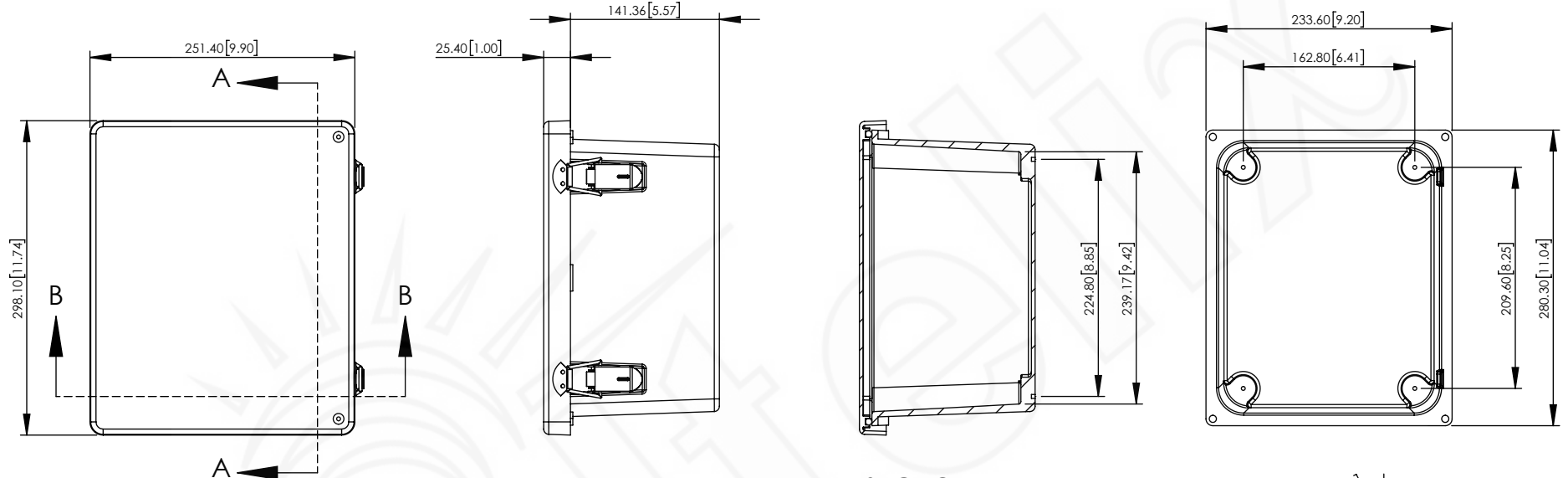


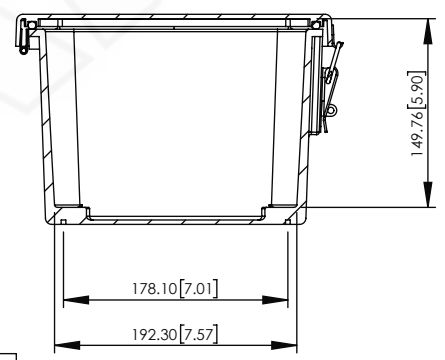
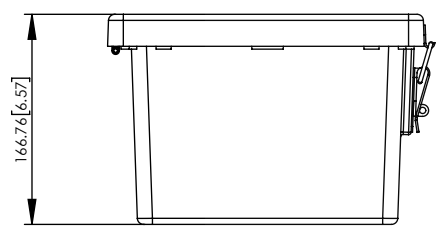
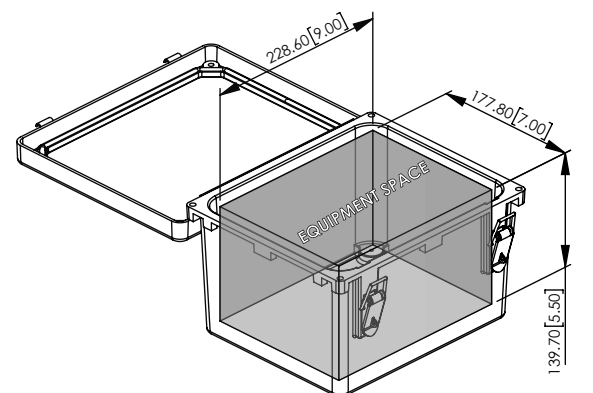
REV	DATE	DESCRIPTION
A	08/09/07	INITIAL RELEASE
B	10/02/18	UPDATED FOR CLARITY

THE INFORMATION CONTAINED IN THIS DRAWING IS THE SOLE PROPERTY OF ALTELIX LLC. ANY REPRODUCTION IN PART OR WHOLE WITHOUT THE WRITTEN PERMISSION OF ALTELIX LLC IS PROHIBITED. ALL SPECIFICATIONS SUBJECT TO CHANGE WITHOUT NOTICE. (C) 2017 ALTELIX LLC.



SECTION A-A

SECTION B-B



NO.	DESCRIPTION	MATERIAL	FINISH	QTY.
8	-	-	-	-
7	-	-	-	-
6	-	-	-	-
5	-	-	-	-
4	-	-	-	-
3	-	-	-	-
2	-	-	-	-
1	NEMA ENCLOSURE	FIBERGLASS REINFORCED POLYESTER	-	1

UNLESS OTHERWISE SPECIFIED:  
 DIMENSIONS ARE IN MILLIMETERS.  
 DIMENSIONS IN [ ] ARE IN INCHES AND  
 ARE FOR CUSTOMER REFERENCE ONLY.

TOLERANCES FOR MILLIMETERS:  
 0.5-8mm ± 0.20mm  
 8-30mm ± 0.40mm  
 30-120mm ± 0.50mm

TASK	NAME	DATE
DRAWN BY	N. COLUCCI	08/09/17
CHECKED	-	-
APPROVED	-	-

**Altelix**  
 www.altelix.com

1201 Clint Moore Road  
 Boca Raton, FL 33487  
 TEL: 561-660-WIFI

PART DESCRIPTION			
10 X 8 X 6 NEMA ENCLOSURE			
PART NUMBER		NF100806	
DRAWING NUMBER		DRW-NF100806	
SCALE:	1:6	REV:	B
			SHEET 1 OF 1