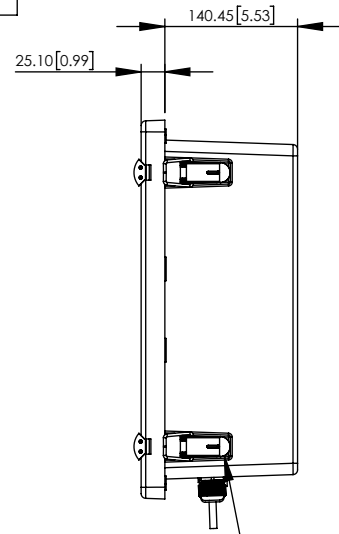
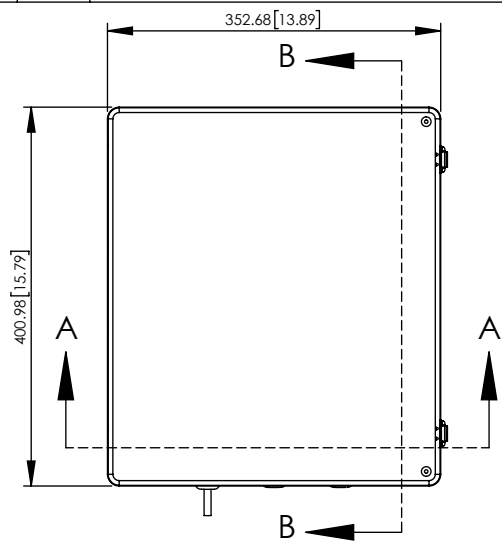
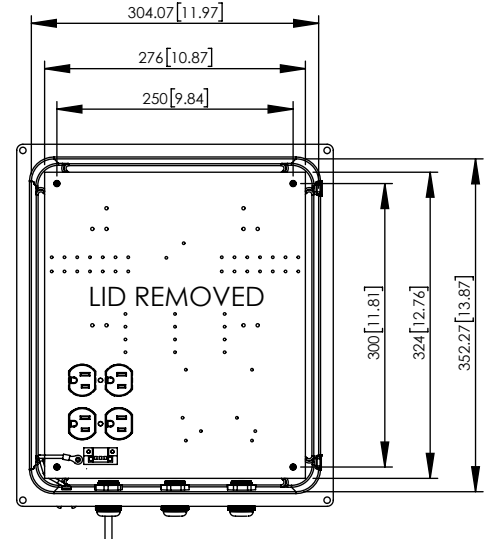


REV	DATE	DESCRIPTION
A	12/05/17	INITIAL RELEASE
B	08/10/18	ADDITIONAL OUTLET
C	10/18/18	UPDATED ANNOTATIONS
D	03/18/20	UPDATED CABLE GLANDS AND TERMINAL STRIP

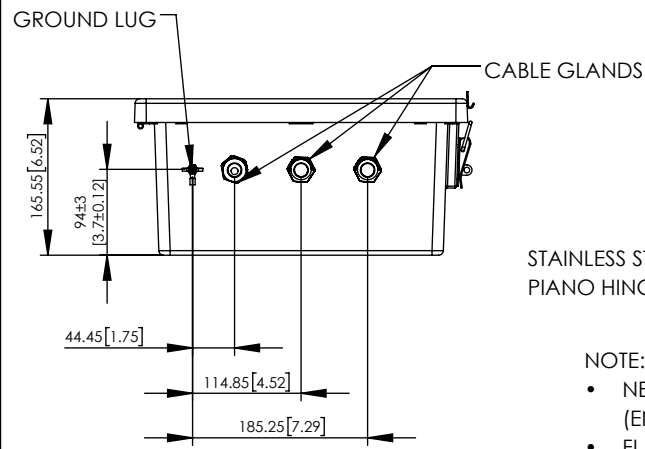
THE INFORMATION CONTAINED IN THIS DRAWING IS THE SOLE PROPERTY OF ALTELIX LLC. ANY REPRODUCTION IN PART OR WHOLE WITHOUT THE WRITTEN PERMISSION OF ALTELIX LLC IS PROHIBITED. ALL SPECIFICATIONS SUBJECT TO CHANGE WITHOUT NOTICE. (C) 2017 ALTELIX LLC.



SECTION B-B

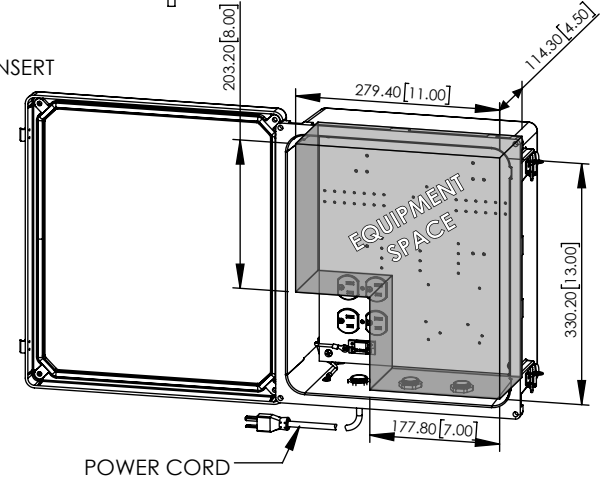
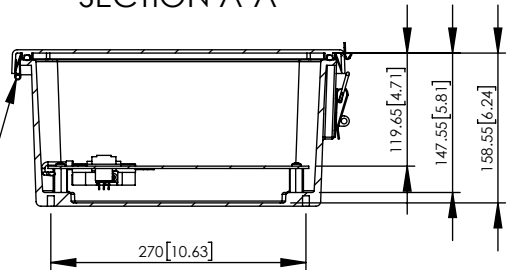


LID REMOVED



STAINLESS STEEL LATCHES
Ø5.96 [0.23] PADLOCK EYE

SECTION A-A



POWER CORD

- NOTE:
- NEMA RATED TYPE 4, 4X/IP66
(ENCLOSURE PORTS MUST BE PROPERLY SEALED TO MAINTAIN NEMA RATING)
 - FLAME RATED UL94-5V

Altelix
www.altelix.com

1201 Clint Moore Road
Boca Raton, FL 33487
TEL: 561-660-WIFI

NO.	DESCRIPTION	MATERIAL	FINISH	QTY.
8	-	-	-	-
7	-	-	-	-
6	-	-	-	-
5	-	-	-	-
4	-	-	-	-
3	-	-	-	-
2	-	-	-	-
1	NEMA ENCLOSURE	FIBERGLASS REINFORCED POLYESTER	-	1

UNLESS OTHERWISE SPECIFIED:
DIMENSIONS ARE IN MILLIMETERS.
DIMENSIONS IN [] ARE IN INCHES AND
ARE FOR CUSTOMER REFERENCE ONLY.

TOLERANCES FOR MILLIMETERS:
0.5-8mm ± 0.20mm
8-30mm ± 0.40mm
30-120mm ± 0.50mm

TASK	NAME	DATE
DRAWN BY	N. COLUCCI	12/05/17
CHECKED	-	-
APPROVED	-	-

PART DESCRIPTION	
14 X 12 X 6 NEMA ENCLOSURE WITH 120VAC AND POWER CORD	
PART NUMBER	NF141206A1C
DRAWING NUMBER	DRW-NF141206A1C
SCALE: 1:8	REV: D
SHEET 1 OF 1	