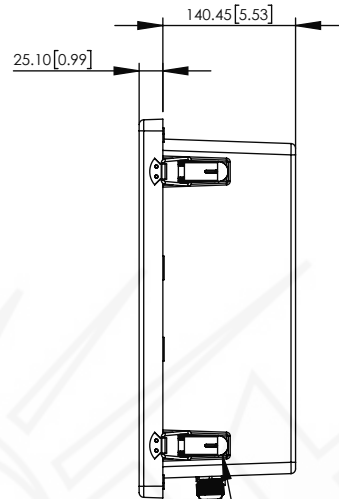
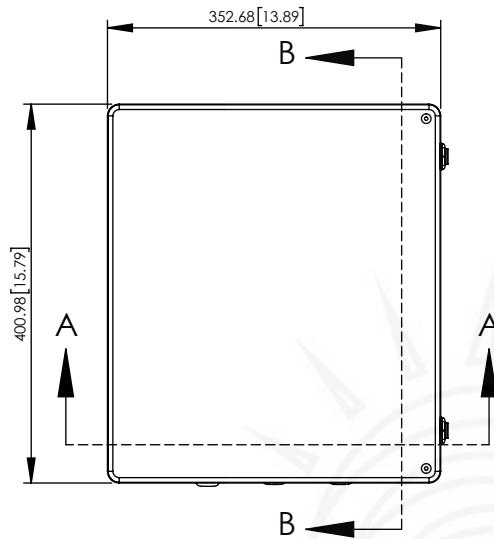


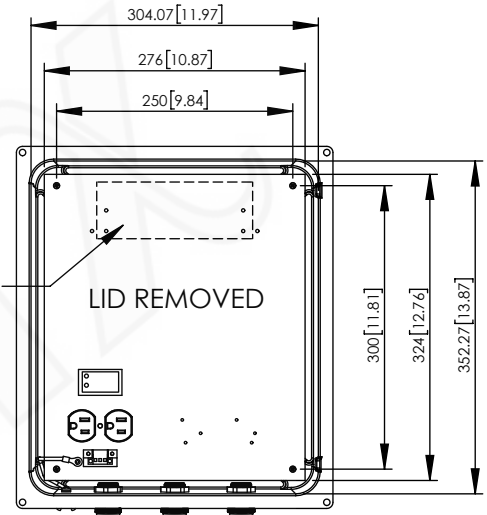
REV	DATE	DESCRIPTION
A	06/24/21	INITIAL RELEASE

THE INFORMATION CONTAINED IN THIS DRAWING IS THE SOLE PROPERTY OF ALTELIX LLC. ANY REPRODUCTION IN PART OR WHOLE WITHOUT THE WRITTEN PERMISSION OF ALTELIX LLC IS PROHIBITED. ALL SPECIFICATIONS SUBJECT TO CHANGE WITHOUT NOTICE. (C) 2019 ALTELIX LLC.



SECTION B-B

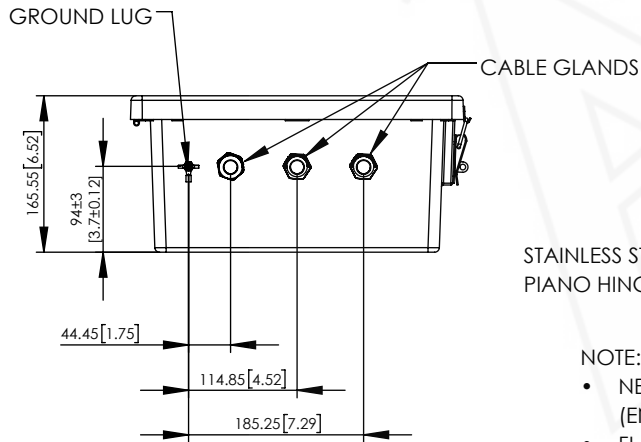
200W HEATER  
-DO NOT DRILL-



LID REMOVED

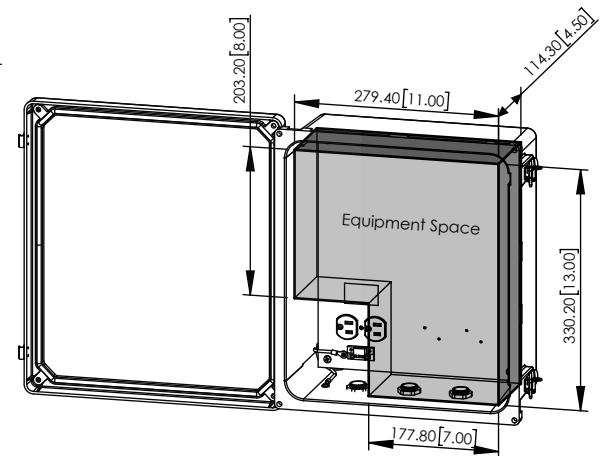
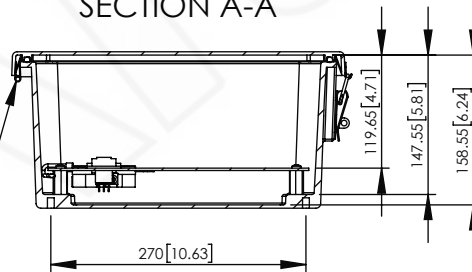
M5-0.8  
THREADED INSERT

STAINLESS STEEL LATCHES  
Ø5.96 [0.23] PADLOCK EYE



STAINLESS STEEL  
PIANO HINGE

SECTION A-A



NOTE:

- NEMA RATED TYPE 4, 4X/IP66  
(ENCLOSURE PORTS MUST BE PROPERLY SEALED TO MAINTAIN NEMA RATING)
- FLAME RATED UL94-5V

**Altelix**  
www.altelix.com

1201 Clint Moore Road  
Boca Raton, FL 33487  
TEL: 561-660-WIFI

NO.	DESCRIPTION	MATERIAL	FINISH	QTY.
8	-	-	-	-
7	-	-	-	-
6	-	-	-	-
5	-	-	-	-
4	-	-	-	-
3	-	-	-	-
2	-	-	-	-
1	NEMA ENCLOSURE	FIBERGLASS REINFORCED POLYESTER	-	1

UNLESS OTHERWISE SPECIFIED:  
DIMENSIONS ARE IN MILLIMETERS.  
DIMENSIONS IN [ ] ARE IN INCHES AND  
ARE FOR CUSTOMER REFERENCE ONLY.

TOLERANCES FOR MILLIMETERS:  
0.5-8mm ± 0.20mm  
8-30mm ± 0.40mm  
30-120mm ± 0.50mm

TASK	NAME	DATE
DRAWN BY	K. BURGNER	06/24/21
CHECKED	-	-
APPROVED	-	-

PART DESCRIPTION 14 X 12 X 6 INCH NEMA ENCLOSURE 120VAC WITH HEAT & DIGITAL CONTROLLER			
PART NUMBER		NF141206HA1-DH	
DRAWING NUMBER		DRW-NF141206HA1-DH	
SCALE:	1:8	REV:	A
			SHEET 1 OF 1