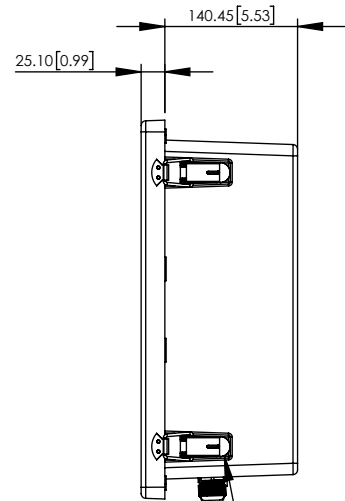
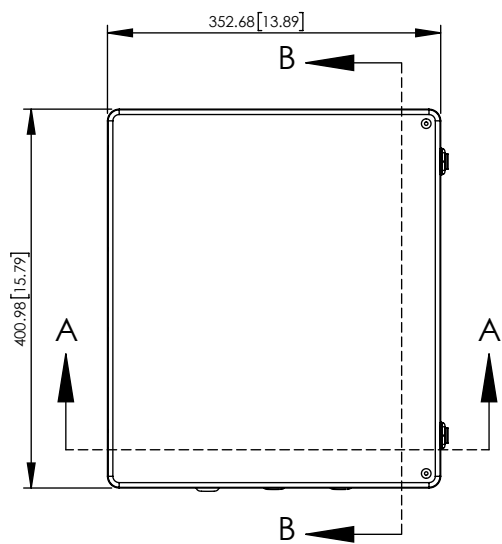
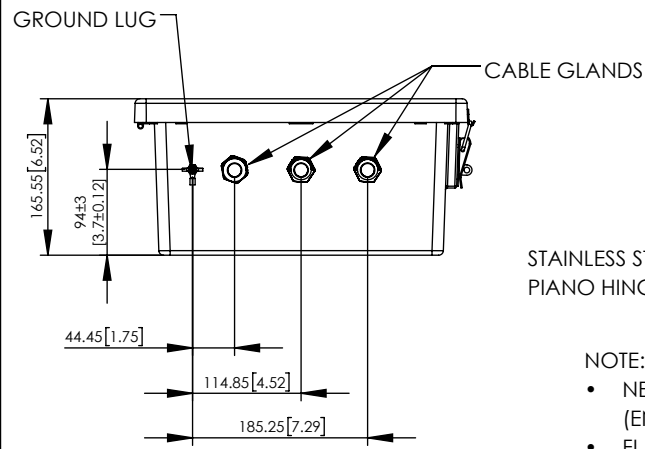
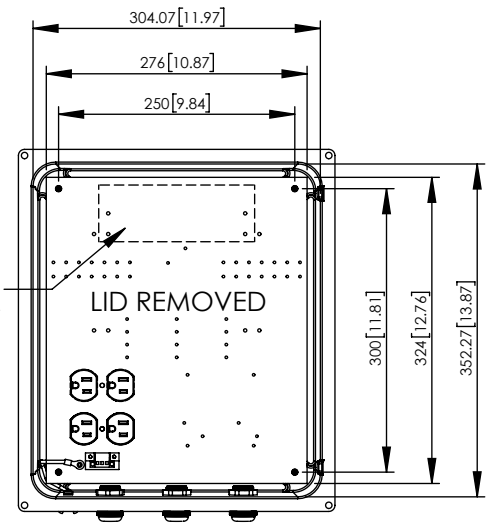
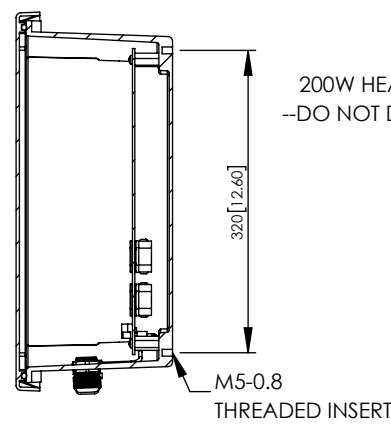


REV	DATE	DESCRIPTION
A	05/13/21	INITIAL RELEASE

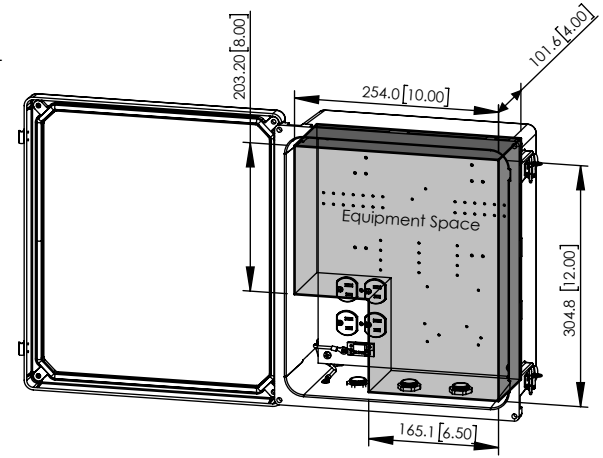
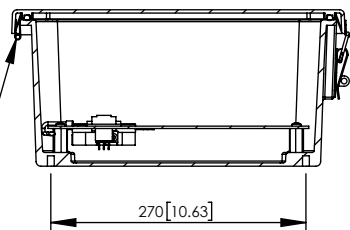
THE INFORMATION CONTAINED IN THIS DRAWING IS THE SOLE PROPERTY OF ALTELIX LLC. ANY REPRODUCTION IN PART OR WHOLE WITHOUT THE WRITTEN PERMISSION OF ALTELIX LLC IS PROHIBITED. ALL SPECIFICATIONS SUBJECT TO CHANGE WITHOUT NOTICE. (C) 2019 ALTELIX LLC.



SECTION B-B



SECTION A-A



- NOTE:
- NEMA RATED TYPE 4, 4X/IP66 (ENCLOSURE PORTS MUST BE PROPERLY SEALED TO MAINTAIN NEMA RATING)
 - FLAME RATED UL94-5V

Altelix
www.altelix.com

1201 Clint Moore Road
Boca Raton, FL 33487
TEL: 561-660-WIFI

NO.	DESCRIPTION	MATERIAL	FINISH	QTY.
8	-	-	-	-
7	-	-	-	-
6	-	-	-	-
5	-	-	-	-
4	-	-	-	-
3	-	-	-	-
2	-	-	-	-
1	NEMA ENCLOSURE	FIBERGLASS REINFORCED POLYESTER	-	1

UNLESS OTHERWISE SPECIFIED:
DIMENSIONS ARE IN MILLIMETERS.
DIMENSIONS IN [] ARE IN INCHES AND ARE FOR CUSTOMER REFERENCE ONLY.

TOLERANCES FOR MILLIMETERS:
0.5-8mm ± 0.20mm
8-30mm ± 0.40mm
30-120mm ± 0.50mm

TASK	NAME	DATE
DRAWN BY	K. BURGNER	05/13/21
CHECKED	-	-
APPROVED	-	-

PART DESCRIPTION		
14 X 12 X 6 INCH INSULATED NEMA ENCLOSURE 120VAC WITH HEAT		
PART NUMBER		NF141206HA1-Z
DRAWING NUMBER		DRW-NF141206HA1-Z
SCALE:	1:8	REV: A
		SHEET 1 OF 1