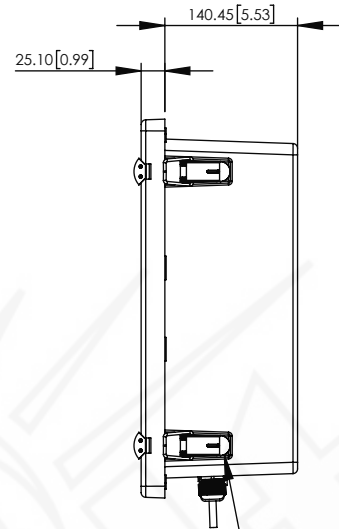
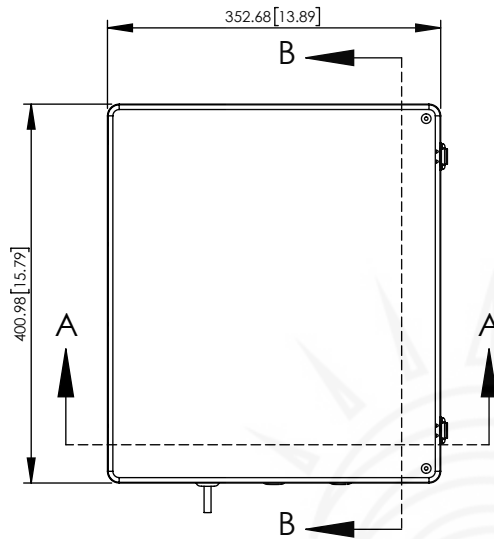
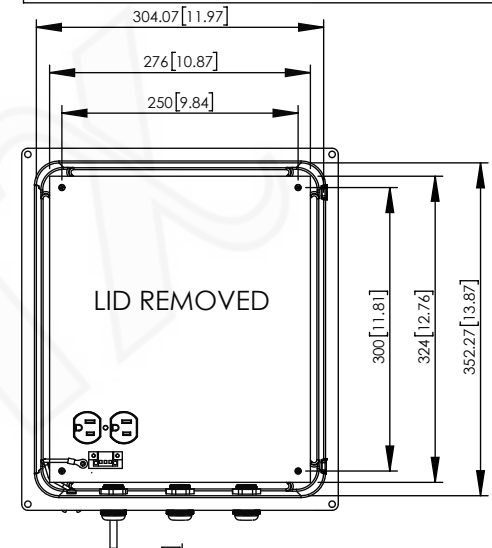


REV	DATE	DESCRIPTION
A	07/20/21	INITIAL RELEASE

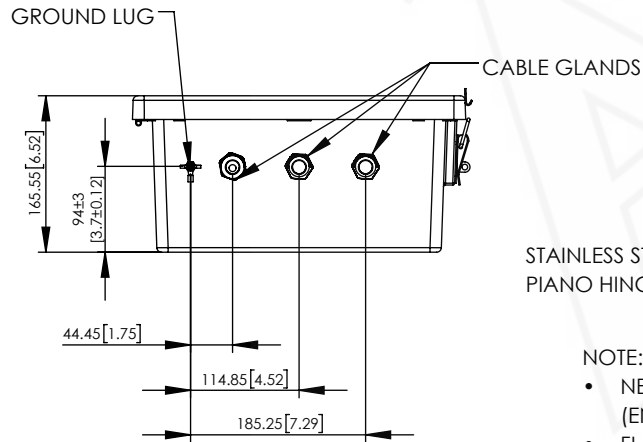
THE INFORMATION CONTAINED IN THIS DRAWING IS THE SOLE PROPERTY OF ALTELIX LLC. ANY REPRODUCTION IN PART OR WHOLE WITHOUT THE WRITTEN PERMISSION OF ALTELIX LLC IS PROHIBITED. ALL SPECIFICATIONS SUBJECT TO CHANGE WITHOUT NOTICE. (C) 2017 ALTELIX LLC.



SECTION B-B

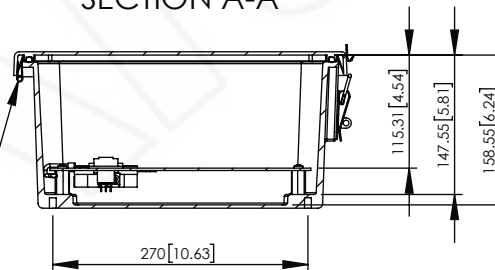


LID REMOVED



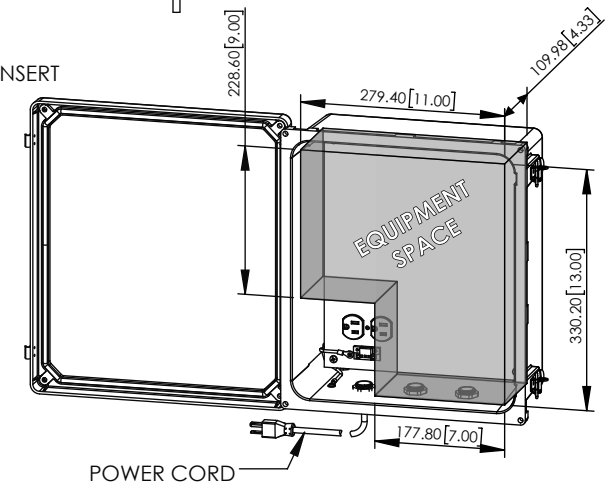
SECTION A-A

STAINLESS STEEL PIANO HINGE



NOTE:

- NEMA RATED TYPE 4, 4X/IP66 (ENCLOSURE PORTS MUST BE PROPERLY SEALED TO MAINTAIN NEMA RATING)
- FLAME RATED UL94-5V



POWER CORD

EQUIPMENT SPACE

NO.	DESCRIPTION	MATERIAL	FINISH	QTY.
8	-	-	-	-
7	-	-	-	-
6	-	-	-	-
5	-	-	-	-
4	-	-	-	-
3	-	-	-	-
2	-	-	-	-
1	NEMA ENCLOSURE	FIBERGLASS REINFORCED POLYESTER	-	1

UNLESS OTHERWISE SPECIFIED:  
DIMENSIONS ARE IN MILLIMETERS.  
DIMENSIONS IN [ ] ARE IN INCHES AND ARE FOR CUSTOMER REFERENCE ONLY.

TOLERANCES FOR MILLIMETERS:  
0.5-8mm ± 0.20mm  
8-30mm ± 0.40mm  
30-120mm ± 0.50mm

TASK	NAME	DATE
DRAWN BY	K. BURGNER	07/20/21
CHECKED	-	-
APPROVED	-	-

**Altelix**  
www.altelix.com

1201 Clint Moore Road  
Boca Raton, FL 33487  
TEL: 561-660-WIFI

PART DESCRIPTION 14 X 12 X 6 NEMA ENCLOSURE WITH 120VAC POWER & NON-METALLIC PLATE		
PART NUMBER		NF141206MA1C
DRAWING NUMBER		DRW-NF141206MA1C
SCALE:	1:8	REV: A
		SHEET 1 OF 1