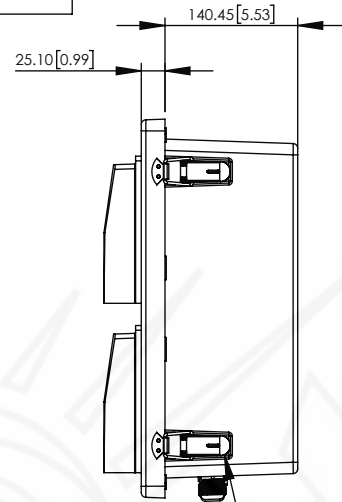
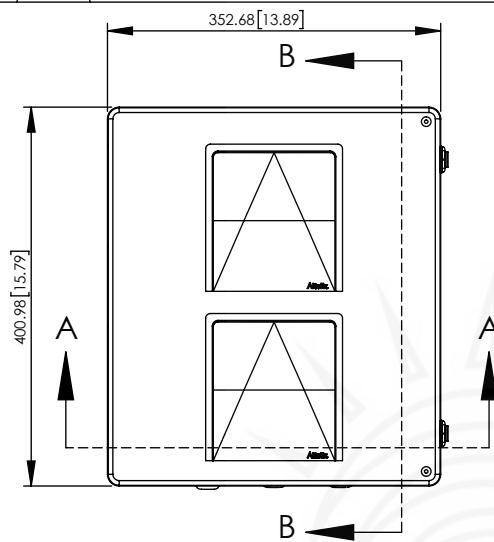
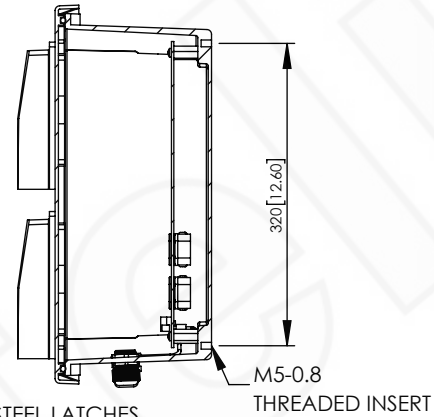


| REV | DATE | DESCRIPTION |
|-----|----------|---|
| A | 12/05/17 | INITIAL RELEASE |
| B | 08/10/18 | ADDITIONAL OUTLET |
| C | 10/18/18 | UPDATED ANNOTATIONS |
| D | 03/18/20 | UPDATED CABLE GLANDS AND TERMINAL STRIP |

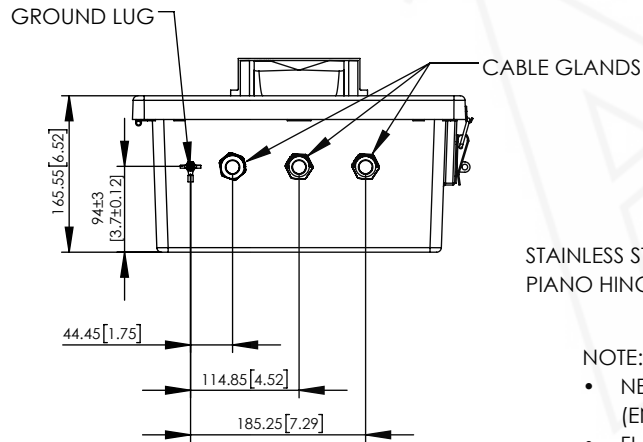
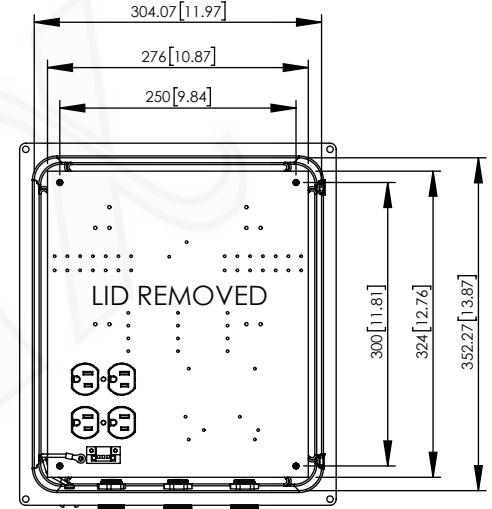
THE INFORMATION CONTAINED IN THIS DRAWING IS THE SOLE PROPERTY OF ALTELIX LLC. ANY REPRODUCTION IN PART OR WHOLE WITHOUT THE WRITTEN PERMISSION OF ALTELIX LLC IS PROHIBITED. ALL SPECIFICATIONS SUBJECT TO CHANGE WITHOUT NOTICE. (C) 2019 ALTELIX LLC.



SECTION B-B

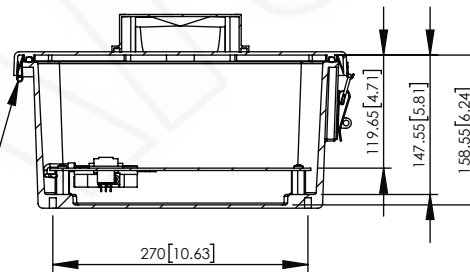


STAINLESS STEEL LATCHES
Ø5.96 [0.23] PADLOCK EYE



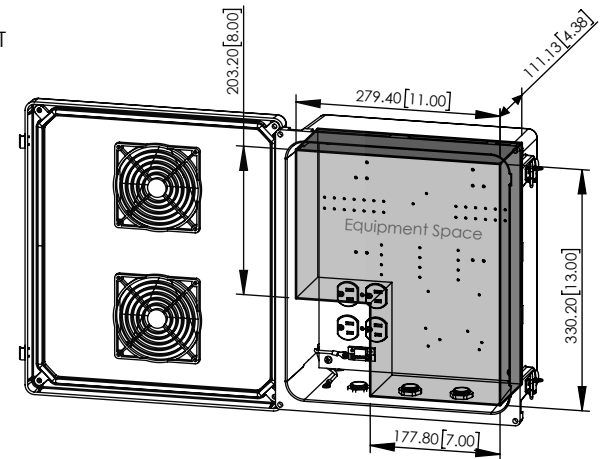
STAINLESS STEEL
PIANO HINGE

SECTION A-A



NOTE:

- NEMA RATED TYPE 3R, 3RX/IP24
(ENCLOSURE PORTS MUST BE PROPERLY SEALED TO MAINTAIN NEMA RATING)
- FLAME RATED UL94-5V



| NO. | DESCRIPTION | MATERIAL | FINISH | QTY. |
|-----|----------------|---------------------------------|---------|------|
| 8 | - | - | - | - |
| 7 | - | - | - | - |
| 6 | - | - | - | - |
| 5 | - | - | - | - |
| 4 | - | - | - | - |
| 3 | - | - | - | - |
| 2 | - | - | - | - |
| 1 | NEMA ENCLOSURE | FIBERGLASS REINFORCED POLYESTER | GELCOAT | 1 |

UNLESS OTHERWISE SPECIFIED:
DIMENSIONS ARE IN MILLIMETERS.
DIMENSIONS IN [] ARE IN INCHES AND
ARE FOR CUSTOMER REFERENCE ONLY.

TOLERANCES FOR MILLIMETERS:
0.5-8mm ± 0.20mm
8-30mm ± 0.40mm
30-120mm ± 0.50mm

| TASK | NAME | DATE |
|----------|------------|----------|
| DRAWN BY | N. COLUCCI | 12/05/17 |
| CHECKED | - | - |
| APPROVED | - | - |

Altelix
www.altelix.com

1201 Clint Moore Road
Boca Raton, FL 33487
TEL: 561-660-WIFI

| PART DESCRIPTION | | |
|---|-----------------|--------------|
| 14 X 12 X 6 INCH VENTED NEMA ENCLOSURE WITH 120VAC | | |
| PART NUMBER | NF141206VA1 | |
| DRAWING NUMBER | DRW-NF141206VA1 | |
| SCALE: | 1:8 | REV: D |
| | | SHEET 1 OF 1 |