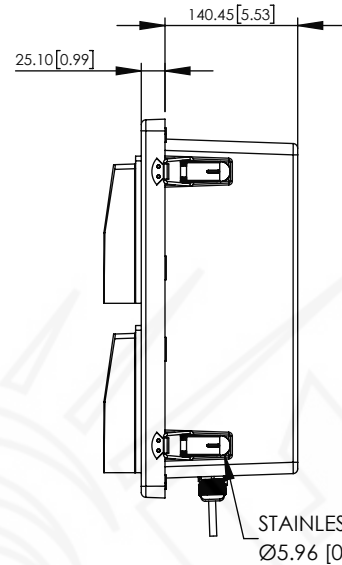
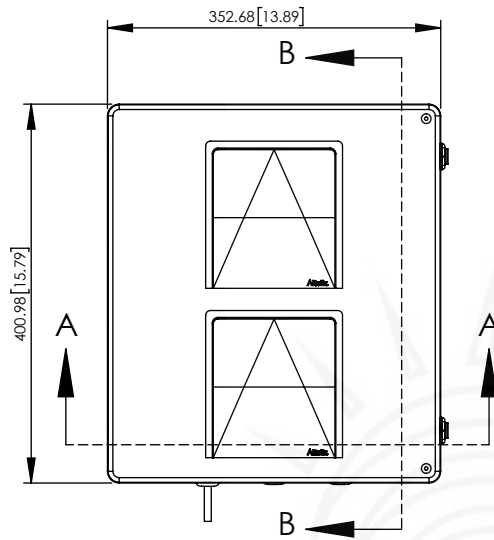


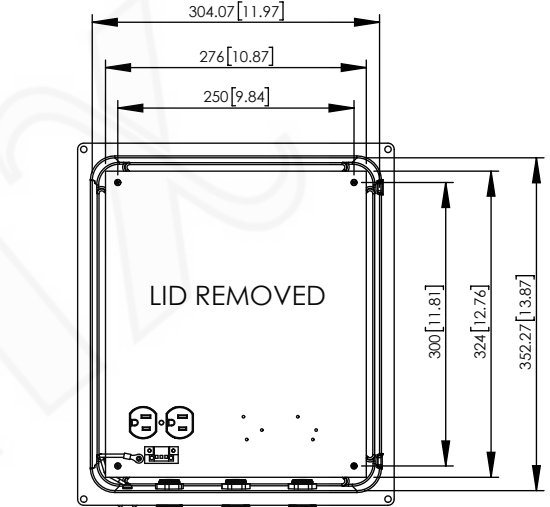
REV	DATE	DESCRIPTION
A	07/21/21	INITIAL RELEASE

THE INFORMATION CONTAINED IN THIS DRAWING IS THE SOLE PROPERTY OF ALTELIX LLC. ANY REPRODUCTION IN PART OR WHOLE WITHOUT THE WRITTEN PERMISSION OF ALTELIX LLC IS PROHIBITED. ALL SPECIFICATIONS SUBJECT TO CHANGE WITHOUT NOTICE. (C) 2019 ALTELIX LLC.

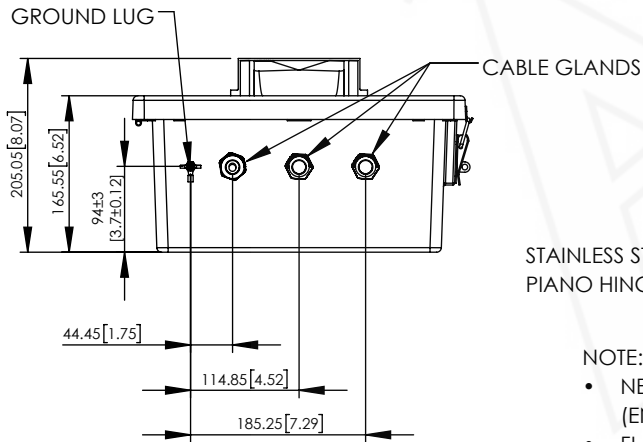


SECTION B-B

STAINLESS STEEL LATCHES
Ø5.96 [0.23] PADLOCK EYE
M5-0.8
THREADED INSERT

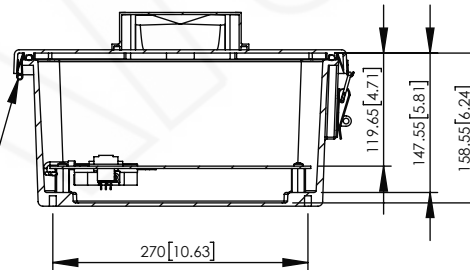


LID REMOVED



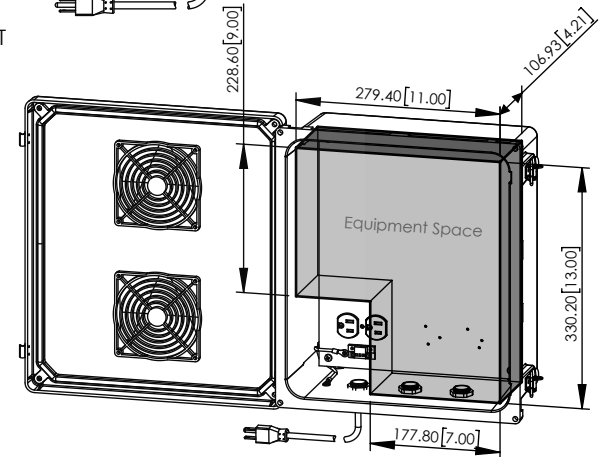
SECTION A-A

STAINLESS STEEL
PIANO HINGE



NOTE:

- NEMA RATED TYPE 3R, 3RX/IP24
(ENCLOSURE PORTS MUST BE PROPERLY SEALED TO MAINTAIN NEMA RATING)
- FLAME RATED UL94-5V



NO.	DESCRIPTION	MATERIAL	FINISH	QTY.
8	-	-	-	-
7	-	-	-	-
6	-	-	-	-
5	-	-	-	-
4	-	-	-	-
3	-	-	-	-
2	-	-	-	-
1	NEMA ENCLOSURE	FIBERGLASS REINFORCED POLYESTER	GELCOAT	1

UNLESS OTHERWISE SPECIFIED:
DIMENSIONS ARE IN MILLIMETERS.
DIMENSIONS IN [] ARE IN INCHES AND
ARE FOR CUSTOMER REFERENCE ONLY.

TOLERANCES FOR MILLIMETERS:
0.5-8mm ± 0.20mm
8-30mm ± 0.40mm
30-120mm ± 0.50mm

TASK	NAME	DATE
DRAWN BY	K. BURGNER	07/21/21
CHECKED	-	-
APPROVED	-	-



1201 Clint Moore Road
Boca Raton, FL 33487
TEL: 561-660-WIFI

PART DESCRIPTION

14 X 12 X 6 INCH VENTED NEMA ENCLOSURE WITH
120VAC POWER AND NON-METALLIC PLATE

PART NUMBER NF141206VMA1C

DRAWING NUMBER DRW-NF141206VMA1C

SCALE: 1:8 REV: A SHEET 1 OF 1