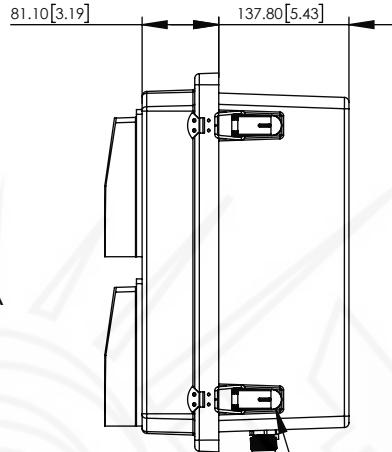
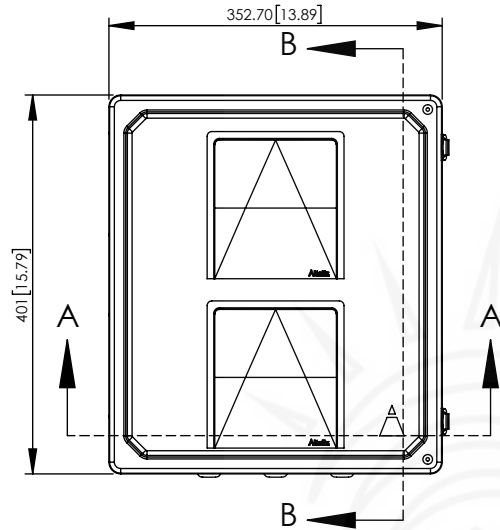
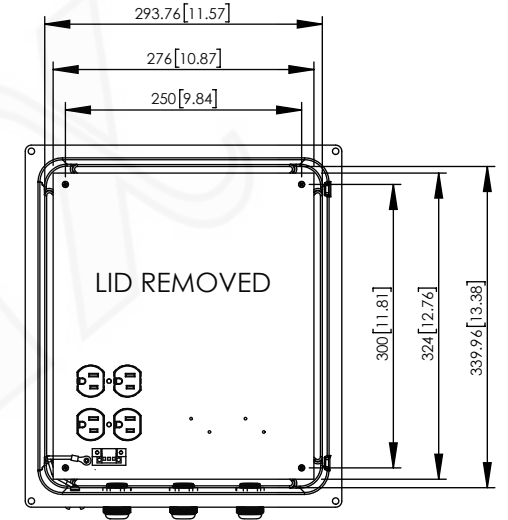
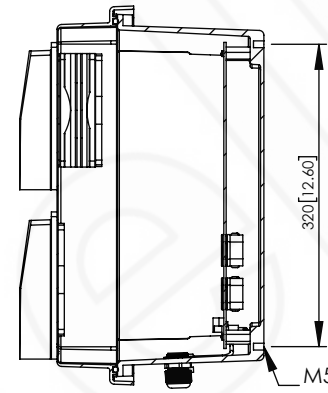


REV	DATE	DESCRIPTION
A	12/05/17	INITIAL RELEASE
B	08/10/18	ADDITIONAL OUTLET
C	10/18/18	UPDATED ANNOTATIONS
D	07/23/19	UPDATED DESIGN
E	03/23/20	NEW TERMINAL STRIP AND CABLE GLANDS
F	03/28/22	UPDATED MOUNTING PLATE

THE INFORMATION CONTAINED IN THIS DRAWING IS THE SOLE PROPERTY OF ALTELIX LLC. ANY REPRODUCTION IN PART OR WHOLE WITHOUT THE WRITTEN PERMISSION OF ALTELIX LLC IS PROHIBITED. ALL SPECIFICATIONS SUBJECT TO CHANGE WITHOUT NOTICE. (C) 2017 ALTELIX LLC.

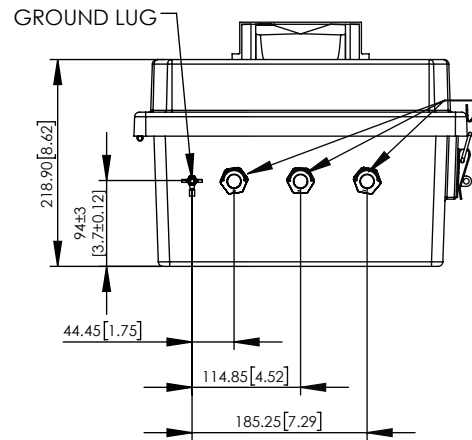


SECTION B-B



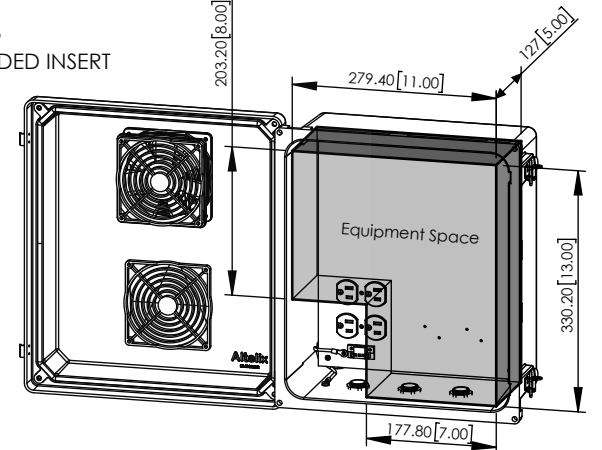
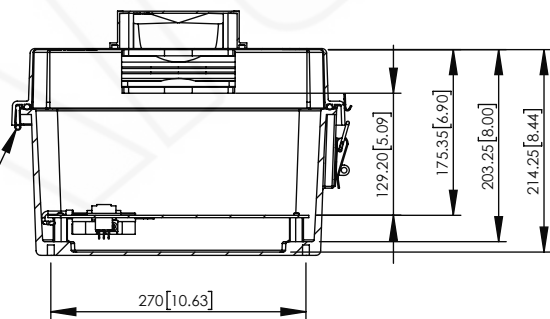
M5-0.8
THREADED INSERT

SECTION A-A



CABLE GLANDS

STAINLESS STEEL
PIANO HINGE



NOTE:

- NEMA RATED TYPE 3R, 3RX/IP24
(ENCLOSURE PORTS MUST BE PROPERLY SEALED TO MAINTAIN NEMA RATING)
- FLAME RATED UL94-5V

NO.	DESCRIPTION	MATERIAL	FINISH	QTY.
8	-	-	-	-
7	-	-	-	-
6	-	-	-	-
5	-	-	-	-
4	-	-	-	-
3	-	-	-	-
2	-	-	-	-
1	NEMA ENCLOSURE	FRP	-	1

UNLESS OTHERWISE SPECIFIED:
DIMENSIONS ARE IN MILLIMETERS.
DIMENSIONS IN [] ARE IN INCHES AND
ARE FOR CUSTOMER REFERENCE ONLY.

TOLERANCES FOR MILLIMETERS:
0.5-8mm ± 0.20mm
8-30mm ± 0.40mm
30-120mm ± 0.50mm

TASK	NAME	DATE
DRAWN BY	N. COLUCCI	12/05/17
CHECKED	-	-
APPROVED	-	-

1201 Clint Moore Road
Boca Raton, FL 33487
TEL: 561-660-WIFI
www.altelix.com

PART DESCRIPTION		
14 X 12 X 8 NEMA ENCLOSURE WITH 120VAC AND FAN		
PART NUMBER	NF141208VFA1	
DRAWING NUMBER	DRW-NF141208VFA1	
SCALE:	1:8	REV: F
		SHEET 1 OF 1