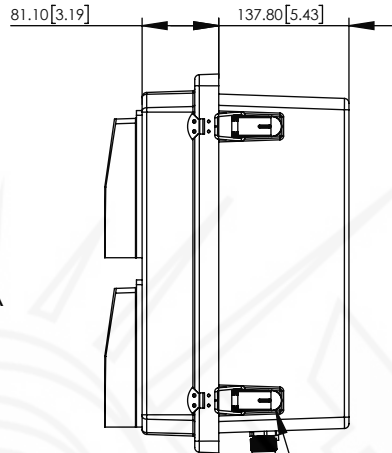
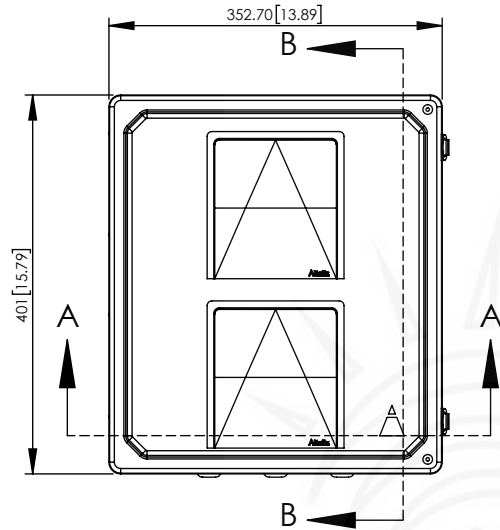
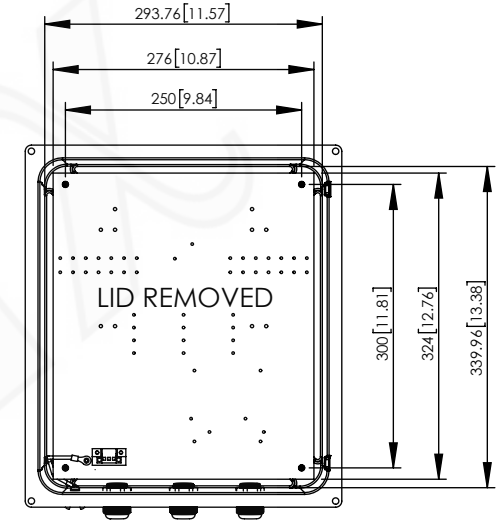
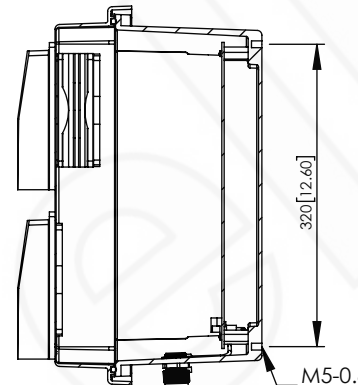


REV	DATE	DESCRIPTION
A	12/05/17	INITIAL RELEASE
B	06/21/21	UPDATED TERMINAL STRIP

THE INFORMATION CONTAINED IN THIS DRAWING IS THE SOLE PROPERTY OF ALTELIX LLC. ANY REPRODUCTION IN PART OR WHOLE WITHOUT THE WRITTEN PERMISSION OF ALTELIX LLC IS PROHIBITED. ALL SPECIFICATIONS SUBJECT TO CHANGE WITHOUT NOTICE. (C) 2017 ALTELIX LLC.

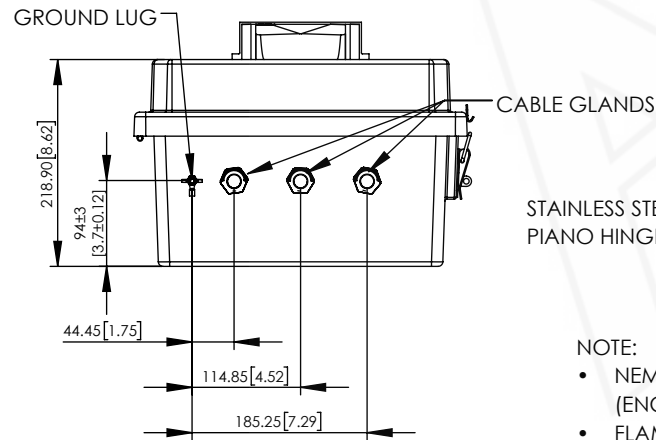


SECTION B-B

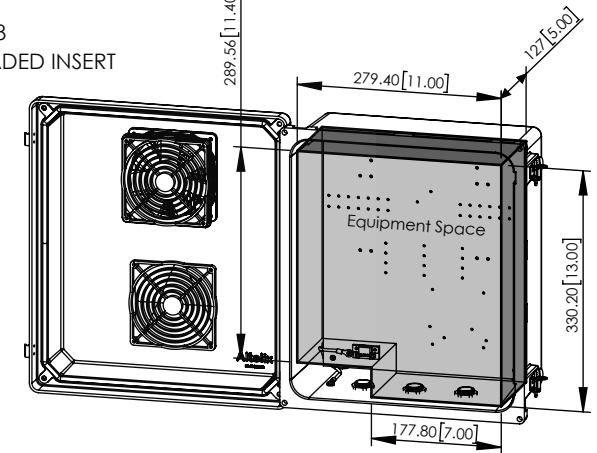
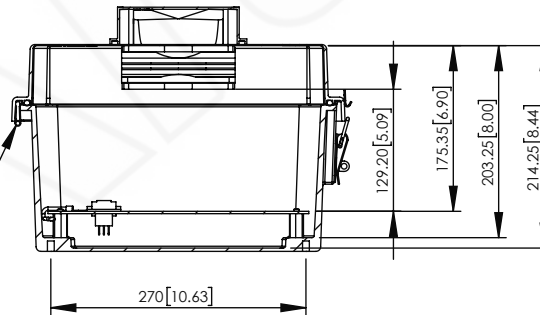


M5-0.8  
THREADED INSERT

SECTION A-A



STAINLESS STEEL  
PIANO HINGE



NOTE:

- NEMA RATED TYPE 3R, 3RX/IP24  
(ENCLOSURE PORTS MUST BE PROPERLY SEALED TO MAINTAIN NEMA RATING)
- FLAME RATED UL94-5V

NO.	DESCRIPTION	MATERIAL	FINISH	QTY.
8	-	-	-	-
7	-	-	-	-
6	-	-	-	-
5	-	-	-	-
4	-	-	-	-
3	-	-	-	-
2	-	-	-	-
1	NEMA ENCLOSURE	FRP	-	1

UNLESS OTHERWISE SPECIFIED:  
DIMENSIONS ARE IN MILLIMETERS.  
DIMENSIONS IN [ ] ARE IN INCHES AND  
ARE FOR CUSTOMER REFERENCE ONLY.

TOLERANCES FOR MILLIMETERS:  
0.5-8mm ± 0.20mm  
8-30mm ± 0.40mm  
30-120mm ± 0.50mm

TASK	NAME	DATE
DRAWN BY	N. COLUCCI	12/05/17
CHECKED	-	-
APPROVED	-	-



1201 Clint Moore Road  
Boca Raton, FL 33487  
TEL: 561-660-WIFI

PART DESCRIPTION  
14 X 12 X 8 NEMA ENCLOSURE  
WITH 12VDC FAN

PART NUMBER	NF141208VFD1
DRAWING NUMBER	DRW-NF141208VFD1
SCALE: 1:8	REV: B
SHEET 1 OF 1	