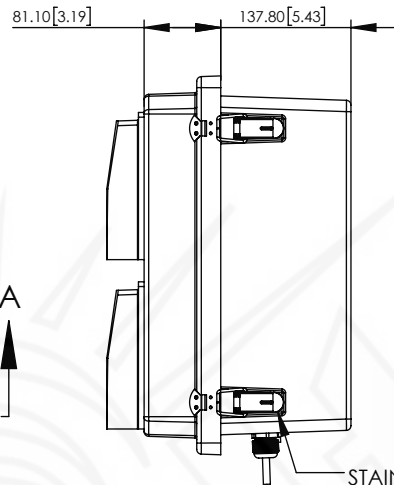
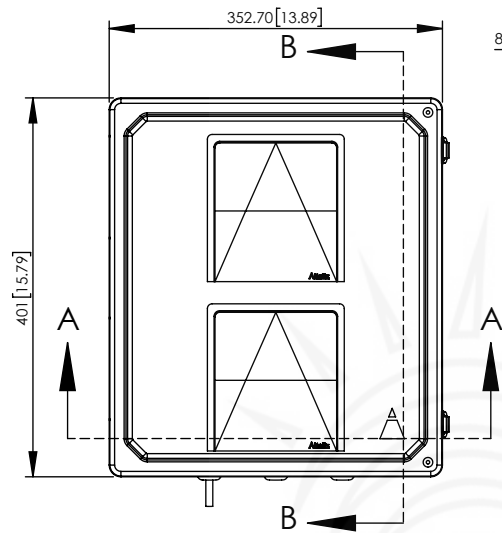
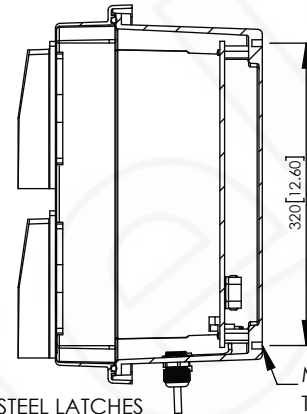


REV	DATE	DESCRIPTION
A	07/29/21	INITIAL RELEASE

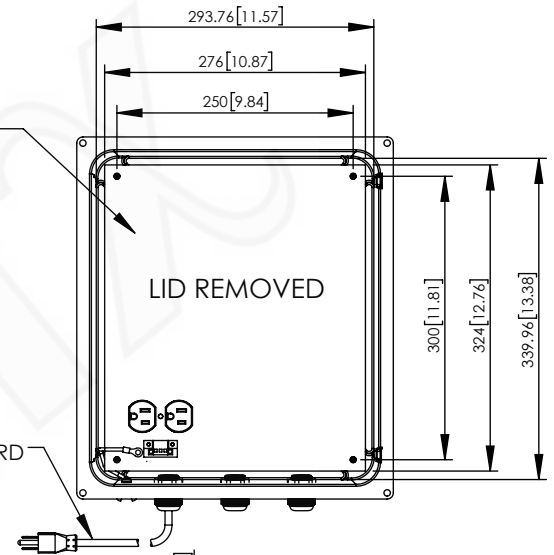
THE INFORMATION CONTAINED IN THIS DRAWING IS THE SOLE PROPERTY OF ALTELIX LLC. ANY REPRODUCTION IN PART OR WHOLE WITHOUT THE WRITTEN PERMISSION OF ALTELIX LLC IS PROHIBITED. ALL SPECIFICATIONS SUBJECT TO CHANGE WITHOUT NOTICE. (C) 2017 ALTELIX LLC.



SECTION B-B



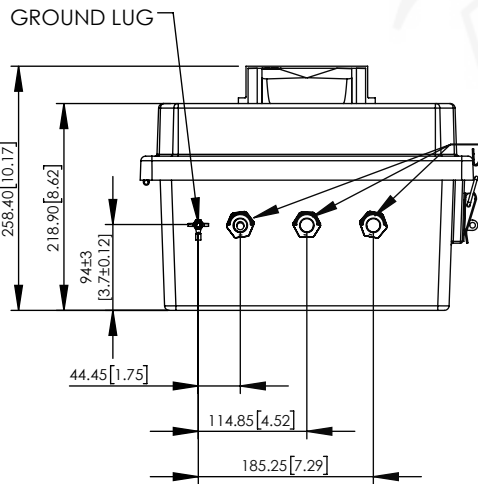
NON-METALLIC MOUNTING PLATE



LID REMOVED

POWER CORD

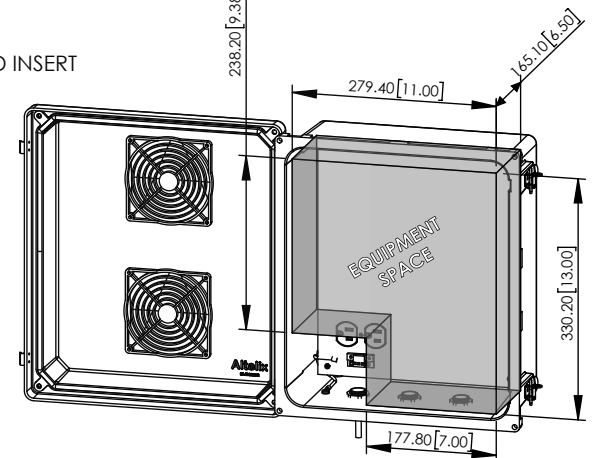
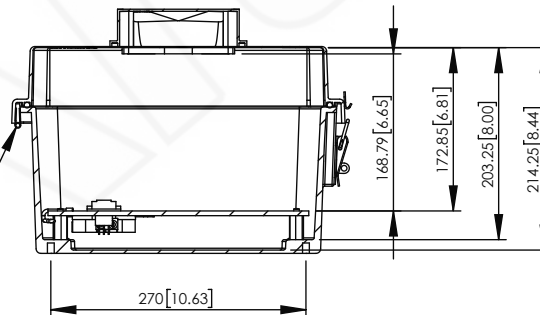
M5-0.8 THREADED INSERT



CABLE GLANDS

STAINLESS STEEL PIANO HINGE

SECTION A-A



EQUIPMENT SPACE

NOTE:

- NEMA RATED TYPE 3R, 3RX/IP24 (ENCLOSURE PORTS MUST BE PROPERLY SEALED TO MAINTAIN NEMA RATING)
- FLAME RATED UL94-5V

NO.	DESCRIPTION	MATERIAL	FINISH	QTY.
8	-	-	-	-
7	-	-	-	-
6	-	-	-	-
5	-	-	-	-
4	-	-	-	-
3	-	-	-	-
2	-	-	-	-
1	NEMA ENCLOSURE	FRP	-	1

UNLESS OTHERWISE SPECIFIED:
DIMENSIONS ARE IN MILLIMETERS.
DIMENSIONS IN [] ARE IN INCHES AND ARE FOR CUSTOMER REFERENCE ONLY.

TOLERANCES FOR MILLIMETERS:
0.5-8mm ± 0.20mm
8-30mm ± 0.40mm
30-120mm ± 0.50mm

TASK	NAME	DATE
DRAWN BY	K. BURGNER	07/29/21
CHECKED	-	-
APPROVED	-	-

Altelix
www.altelix.com

1201 Clint Moore Road
Boca Raton, FL 33487
TEL: 561-660-WIFI

PART DESCRIPTION	
14 X 12 X 8 VENTED NEMA ENCLOSURE WITH 120VAC AND POWER CORD	
PART NUMBER	NF141208VMA1C
DRAWING NUMBER	DRW-NF141208VMA1C
SCALE: 1:8	REV: A
SHEET 1 OF 1	