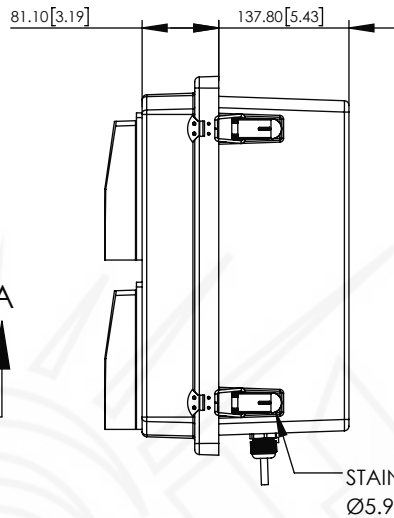
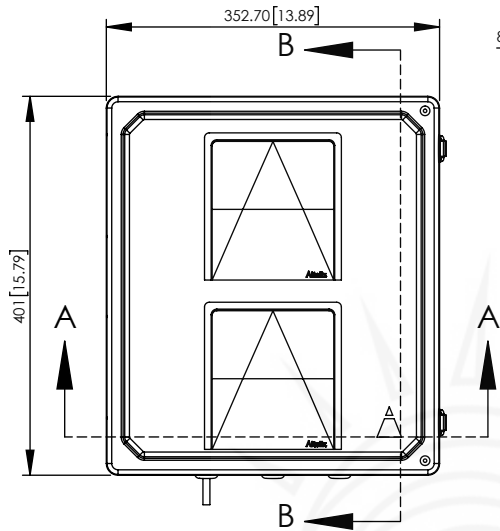
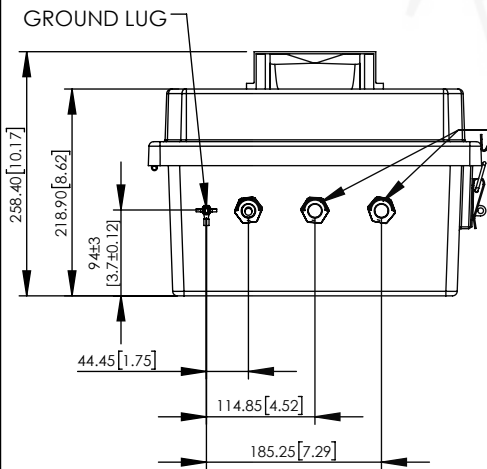
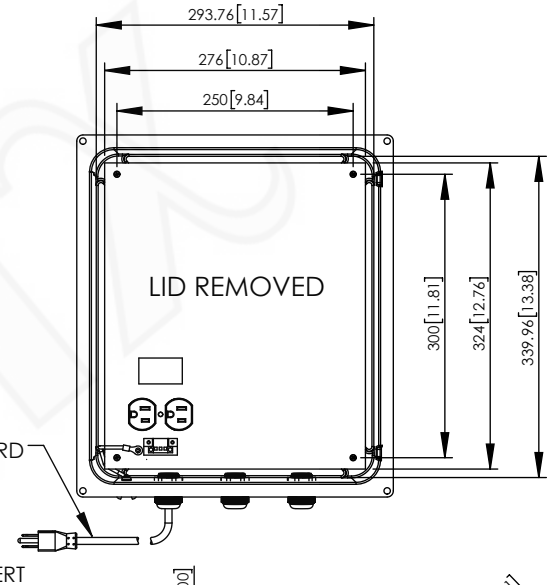


REV	DATE	DESCRIPTION
A	05/11/22	INITIAL RELEASE

THE INFORMATION CONTAINED IN THIS DRAWING IS THE SOLE PROPERTY OF ALTELIX LLC. ANY REPRODUCTION IN PART OR WHOLE WITHOUT THE WRITTEN PERMISSION OF ALTELIX LLC IS PROHIBITED. ALL SPECIFICATIONS SUBJECT TO CHANGE WITHOUT NOTICE. (C) 2017 ALTELIX LLC.

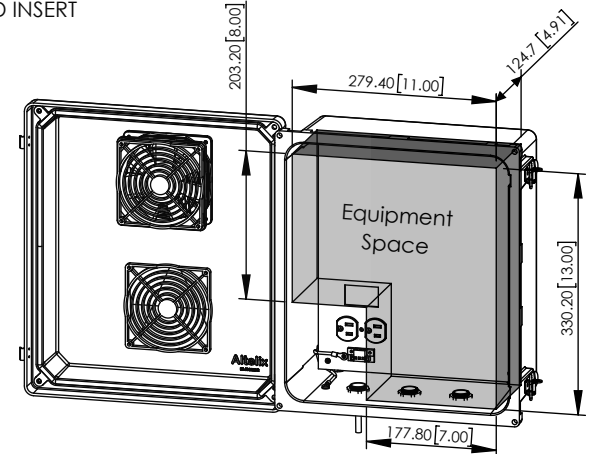
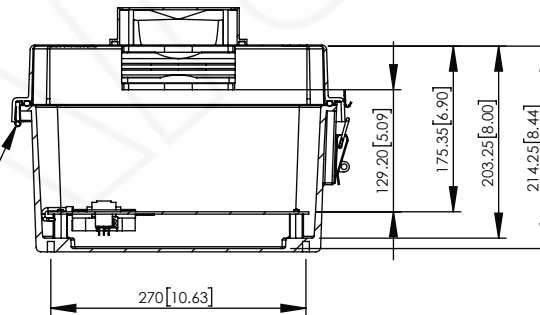


SECTION B-B



CABLE GLANDS  
GROUND LUG  
STAINLESS STEEL PIANO HINGE

SECTION A-A



NOTE:

- NEMA RATED TYPE 3R, 3RX/IP24 (ENCLOSURE PORTS MUST BE PROPERLY SEALED TO MAINTAIN NEMA RATING)
- FLAME RATED UL94-5V

NO.	DESCRIPTION	MATERIAL	FINISH	QTY.
8	-	-	-	-
7	-	-	-	-
6	-	-	-	-
5	-	-	-	-
4	-	-	-	-
3	-	-	-	-
2	-	-	-	-
1	NEMA ENCLOSURE	FRP	-	1

UNLESS OTHERWISE SPECIFIED:  
DIMENSIONS ARE IN MILLIMETERS.  
DIMENSIONS IN [ ] ARE IN INCHES AND ARE FOR CUSTOMER REFERENCE ONLY.

TOLERANCES FOR MILLIMETERS:  
0.5-8mm ± 0.20mm  
8-30mm ± 0.40mm  
30-120mm ± 0.50mm

TASK	NAME	DATE
DRAWN BY	K.A.B.	05/11/22
CHECKED	-	-
APPROVED	-	-



1201 Clint Moore Road  
Boca Raton, FL 33487  
TEL: 561-660-WIFI

PART DESCRIPTION		
14 X 12 X 8 NEMA ENCLOSURE WITH NON-METALLIC PLATE AND DIGITAL FAN CONTROLLER, 120VAC WITH POWER CORD		
PART NUMBER	NF141208VMFA1C-DF	
DRAWING NUMBER	DRW-NF141208VMFA1C-DF	
SCALE:	1:8	REV: A
		SHEET 1 OF 1