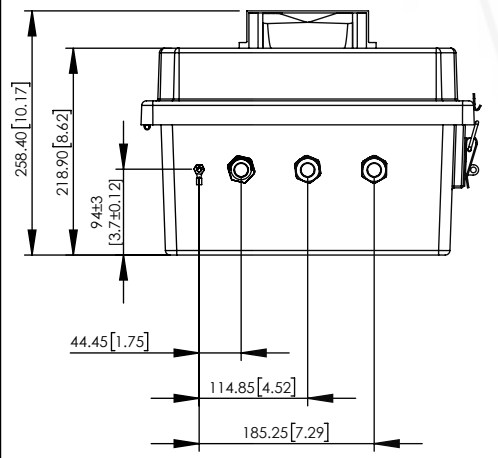
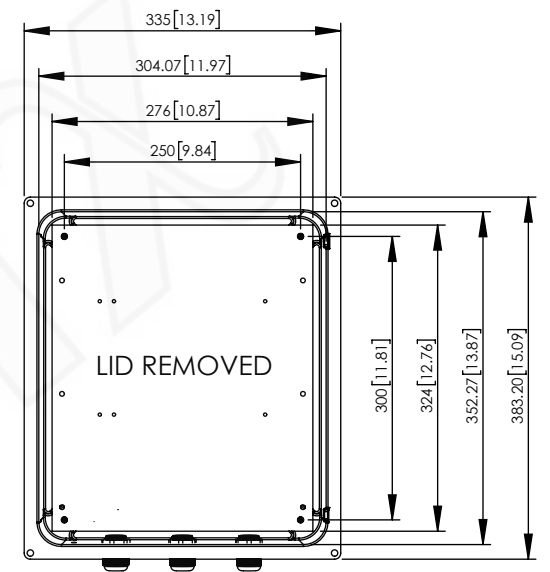
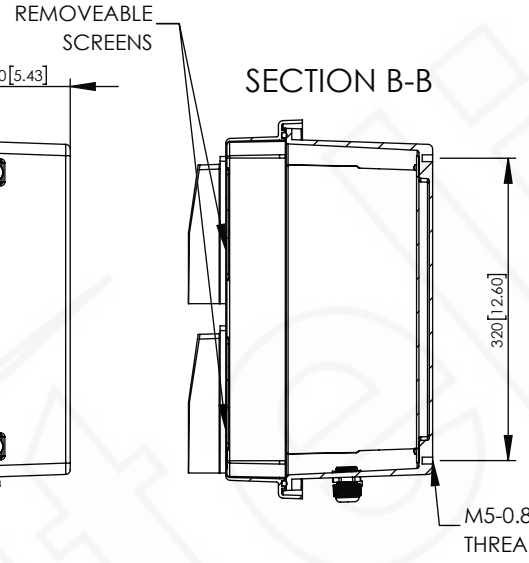
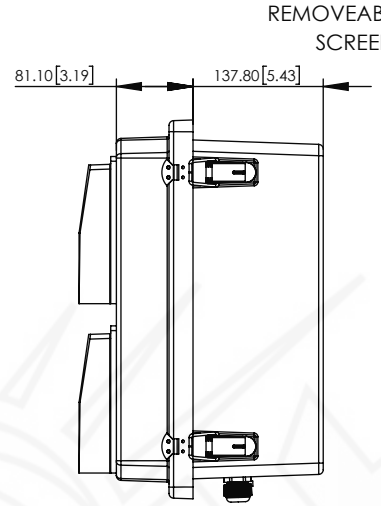
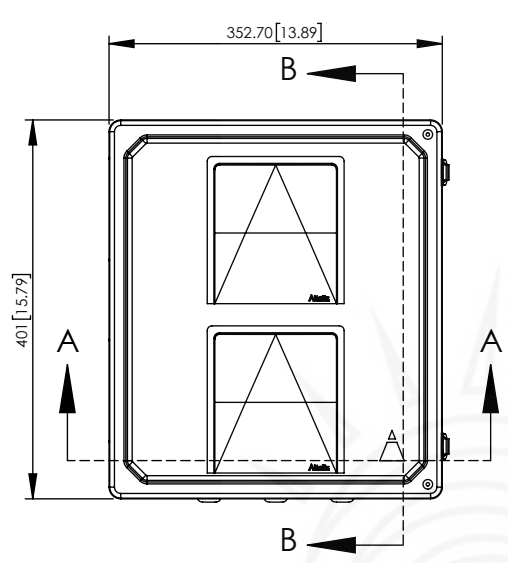
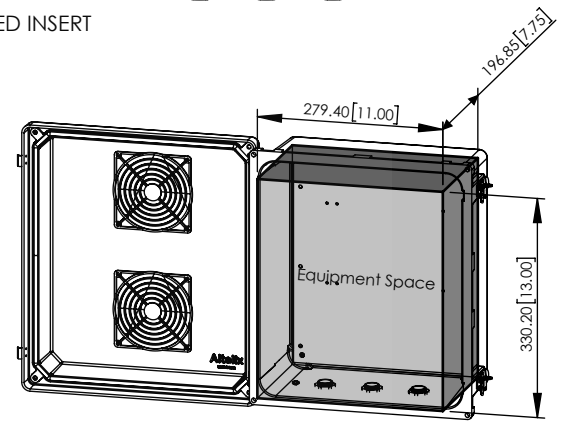
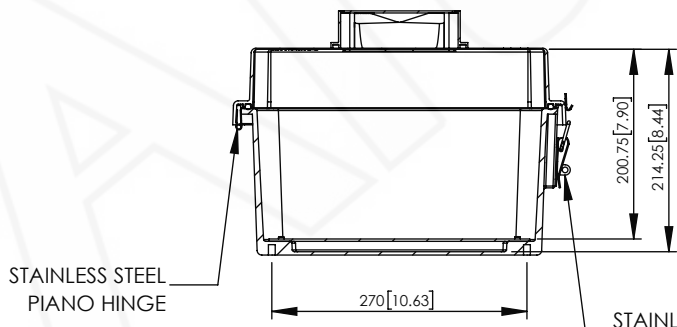


REV	DATE	DESCRIPTION
A	12/05/17	INITIAL RELEASE
B	05/11/20	ADDED CABLE GLANDS

THE INFORMATION CONTAINED IN THIS DRAWING IS THE SOLE PROPERTY OF ALTELIX LLC. ANY REPRODUCTION IN PART OR WHOLE WITHOUT THE WRITTEN PERMISSION OF ALTELIX LLC IS PROHIBITED. ALL SPECIFICATIONS SUBJECT TO CHANGE WITHOUT NOTICE. (C) 2017 ALTELIX LLC.



SECTION A-A



- NOTE:
- NEMA RATED TYPE 3R, 3RX / IP24
  - FLAME RATED UL94-5V

NO.	DESCRIPTION	MATERIAL	FINISH	QTY.
8	-	-	-	-
7	-	-	-	-
6	-	-	-	-
5	-	-	-	-
4	-	-	-	-
3	-	-	-	-
2	-	-	-	-
1	NEMA ENCLOSURE	FIBERGLASS REINFORCED POLYESTER	-	1

UNLESS OTHERWISE SPECIFIED:  
 DIMENSIONS ARE IN MILLIMETERS.  
 DIMENSIONS IN [ ] ARE IN INCHES AND  
 ARE FOR CUSTOMER REFERENCE ONLY.

TOLERANCES FOR MILLIMETERS:  
 0.5-8mm ± 0.20mm  
 8-30mm ± 0.40mm  
 30-120mm ± 0.50mm

TASK	NAME	DATE
DRAWN BY	N. COLUCCI	12/05/17
CHECKED	-	-
APPROVED	-	-

1201 Clint Moore Road  
 Boca Raton, FL 33487  
 TEL: 561-660-WIFI  
[www.altelix.com](http://www.altelix.com)

PART DESCRIPTION			
14 X 12 X 8 INCH NEMA ENCLOSURE WITH PLATE			
PART NUMBER		NF141208VP	
DRAWING NUMBER		DRW-NF141208VP	
SCALE:	1:8	REV:	B
		SHEET 1 OF 1	