

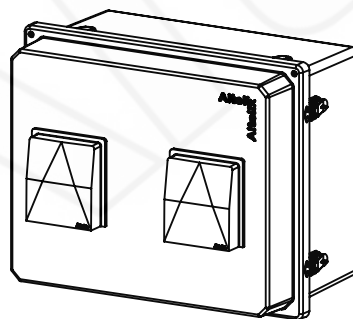
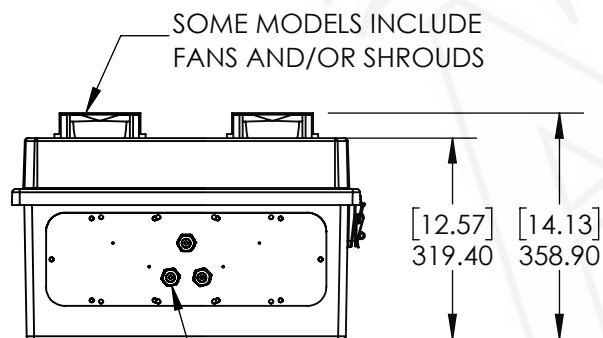
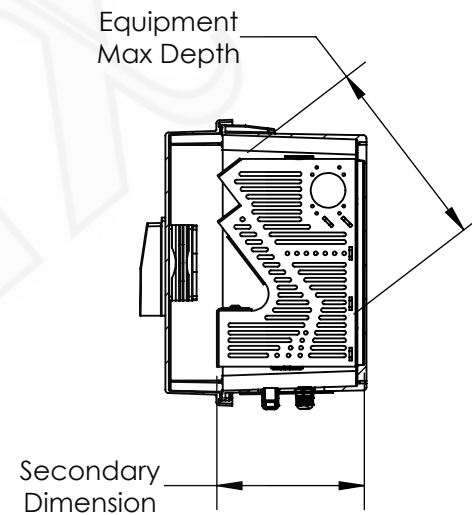
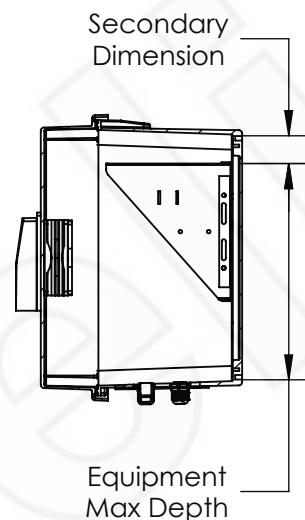
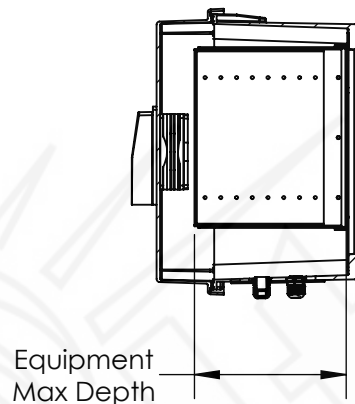
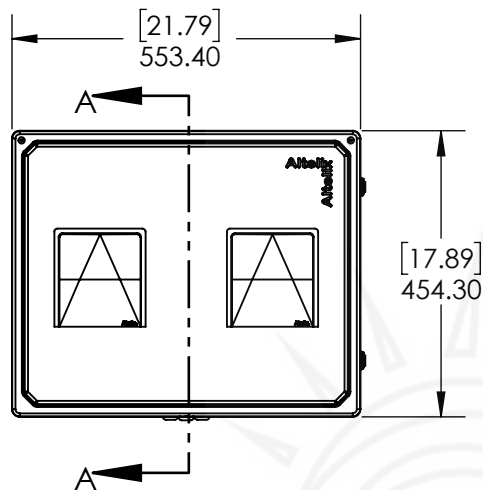
REV	DATE	DESCRIPTION
A	04-15-25	INITIAL RELEASE

THE INFORMATION CONTAINED IN THIS DRAWING IS THE SOLE PROPERTY OF ALTELIX LLC. ANY REPRODUCTION IN PART OR WHOLE WITHOUT THE WRITTEN PERMISSION OF ALTELIX LLC IS PROHIBITED. (C) 2019 ALTELIX LLC.

A-A (6U RACK)

A-A (4U VERTICAL RACK)

A-A (SLANTED RACK)



	Equipment Max Depth	Secondary Dimension
6U Rack	235-260 [9.25-10.25]	-
4U Rack	254-342 [10.0-13.5]	45-133 [1.75-5.25]
Slanted Rack	305 [12]	101-229 [4.0-9.0]

NO.	DESCRIPTION	MATERIAL	FINISH	QTY.
8	-	-	-	-
7	-	-	-	-
6	-	-	-	-
5	-	-	-	-
4	-	-	-	-
3	-	-	-	-
2	-	-	-	-
1	NEMA ENCLOSURE	FRP	-	1

UNLESS OTHERWISE SPECIFIED:
DIMENSIONS ARE IN MILLIMETERS.
DIMENSIONS IN [] ARE IN INCHES AND
ARE FOR CUSTOMER REFERENCE ONLY.

TOLERANCES FOR MILLIMETERS:
0.5-8mm ± 0.20mm
8-30mm ± 0.40mm
30-120mm ± 0.50mm

TASK	NAME	DATE
DRAWN BY	N. COLUCCI	06/17/26
CHECKED	-	-
APPROVED	-	-

Altelix
www.altelix.com

1201 Clint Moore Road
Boca Raton, FL 33487
TEL: 561-660-WIFI

PART DESCRIPTION		
16X20X12 Rack Enclosures		
PART NUMBER		NF162012-BR
DRAWING NUMBER		DRW-NF162012-BR
SCALE: 1:12	REV: A	SHEET 1 OF 1