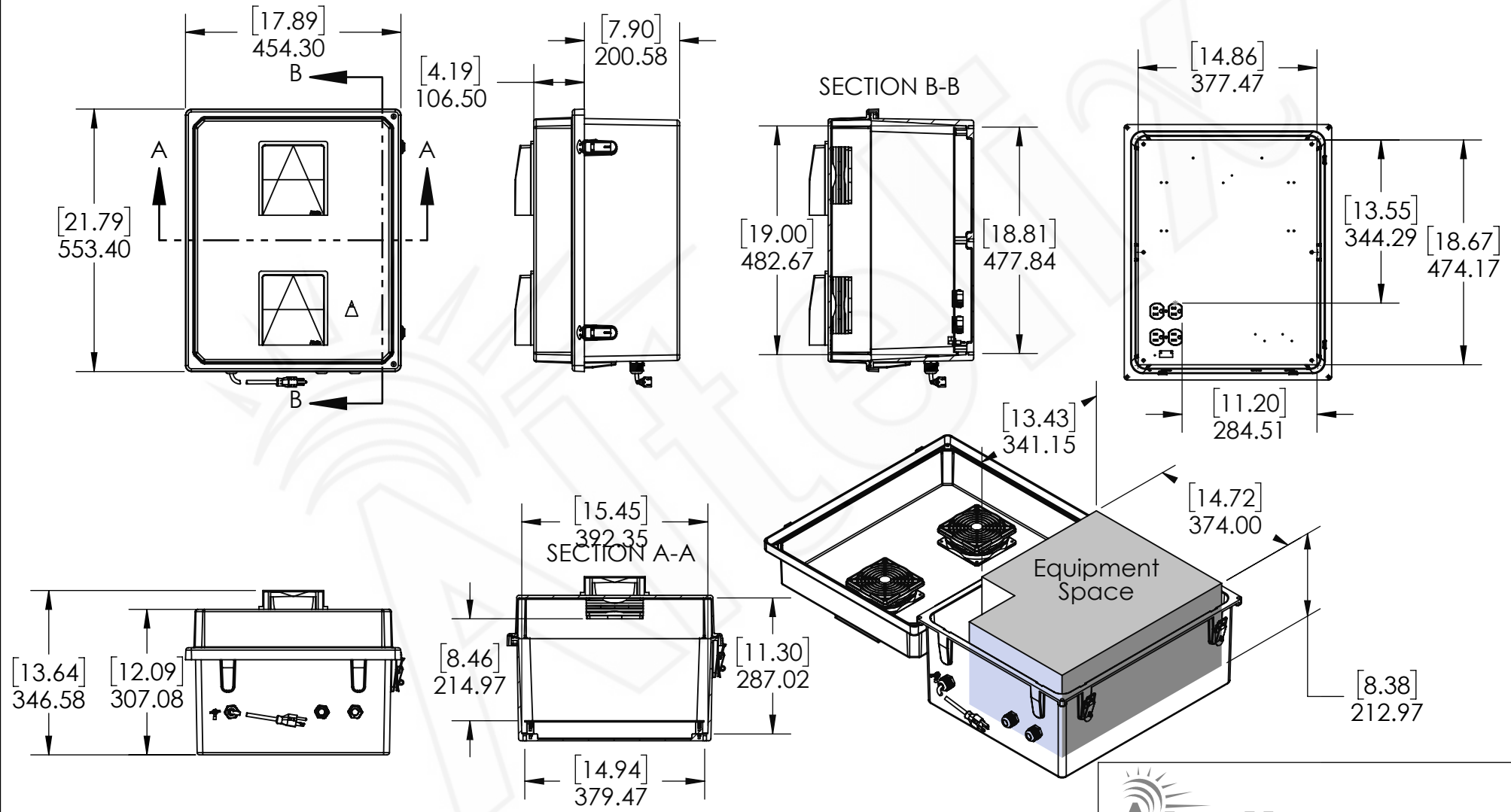


REV	DATE	DESCRIPTION
A	04/26/24	INITIAL RELEASE

THE INFORMATION CONTAINED IN THIS DRAWING IS THE SOLE PROPERTY OF ALTILIX LLC. ANY REPRODUCTION IN PART OR WHOLE WITHOUT THE WRITTEN PERMISSION OF ALTILIX LLC IS PROHIBITED. (C) 2019 ALTILIX LLC.



NO.	DESCRIPTION	MATERIAL	FINISH	QTY.
8	-	-	-	-
7	-	-	-	-
6	-	-	-	-
5	-	-	-	-
4	-	-	-	-
3	-	-	-	-
2	-	-	-	-
1	NEMA ENCLOSURE	FIBERGLASS REINFORCED POLYESTER	-	1

UNLESS OTHERWISE SPECIFIED:  
 DIMENSIONS ARE IN MILLIMETERS.  
 DIMENSIONS IN [ ] ARE IN INCHES AND  
 ARE FOR CUSTOMER REFERENCE ONLY.

TOLERANCES FOR MILLIMETERS:  
 0.5-8mm ± 0.20mm  
 8-30mm ± 0.40mm  
 30-120mm ± 0.50mm

TASK	NAME	DATE
DRAWN BY	C.CADENAS	04/26/24
CHECKED	N.COLUCCI	04/29/24
APPROVED	-	-

**Altelix**  
 www.altelix.com

1201 Clint Moore Road  
 Boca Raton, FL 33487  
 TEL: 561-660-WIFI

PART DESCRIPTION			
20X16X12 INCH NEMA ENCLOSURE			
PART NUMBER		NF201612VFA1C	
DRAWING NUMBER		DRW-NF201612VFA1C	
SCALE:	1:12	REV:	A
		SHEET 1 OF 1	