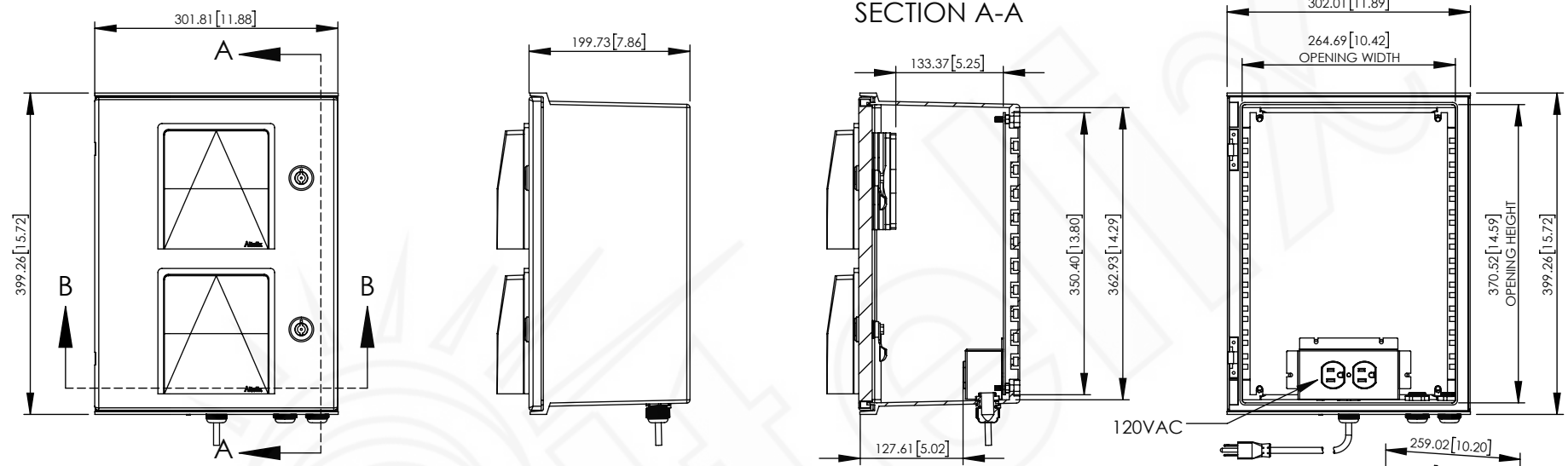


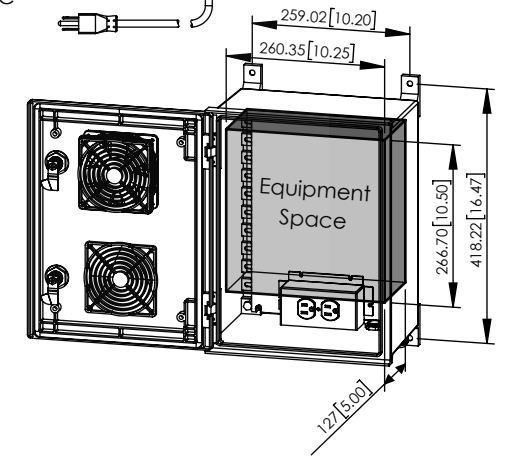
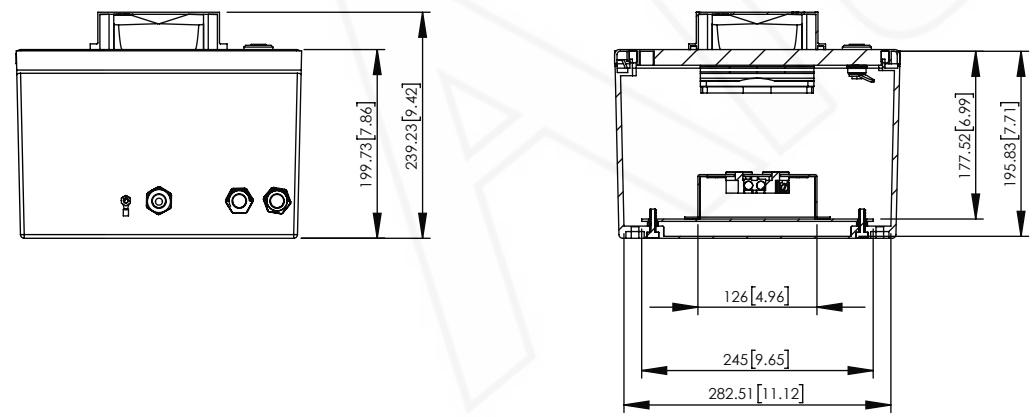
REV	DATE	DESCRIPTION
A	12/12/18	INITIAL RELEASE
B	05/01/20	ADDED CABLE GLANDS

THE INFORMATION CONTAINED IN THIS DRAWING IS THE SOLE PROPERTY OF ALTELIX LLC. ANY REPRODUCTION IN PART OR WHOLE WITHOUT THE WRITTEN PERMISSION OF ALTELIX LLC IS PROHIBITED. ALL SPECIFICATIONS SUBJECT TO CHANGE WITHOUT NOTICE. (C) 2017 ALTELIX LLC.

SECTION A-A



SECTION B-B



NO.	DESCRIPTION	MATERIAL	FINISH	QTY.
8	-	-	-	-
7	-	-	-	-
6	-	-	-	-
5	-	-	-	-
4	-	-	-	-
3	-	-	-	-
2	-	-	-	-
1	NEMA ENCLOSURE	FIBER REINFORCED POLYESTER	-	1

UNLESS OTHERWISE SPECIFIED:
 DIMENSIONS ARE IN MILLIMETERS.
 DIMENSIONS IN [] ARE IN INCHES AND ARE FOR CUSTOMER REFERENCE ONLY.

TOLERANCES FOR MILLIMETERS:
 0.5-8mm ± 0.20mm
 8-30mm ± 0.40mm
 30-120mm ± 0.50mm

TASK	NAME	DATE
DRAWN BY	N. COLUCCI	12/12/18
CHECKED	-	-
APPROVED	-	-

1201 Clint Moore Road
 Boca Raton, FL 33487
 TEL: 561-660-WIFI
www.altelix.com

PART DESCRIPTION			
16 X 12 X 8 VENTED ENCLOSURE WITH 120VAC AND FAN			
PART NUMBER		NFC161208VFA1C	
DRAWING NUMBER		DRW-NFC161208VFA1C	
SCALE:	1:8	REV:	B
			SHEET 1 OF 1