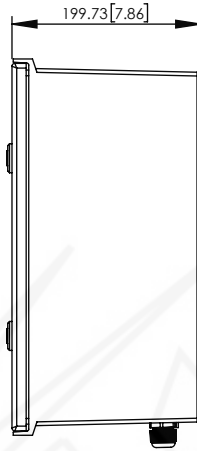
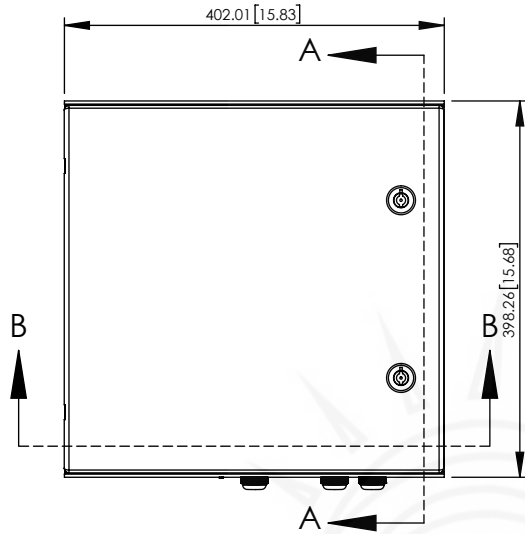
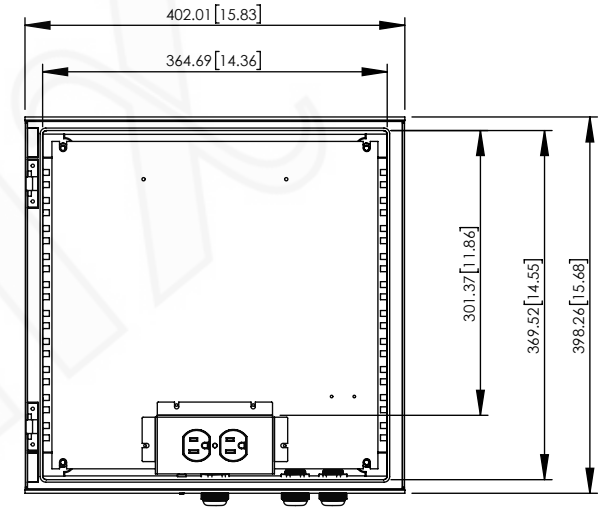
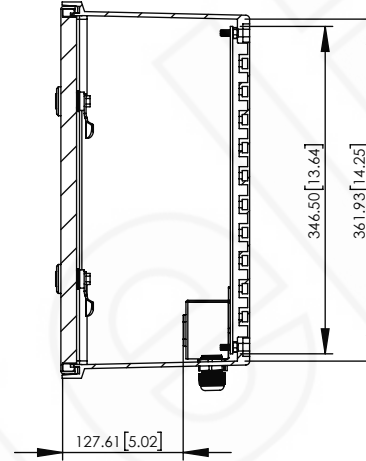


REV	DATE	DESCRIPTION
A	12/06/18	INITIAL RELEASE
B	05/01/20	ADDED CABLE GLANDS

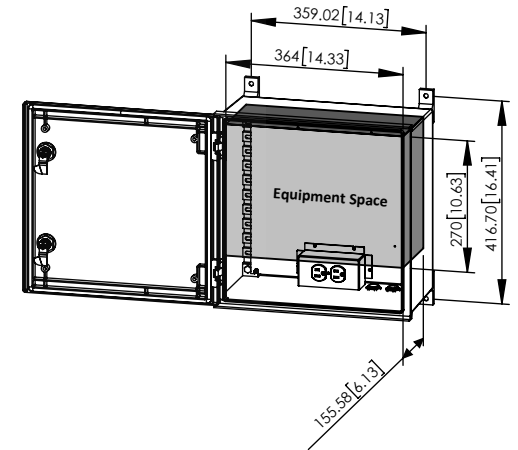
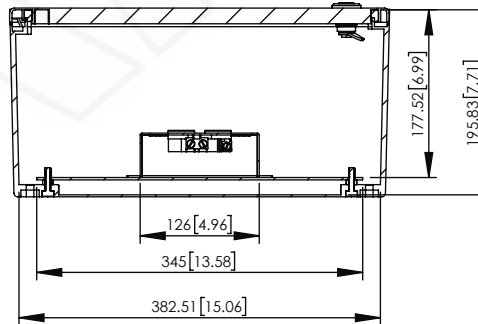
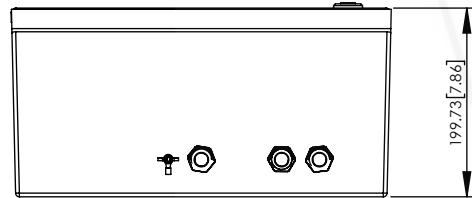
THE INFORMATION CONTAINED IN THIS DRAWING IS THE SOLE PROPERTY OF ALTELIX LLC. ANY REPRODUCTION IN PART OR WHOLE WITHOUT THE WRITTEN PERMISSION OF ALTELIX LLC IS PROHIBITED. ALL SPECIFICATIONS SUBJECT TO CHANGE WITHOUT NOTICE. (C) 2017 ALTELIX LLC.



SECTION A-A



SECTION B-B



NO.	DESCRIPTION	MATERIAL	FINISH	QTY.
8	-	-	-	-
7	-	-	-	-
6	-	-	-	-
5	-	-	-	-
4	-	-	-	-
3	-	-	-	-
2	-	-	-	-
1	NEMA ENCLOSURE	FIBER REINFORCED POLYESTER	-	1

UNLESS OTHERWISE SPECIFIED:  
DIMENSIONS ARE IN MILLIMETERS.  
DIMENSIONS IN [ ] ARE IN INCHES AND  
ARE FOR CUSTOMER REFERENCE ONLY.

TOLERANCES FOR MILLIMETERS:  
0.5-8mm ± 0.20mm  
8-30mm ± 0.40mm  
30-120mm ± 0.50mm

TASK	NAME	DATE
DRAWN BY	N. COLUCCI	12/06/18
CHECKED	-	-
APPROVED	-	-

**Altelix**  
www.altelix.com  
1201 Clint Moore Road  
Boca Raton, FL 33487  
TEL: 561-660-WIFI

PART DESCRIPTION 16 X 16 X 8 NEMA ENCLOSURE WITH 120VAC		
PART NUMBER		NFC161608A1
DRAWING NUMBER		DRW-NFC161608A1
SCALE:	1:8	REV: B
		SHEET 1 OF 1