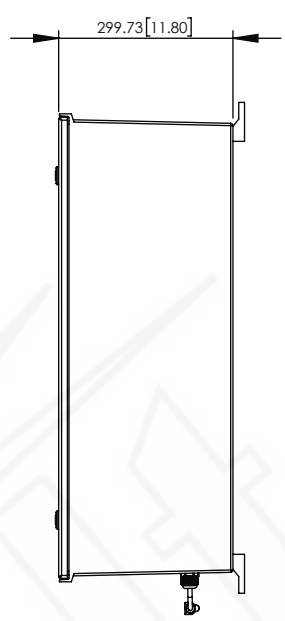
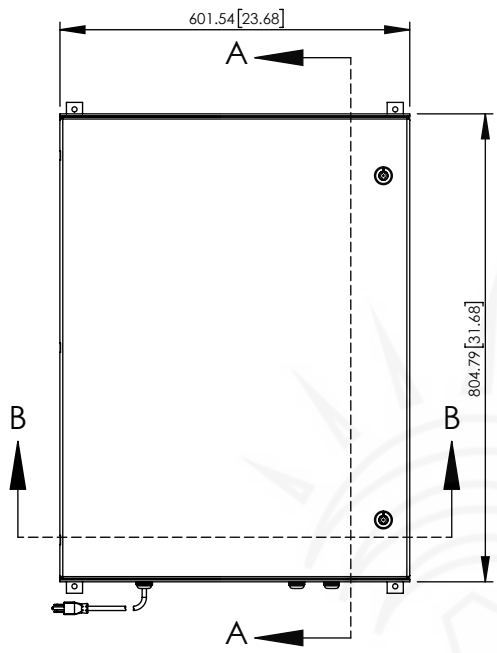
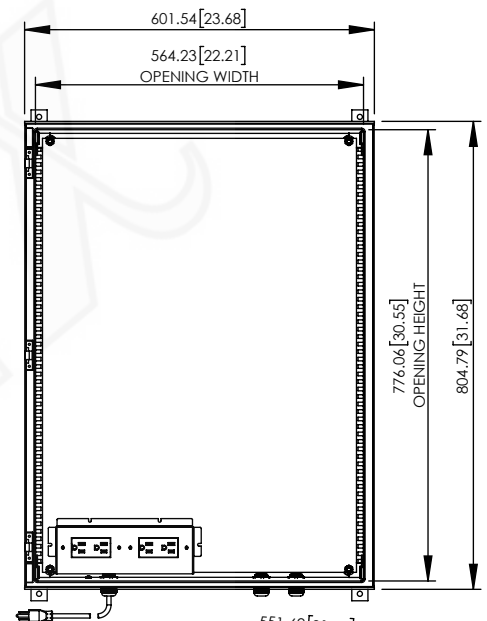
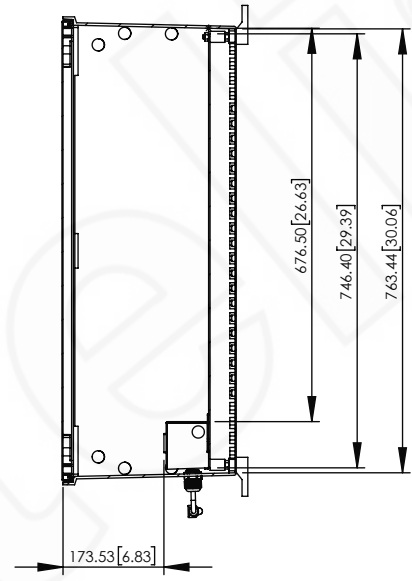


REV	DATE	DESCRIPTION
A	12/06/18	INITIAL RELEASE
B	06/19/20	ADDED CABLE GLANDS

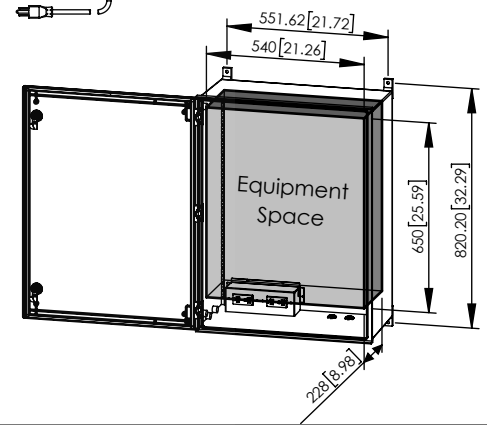
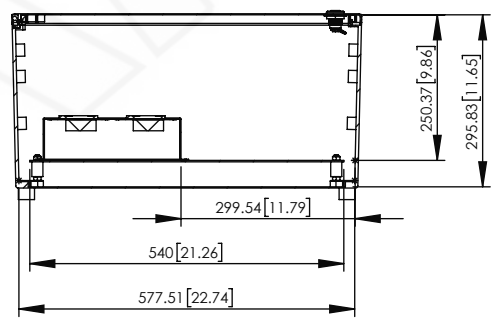
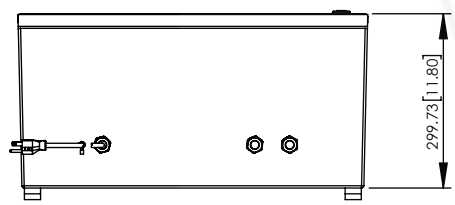
THE INFORMATION CONTAINED IN THIS DRAWING IS THE SOLE PROPERTY OF ALTILIX LLC. ANY REPRODUCTION IN PART OR WHOLE WITHOUT THE WRITTEN PERMISSION OF ALTILIX LLC IS PROHIBITED. (C) 2018 ALTILIX LLC.



SECTION A-A



SECTION B-B



NO.	DESCRIPTION	MATERIAL	FINISH	QTY.
8	-	-	-	-
7	-	-	-	-
6	-	-	-	-
5	-	-	-	-
4	-	-	-	-
3	-	-	-	-
2	-	-	-	-
1	-	-	-	-

UNLESS OTHERWISE SPECIFIED:
 DIMENSIONS ARE IN MILLIMETERS.
 DIMENSIONS IN [] ARE IN INCHES AND
 ARE FOR CUSTOMER REFERENCE ONLY.

TOLERANCES FOR MILLIMETERS:
 0.5-8mm ± 0.20mm
 8-30mm ± 0.40mm
 30-120mm ± 0.50mm

TASK	NAME	DATE
DRAWN BY	N. COLUCCI	12/06/18
CHECKED	-	-
APPROVED	-	-



1201 Clint Moore Road
 Boca Raton, FL 33487
 TEL: 561-660-WIFI
www.altelix.com

PART DESCRIPTION		
32 X 24 X 12 NEMA ENCLOSURE WITH 120VAC AND HEAT		
PART NUMBER	NFC322412HA1C	
DRAWING NUMBER	DRW-NFC322412HA1C	
SCALE: 1:13	REV: B	SHEET 1 OF 1