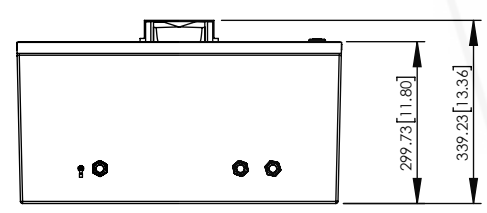
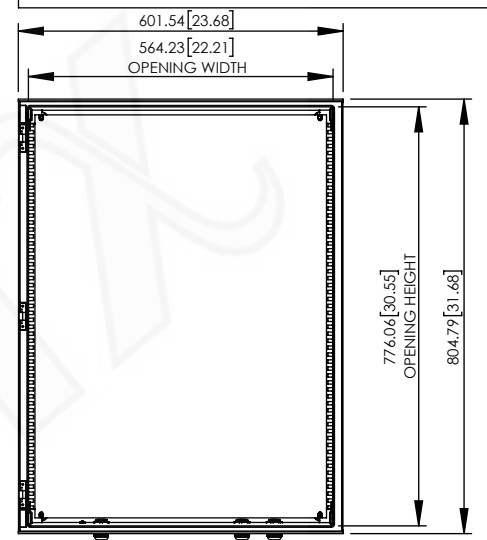
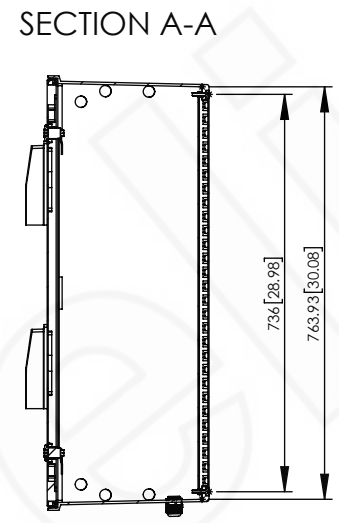
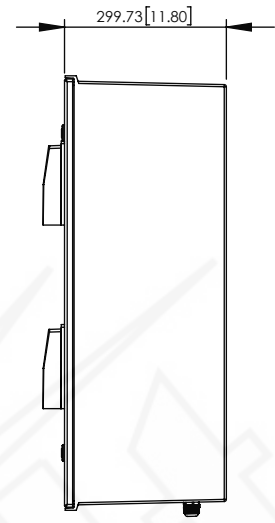
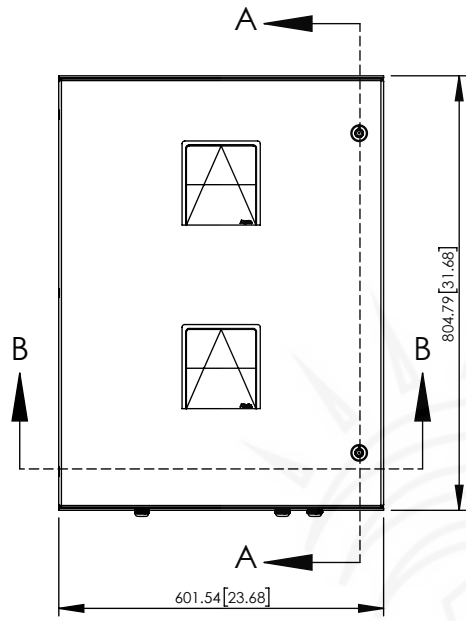
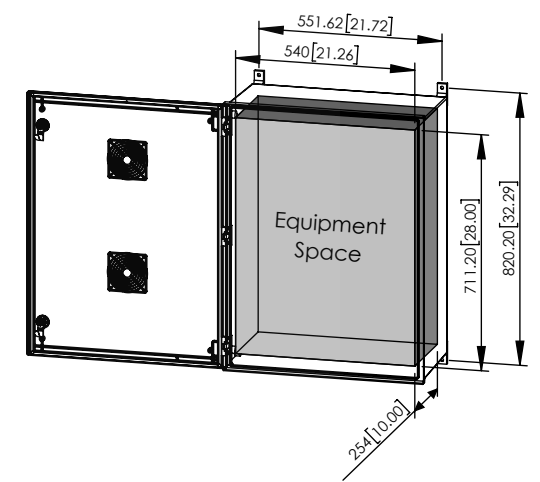
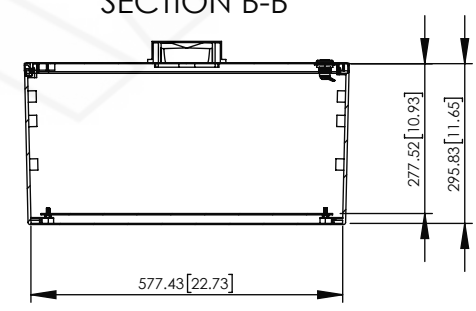


REV	DATE	DESCRIPTION
A	12/03/18	INITIAL RELEASE
B	07/02/20	ADDED CABLE GLANDS

THE INFORMATION CONTAINED IN THIS DRAWING IS THE SOLE PROPERTY OF ALTELIX LLC. ANY REPRODUCTION IN PART OR WHOLE WITHOUT THE WRITTEN PERMISSION OF ALTELIX LLC IS PROHIBITED. (C) 2018 ALTELIX LLC.



SECTION B-B



NO.	DESCRIPTION	MATERIAL	FINISH	QTY.
8	-	-	-	-
7	-	-	-	-
6	-	-	-	-
5	-	-	-	-
4	-	-	-	-
3	-	-	-	-
2	-	-	-	-
1	-	-	-	-

UNLESS OTHERWISE SPECIFIED:  
 DIMENSIONS ARE IN MILLIMETERS.  
 DIMENSIONS IN [ ] ARE IN INCHES AND  
 ARE FOR CUSTOMER REFERENCE ONLY.

TOLERANCES FOR MILLIMETERS:  
 0.5-8mm ± 0.20mm  
 8-30mm ± 0.40mm  
 30-120mm ± 0.50mm

TASK	NAME	DATE
DRAWN BY	N. COLUCCI	12/03/18
CHECKED	-	-
APPROVED	-	-



1201 Clint Moore Road  
 Boca Raton, FL 33487  
 TEL: 561-660-WIFI  
[www.altelix.com](http://www.altelix.com)

PART DESCRIPTION		
32 X 24 X 12 VENTED ENCLOSURE WITH MOUNTING PLATE		
PART NUMBER	NFC322412VP	
DRAWING NUMBER	DRW-NFC322412VP	
SCALE: 1:14	REV: B	SHEET 1 OF 1