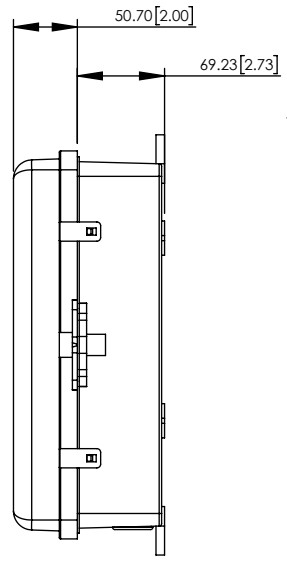
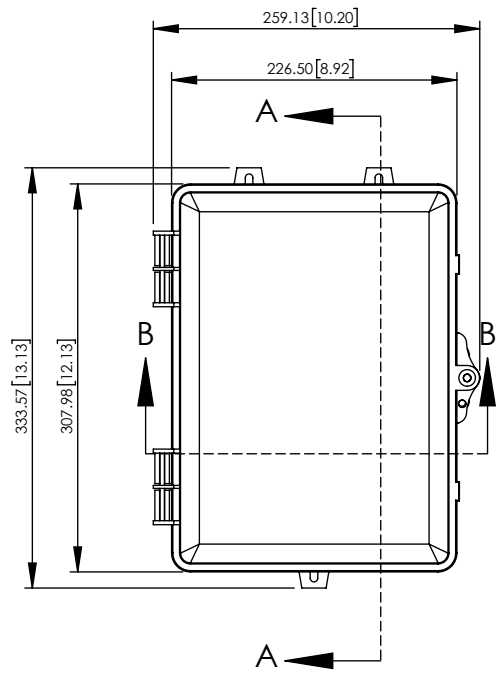


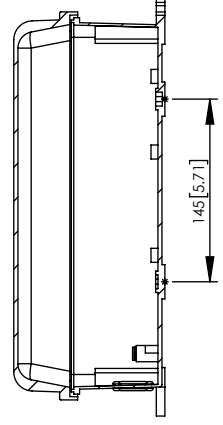
REV	DATE	DESCRIPTION
A	03/16/20	INITIAL RELEASE
B	06/08/20	ADDED SPECIFICATIONS

THE INFORMATION CONTAINED IN THIS DRAWING IS THE SOLE PROPERTY OF ALTELIX LLC. ANY REPRODUCTION IN PART OR WHOLE WITHOUT THE WRITTEN PERMISSION OF ALTELIX LLC IS PROHIBITED. ALL SPECIFICATIONS SUBJECT TO CHANGE WITHOUT NOTICE. (C) 2019 ALTELIX LLC.

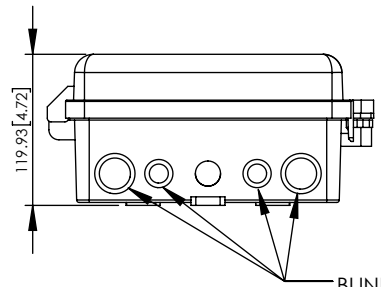


SECTION A-A

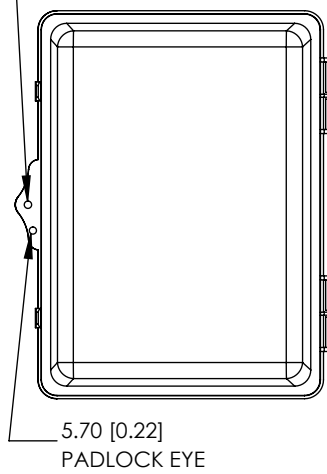
M6-1.0 TAMPER PROOF SECURITY SCREW



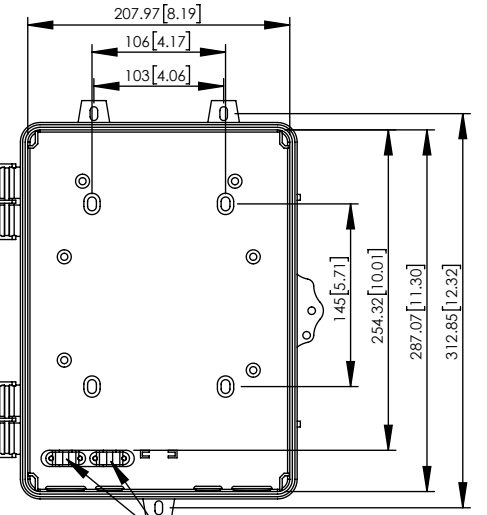
SECTION B-B



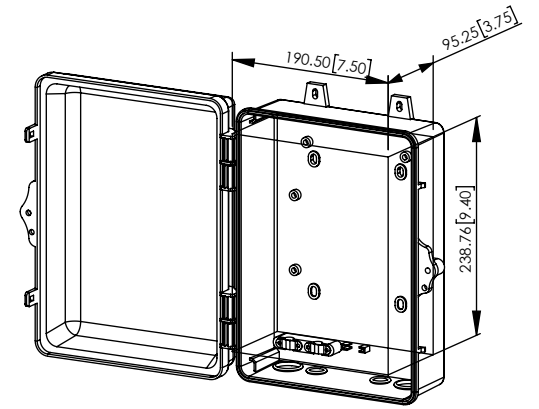
BLIND CABLE GROMMETS
(30mm and 20mm Diameter)



5.70 [0.22]
PADLOCK EYE



WIRE CLAMPS



NO.	DESCRIPTION	MATERIAL	FINISH	QTY.
8	-	-	-	-
7	-	-	-	-
6	-	-	-	-
5	-	-	-	-
4	-	-	-	-
3	-	-	-	-
2	-	-	-	-
1	NEMA ENCLOSURE	PC+ABS	-	1

UNLESS OTHERWISE SPECIFIED:
DIMENSIONS ARE IN MILLIMETERS.
DIMENSIONS IN [] ARE IN INCHES AND
ARE FOR CUSTOMER REFERENCE ONLY.

TOLERANCES FOR MILLIMETERS:
0.5-8mm ± 0.20mm
8-30mm ± 0.40mm
30-120mm ± 0.50mm

TASK	NAME	DATE
DRAWN BY	N.S.C.	03/16/20
CHECKED	-	-
APPROVED	-	-



1201 Clint Moore Road
Boca Raton, FL 33487
TEL: 561-660-9434

PART DESCRIPTION			
12 x 9 x 5 NEMA ENCLOSURE			
PART NUMBER		NP120905	
DRAWING NUMBER		DRW-NP120905	
SCALE:	1:6	REV:	B
		SHEET 1 OF 1	