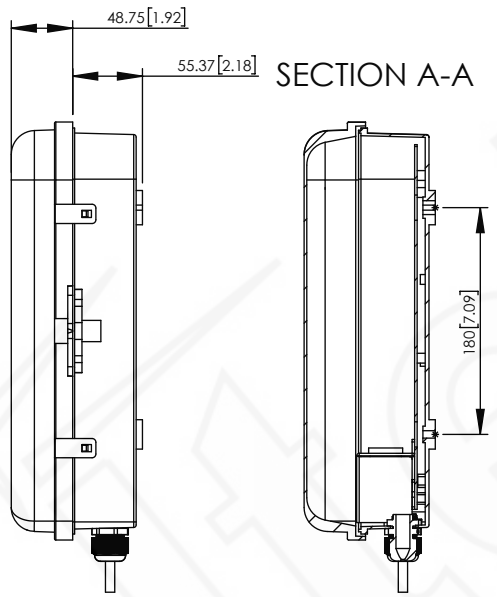
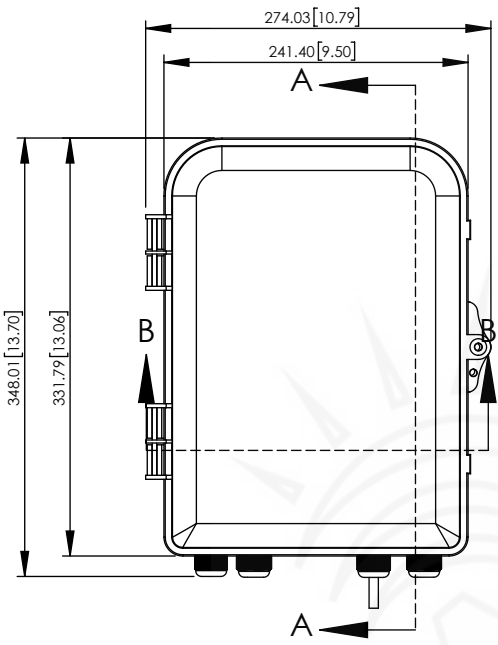


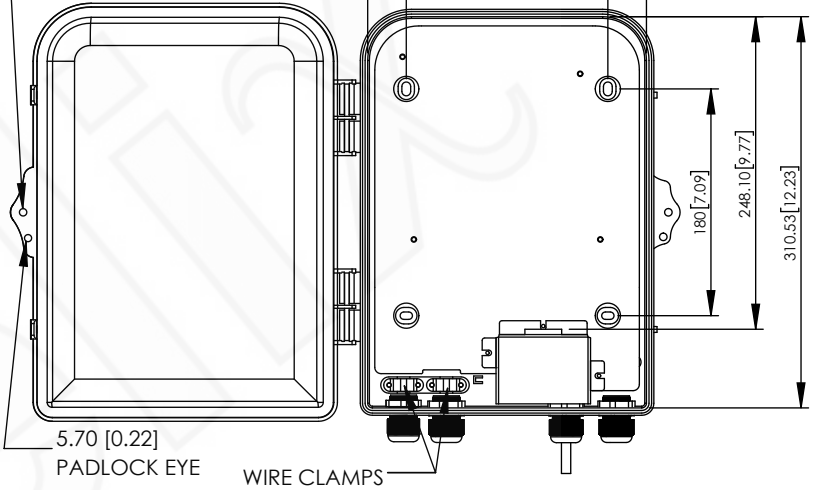
REV	DATE	DESCRIPTION
A	09/15/21	INITIAL RELEASE

THE INFORMATION CONTAINED IN THIS DRAWING IS THE SOLE PROPERTY OF ALTELIX LLC. ANY REPRODUCTION IN PART OR WHOLE WITHOUT THE WRITTEN PERMISSION OF ALTELIX LLC IS PROHIBITED. ALL SPECIFICATIONS SUBJECT TO CHANGE WITHOUT NOTICE. (C) 2019 ALTELIX LLC.

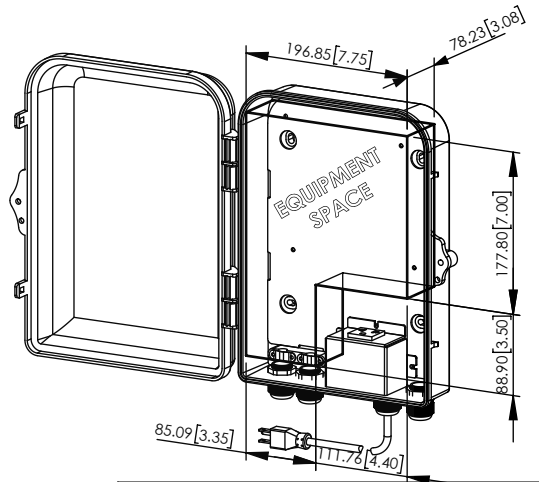
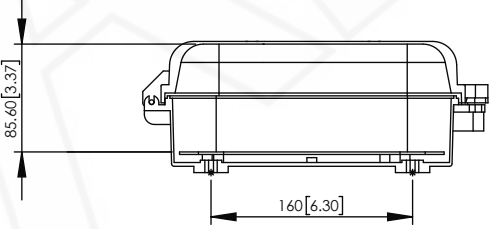
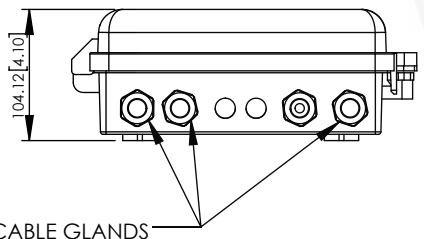


M6-1.0 TAMPER PROOF SECURITY SCREW

SECTION A-A



SECTION B-B



SEALED CABLE GLANDS

Altelix
www.altelix.com

1201 Clint Moore Road
Boca Raton, FL 33487
TEL: 561-660-9434

NO.	DESCRIPTION	MATERIAL	FINISH	QTY.
8	-	-	-	-
7	-	-	-	-
6	-	-	-	-
5	-	-	-	-
4	-	-	-	-
3	-	-	-	-
2	-	-	-	-
1	NEMA ENCLOSURE	PC+ABS	-	1

UNLESS OTHERWISE SPECIFIED:
DIMENSIONS ARE IN MILLIMETERS.
DIMENSIONS IN [] ARE IN INCHES AND
ARE FOR CUSTOMER REFERENCE ONLY.

TOLERANCES FOR MILLIMETERS:
0.5-8mm ± 0.20mm
8-30mm ± 0.40mm
30-120mm ± 0.50mm

TASK	NAME	DATE
DRAWN BY	K. BURGNER	09/15/21
CHECKED	-	-
APPROVED	-	-

PART DESCRIPTION	
13 x 10 x 4 NEMA ENCLOSURE 120VAC WITH NON-METALLIC PLATE	
PART NUMBER	NP131004MA1C
DRAWING NUMBER	DRW-NP131004MA1C
SCALE: 1:5	REV: A
SHEET 1 OF 1	