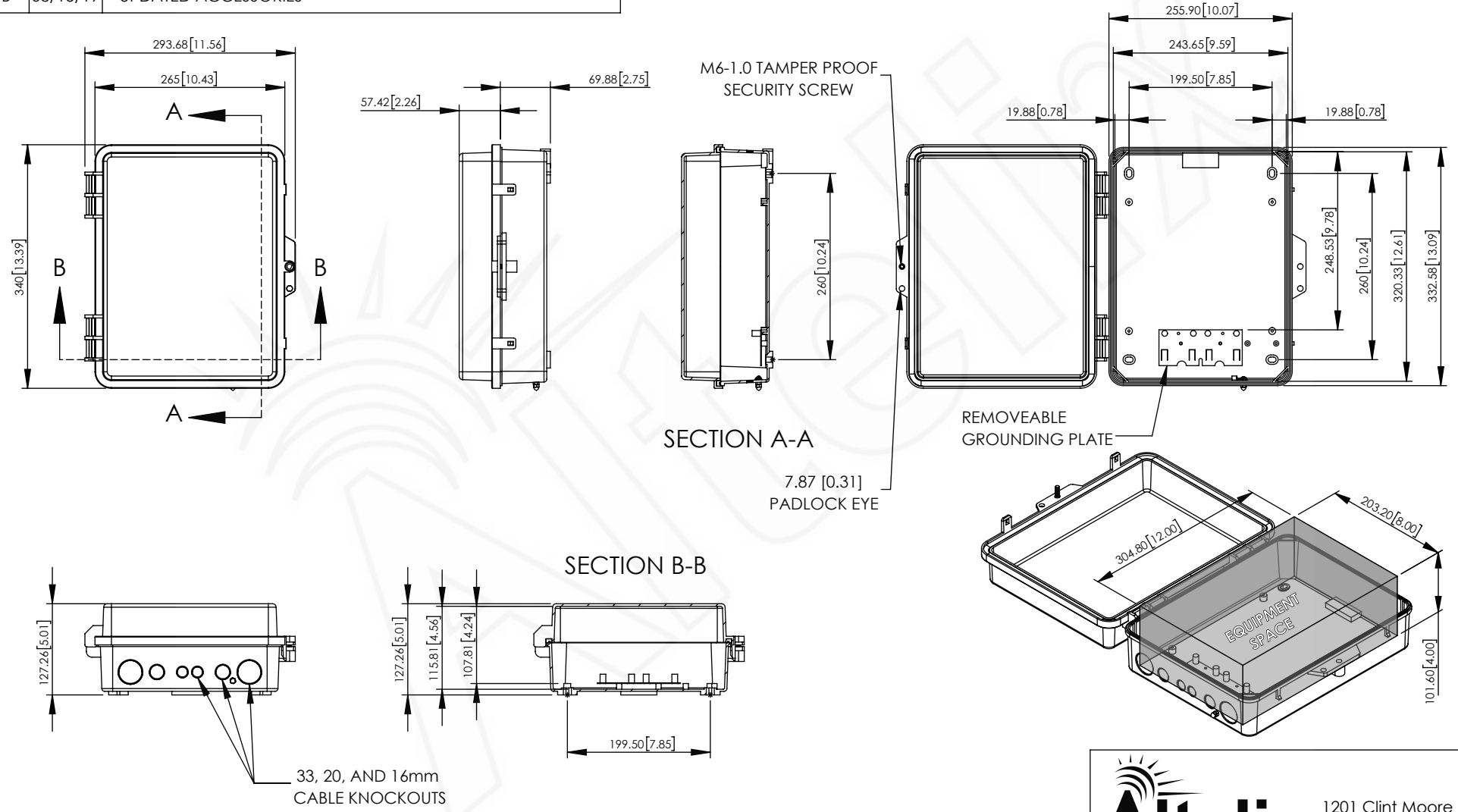


REV	DATE	DESCRIPTION
A	01/09/18	INITIAL RELEASE
B	08/15/19	UPDATED ACCESSORIES

THE INFORMATION CONTAINED IN THIS DRAWING IS THE SOLE PROPERTY OF ALTELIX LLC. ANY REPRODUCTION IN PART OR WHOLE WITHOUT THE WRITTEN PERMISSION OF ALTELIX LLC IS PROHIBITED. ALL SPECIFICATIONS SUBJECT TO CHANGE WITHOUT NOTICE. (C) 2017 ALTELIX LLC.



NO.	DESCRIPTION	MATERIAL	FINISH	QTY.
8	-	-	-	-
7	-	-	-	-
6	-	-	-	-
5	-	-	-	-
4	-	-	-	-
3	-	-	-	-
2	-	-	-	-
1	NEMA ENCLOSURE	PC+ABS	-	1

UNLESS OTHERWISE SPECIFIED:
DIMENSIONS ARE IN MILLIMETERS.
DIMENSIONS IN [] ARE IN INCHES AND ARE FOR CUSTOMER REFERENCE ONLY.

TOLERANCES FOR MILLIMETERS:
0.5-8mm ± 0.20mm
8-30mm ± 0.40mm
30-120mm ± 0.50mm

TASK	NAME	DATE
DRAWN BY	N. COLUCCI	01/09/18
CHECKED	-	-
APPROVED	-	-

1201 Clint Moore Road
Boca Raton, FL 33487
TEL: 561-660-WIFI
www.altelix.com

PART DESCRIPTION			
14 x 11 x 5 NEMA ENCLOSURE			
PART NUMBER		NP141105	
DRAWING NUMBER		DRW-NP141105	
SCALE:	1:8	REV:	B
			SHEET 1 OF 1