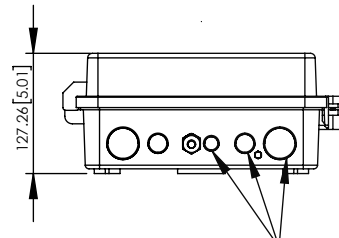
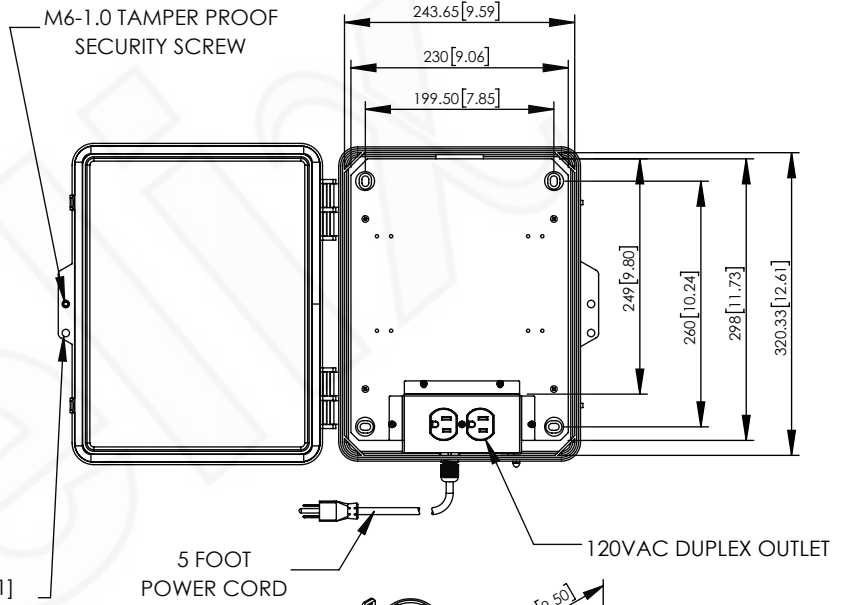
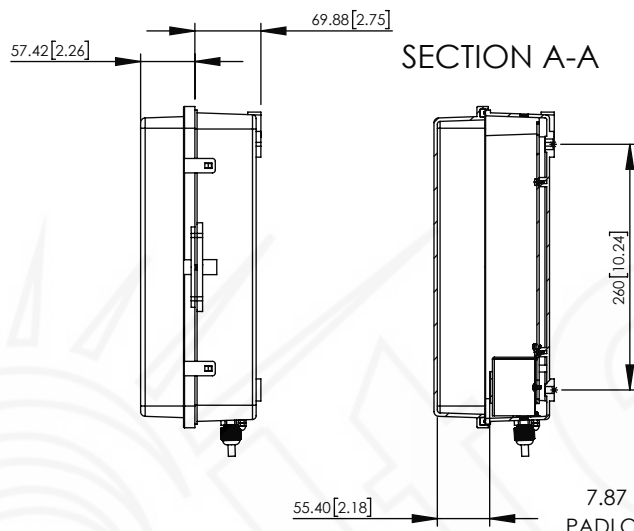
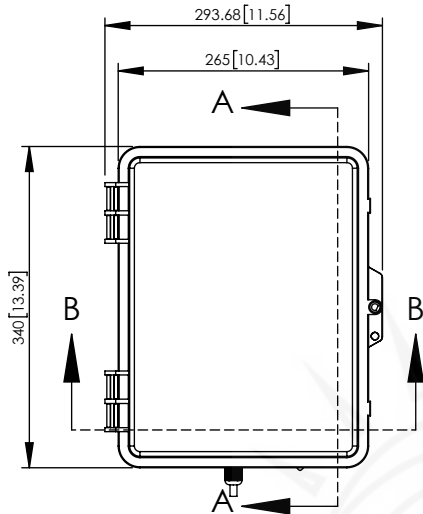
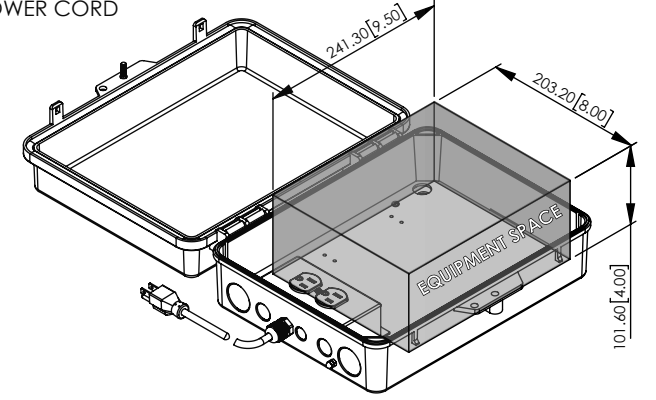
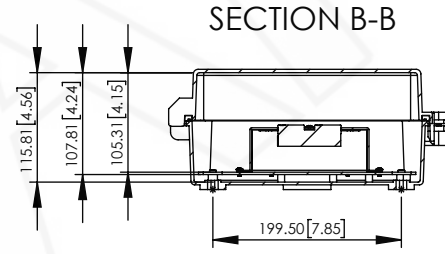


REV	DATE	DESCRIPTION
A	01/09/18	INITIAL RELEASE
B	09/26/18	ADDED CLARITY

THE INFORMATION CONTAINED IN THIS DRAWING IS THE SOLE PROPERTY OF ALTILIX LLC. ANY REPRODUCTION IN PART OR WHOLE WITHOUT THE WRITTEN PERMISSION OF ALTILIX LLC IS PROHIBITED. ALL SPECIFICATIONS SUBJECT TO CHANGE WITHOUT NOTICE. (C) 2017 ALTILIX LLC.



33, 20, AND 16mm  
CABLE KNOCKOUTS



NO.	DESCRIPTION	MATERIAL	FINISH	QTY.
8	-	-	-	-
7	-	-	-	-
6	-	-	-	-
5	-	-	-	-
4	-	-	-	-
3	-	-	-	-
2	MOUNTING PLATE	ALUMINUM	-	1
1	NEMA ENCLOSURE	PC+ABS	-	1

UNLESS OTHERWISE SPECIFIED:  
DIMENSIONS ARE IN MILLIMETERS.  
DIMENSIONS IN [ ] ARE IN INCHES AND  
ARE FOR CUSTOMER REFERENCE ONLY.

TOLERANCES FOR MILLIMETERS:  
0.5-8mm ± 0.20mm  
8-30mm ± 0.40mm  
30-120mm ± 0.50mm

TASK	NAME	DATE
DRAWN BY	N. COLUCCI	01/09/18
CHECKED	-	-
APPROVED	-	-

**Altelix**  
www.altelix.com

1201 Clint Moore Road  
Boca Raton, FL 33487  
TEL: 561-660-WIFI

PART DESCRIPTION		
14 x 11 x 5 NEMA ENCLOSURE WITH 120VAC AND POWER CORD		
PART NUMBER		NP141105A1C
DRAWING NUMBER		DRW-NP141105A1C
SCALE:	1:8	REV: B
		SHEET 1 OF 1