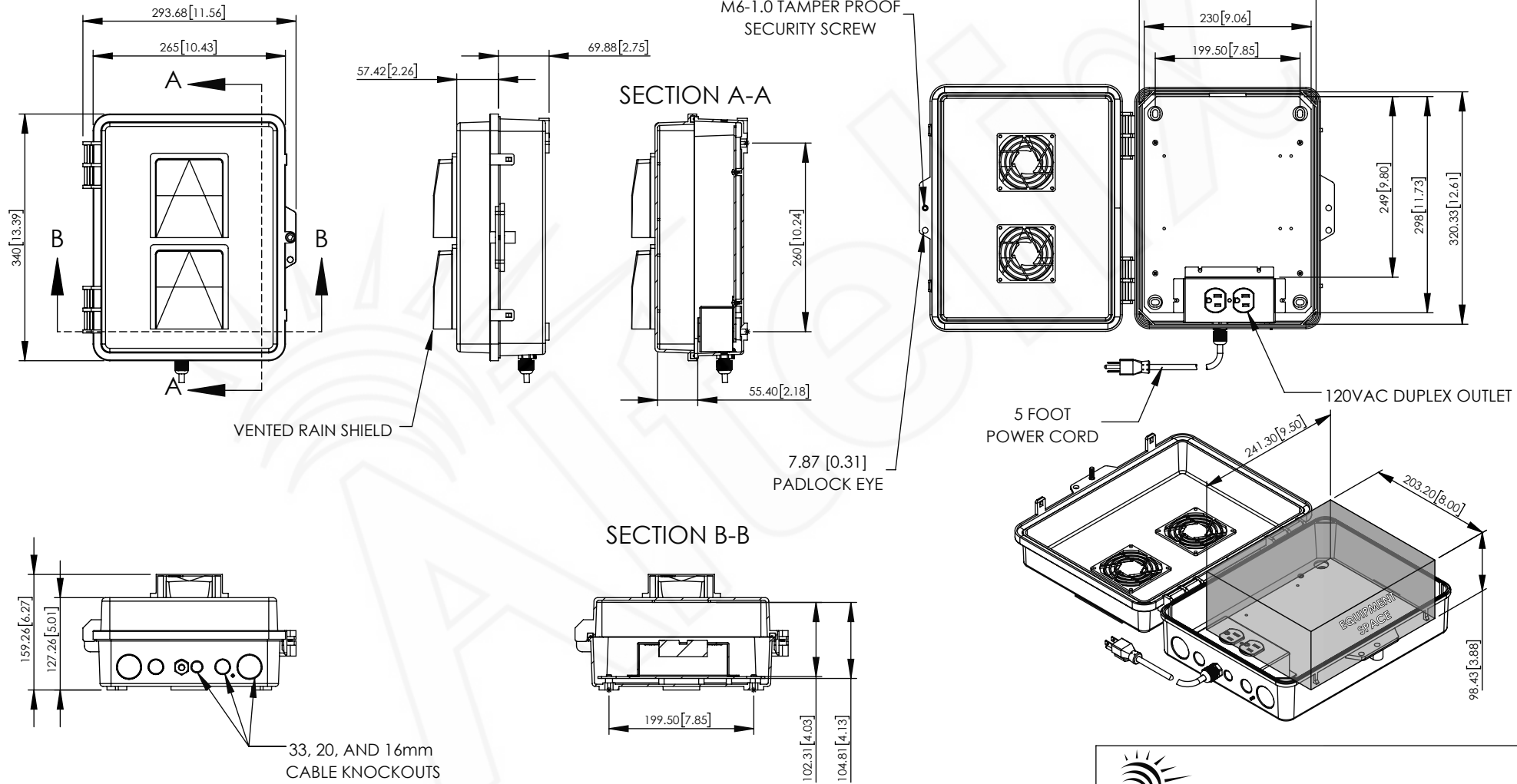


REV	DATE	DESCRIPTION
A	01/09/18	INITIAL RELEASE
B	09/28/18	ADDED CLARITY
C	01/10/19	UPDATED FAN SHROUD

THE INFORMATION CONTAINED IN THIS DRAWING IS THE SOLE PROPERTY OF ALTELIX LLC. ANY REPRODUCTION IN PART OR WHOLE WITHOUT THE WRITTEN PERMISSION OF ALTELIX LLC IS PROHIBITED. ALL SPECIFICATIONS SUBJECT TO CHANGE WITHOUT NOTICE. (C) 2017 ALTELIX LLC.



NO.	DESCRIPTION	MATERIAL	FINISH	QTY.
8	-	-	-	-
7	-	-	-	-
6	-	-	-	-
5	-	-	-	-
4	-	-	-	-
3	-	-	-	-
2	MOUNTING PLATE	ALUMINUM	-	1
1	NEMA ENCLOSURE	PC+ABS	-	1

UNLESS OTHERWISE SPECIFIED:  
 DIMENSIONS ARE IN MILLIMETERS.  
 DIMENSIONS IN [ ] ARE IN INCHES AND  
 ARE FOR CUSTOMER REFERENCE ONLY.

TOLERANCES FOR MILLIMETERS:  
 0.5-8mm ± 0.20mm  
 8-30mm ± 0.40mm  
 30-120mm ± 0.50mm

TASK	NAME	DATE
DRAWN BY	N. COLUCCI	01/09/18
CHECKED	-	-
APPROVED	-	-

**Altelix**  
 www.altelix.com

1201 Clint Moore Road  
 Boca Raton, FL 33487  
 TEL: 561-660-WIFI

PART DESCRIPTION			
14 x 11 x 5 VENTED NEMA WITH 120VAC AND POWER CORD			
PART NUMBER		NP141105VA1C	
DRAWING NUMBER		DRW-NP141105VA1C	
SCALE:	1:8	REV:	C
		SHEET 1 OF 1	