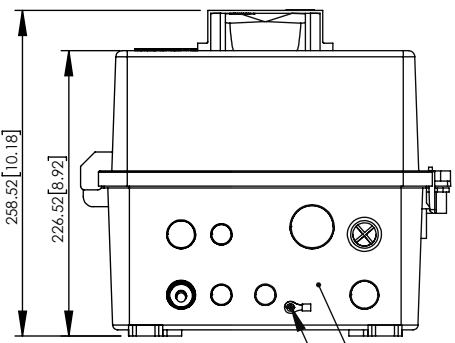
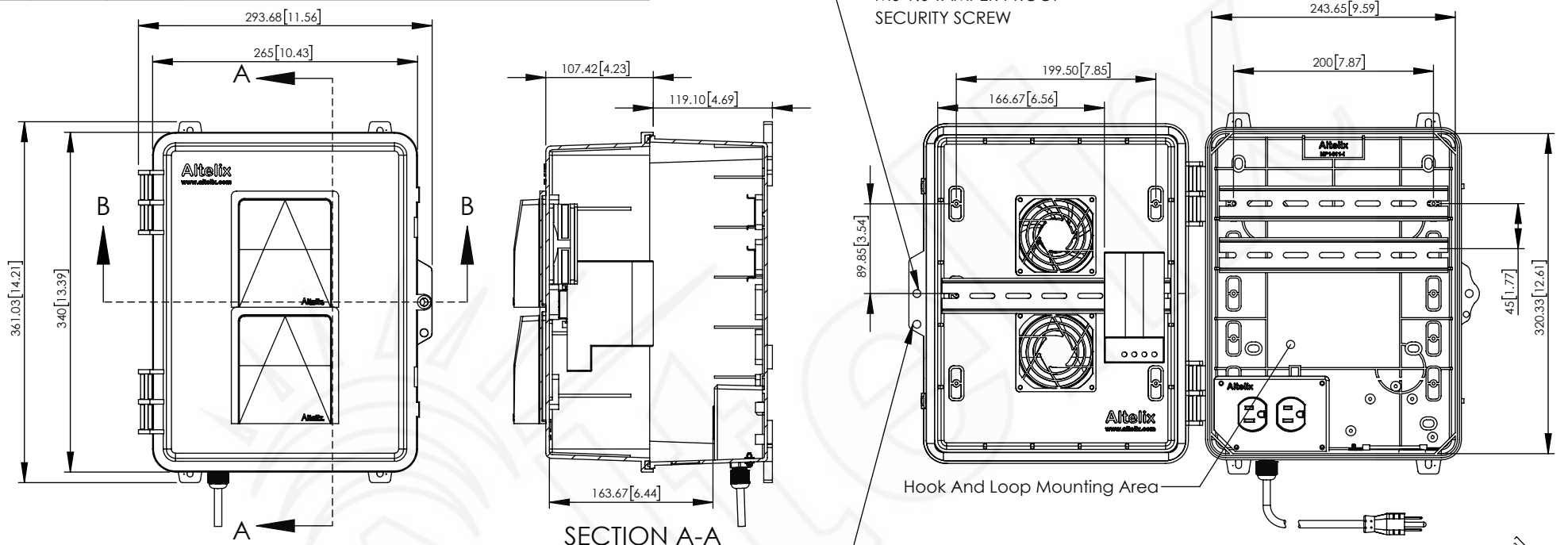
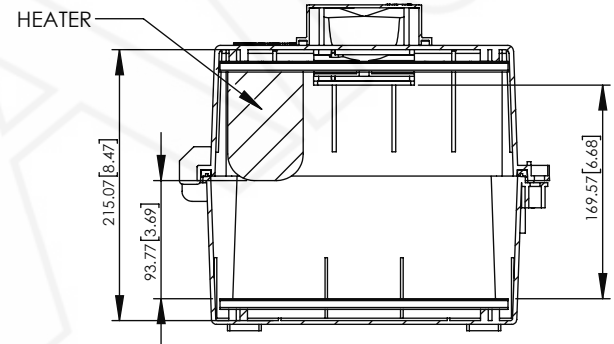


| REV | DATE     | DESCRIPTION     |
|-----|----------|-----------------|
| A   | 04/30/25 | INITIAL RELEASE |

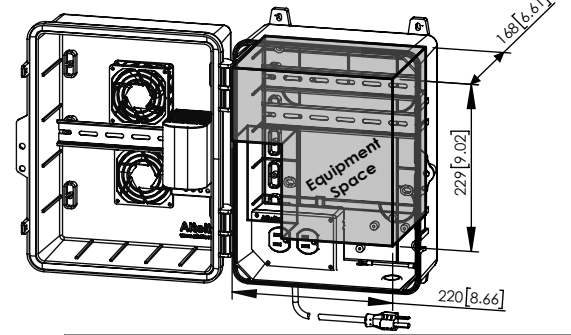
THE INFORMATION CONTAINED IN THIS DRAWING IS THE SOLE PROPERTY OF ALTELIX LLC. ANY REPRODUCTION IN PART OR WHOLE WITHOUT THE WRITTEN PERMISSION OF ALTELIX LLC IS PROHIBITED. (C) 2019 ALTELIX LLC.



33, 26, AND 16mm CABLE KNOCKOUTS  
Ground Lug



SECTION B-B  
SCALE 1 : 6



| NO. | DESCRIPTION    | MATERIAL | FINISH | QTY. |
|-----|----------------|----------|--------|------|
| 8   | -              | -        | -      | -    |
| 7   | -              | -        | -      | -    |
| 6   | -              | -        | -      | -    |
| 5   | -              | -        | -      | -    |
| 4   | -              | -        | -      | -    |
| 3   | -              | -        | -      | -    |
| 2   | -              | -        | -      | -    |
| 1   | NEMA ENCLOSURE | PC+ABS   | -      | 1    |

UNLESS OTHERWISE SPECIFIED:  
DIMENSIONS ARE IN MILLIMETERS.  
DIMENSIONS IN [ ] ARE IN INCHES AND  
ARE FOR CUSTOMER REFERENCE ONLY.

TOLERANCES FOR MILLIMETERS:  
0.5-8mm ± 0.20mm  
8-30mm ± 0.40mm  
30-120mm ± 0.50mm

| TASK     | NAME       | DATE     |
|----------|------------|----------|
| DRAWN BY | J.MONAGHAN | 04/30/25 |
| CHECKED  | -          | -        |
| APPROVED | -          | -        |

**Altelix** 1201 Clint Moore Road  
Boca Raton, FL 33487  
www.altelix.com TEL: 561-660-WIFI

| PART DESCRIPTION           |     |                        |              |
|----------------------------|-----|------------------------|--------------|
| 14 x 11 x 9 NEMA ENCLOSURE |     |                        |              |
| PART NUMBER                |     | NP141109VFHA1C-DIN     |              |
| DRAWING NUMBER             |     | DRW-NP141109VFHA1C-DIN |              |
| SCALE:                     | NTS | REV:                   | A            |
|                            |     |                        | SHEET 1 OF 1 |