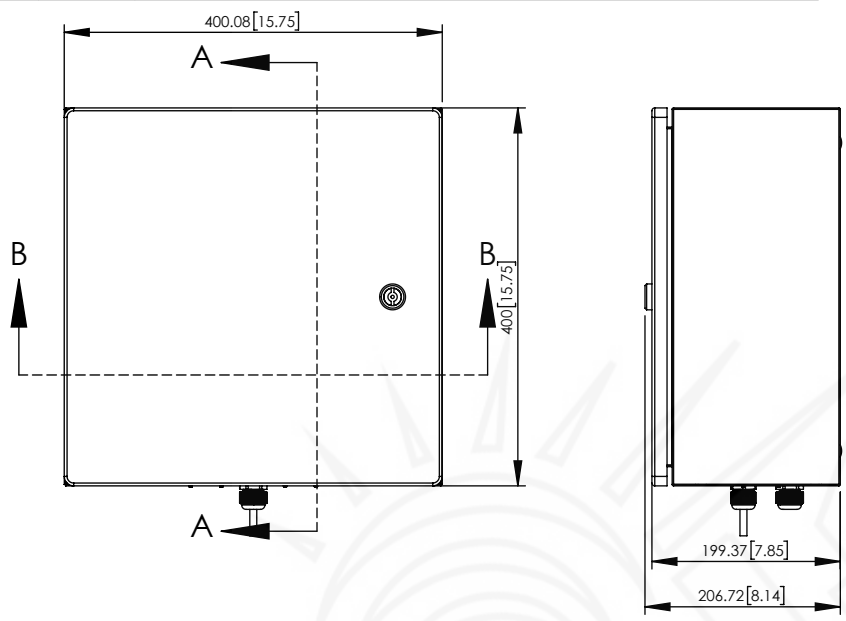
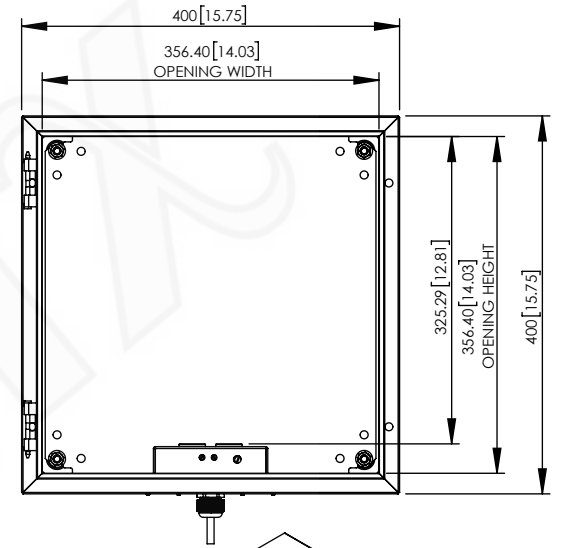
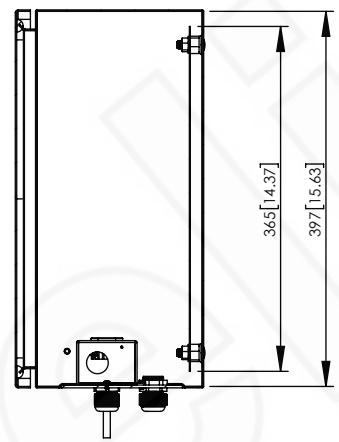


| REV | DATE | DESCRIPTION |
|-----|----------|-----------------|
| A | 08/21/19 | INITIAL RELEASE |

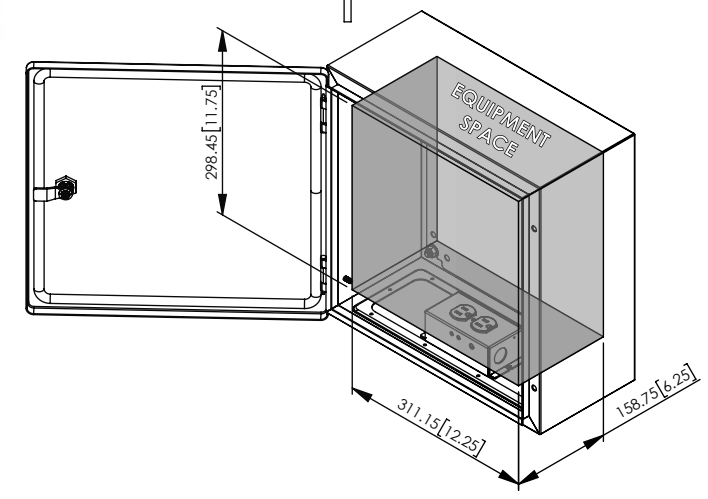
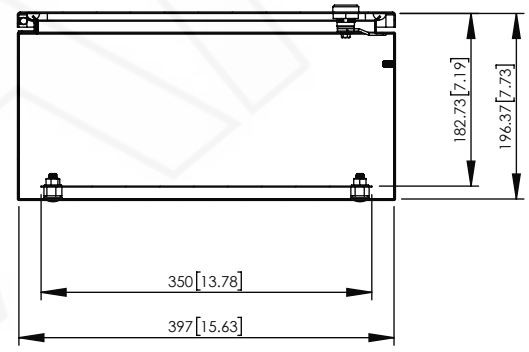
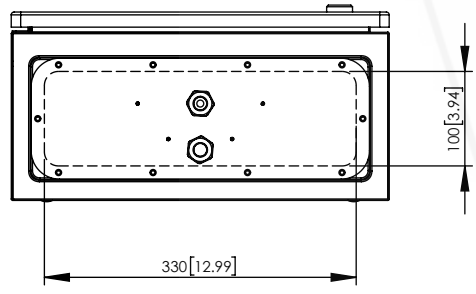
THE INFORMATION CONTAINED IN THIS DRAWING IS THE SOLE PROPERTY OF ALTELIX LLC. ANY REPRODUCTION IN PART OR WHOLE WITHOUT THE WRITTEN PERMISSION OF ALTELIX LLC IS PROHIBITED. (C) 2019 ALTELIX LLC.



SECTION A-A



SECTION B-B



| NO. | DESCRIPTION | MATERIAL | FINISH | QTY. |
|-----|-------------|----------|--------|------|
| 8 | - | - | - | - |
| 7 | - | - | - | - |
| 6 | - | - | - | - |
| 5 | - | - | - | - |
| 4 | - | - | - | - |
| 3 | - | - | - | - |
| 2 | - | - | - | - |
| 1 | - | - | - | - |

UNLESS OTHERWISE SPECIFIED:
 DIMENSIONS ARE IN MILLIMETERS.
 DIMENSIONS IN [] ARE IN INCHES AND
 ARE FOR CUSTOMER REFERENCE ONLY.

TOLERANCES FOR MILLIMETERS:
 0.5-8mm ± 0.20mm
 8-30mm ± 0.40mm
 30-120mm ± 0.50mm

| TASK | NAME | DATE |
|----------|------------|----------|
| DRAWN BY | N. COLUCCI | 08/21/19 |
| CHECKED | - | - |
| APPROVED | - | - |

Altelix
 www.altelix.com

1201 Clint Moore Road
 Boca Raton, FL 33487
 TEL: 561-660-WIFI

PART DESCRIPTION
**16 X 16 X 8 PAINTED STEEL
 NEMA ENCLOSURE**

PART NUMBER: NS161608A1C
 DRAWING NUMBER: DRW-NS161608A1C
 SCALE: 1:8 REV: A SHEET 1 OF 1