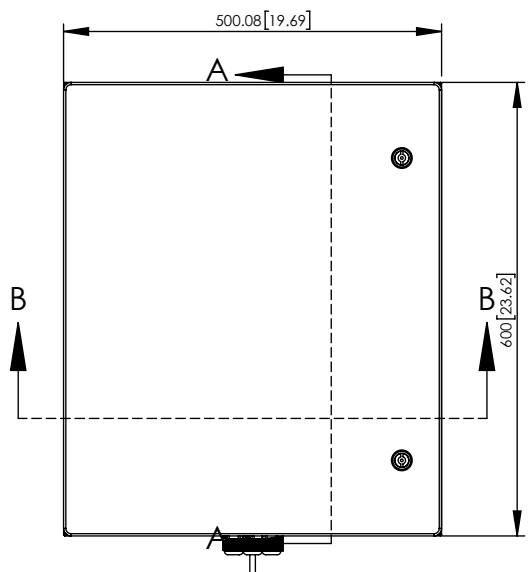
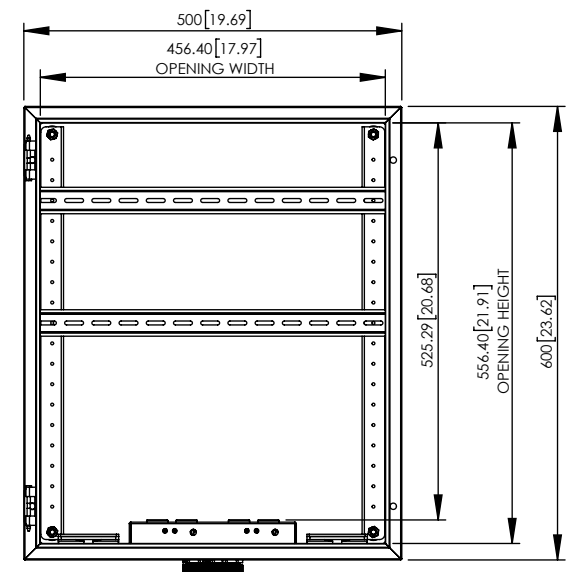
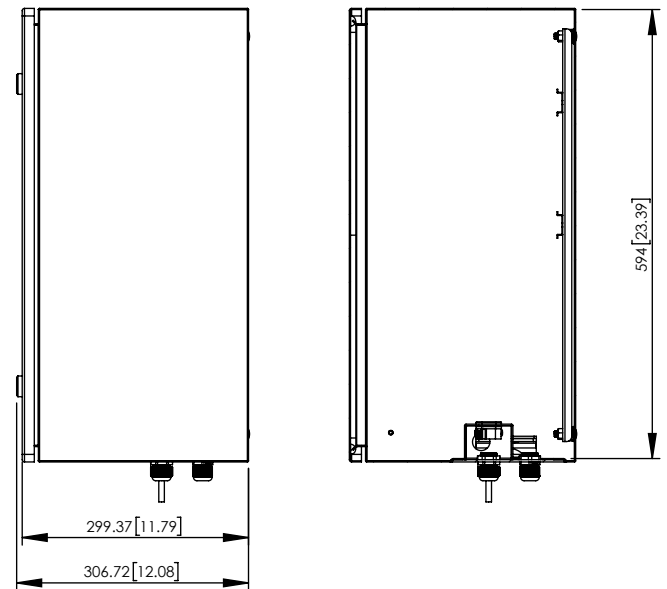


REV	DATE	DESCRIPTION
A	01/22/19	INITIAL RELEASE

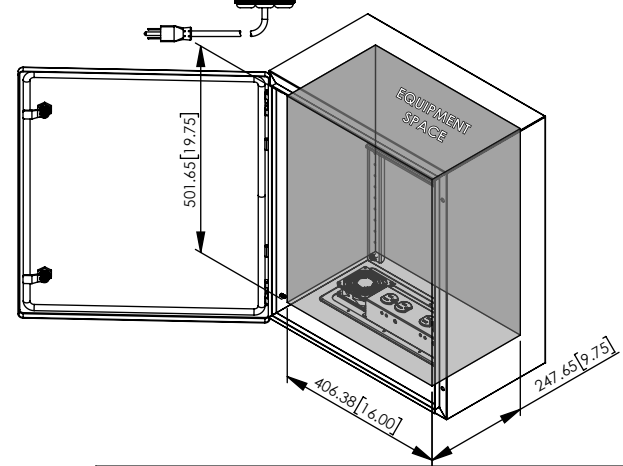
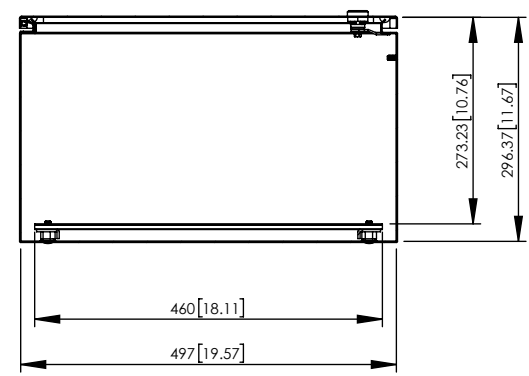
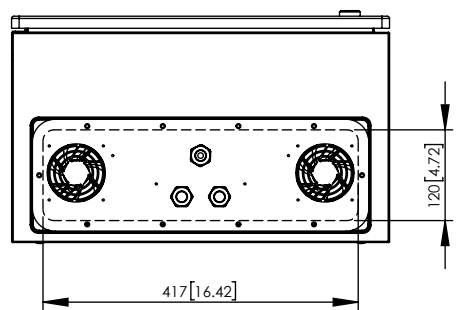
THE INFORMATION CONTAINED IN THIS DRAWING IS THE SOLE PROPERTY OF ALTELIX LLC. ANY REPRODUCTION IN PART OR WHOLE WITHOUT THE WRITTEN PERMISSION OF ALTELIX LLC IS PROHIBITED. (C) 2018 ALTELIX LLC.



SECTION A-A



SECTION B-B



NO.	DESCRIPTION	MATERIAL	FINISH	QTY.
8	-	-	-	-
7	-	-	-	-
6	-	-	-	-
5	-	-	-	-
4	-	-	-	-
3	-	-	-	-
2	-	-	-	-
1	-	-	-	-

UNLESS OTHERWISE SPECIFIED:  
DIMENSIONS ARE IN MILLIMETERS.  
DIMENSIONS IN [ ] ARE IN INCHES AND  
ARE FOR CUSTOMER REFERENCE ONLY.

TOLERANCES FOR MILLIMETERS:  
0.5-8mm ± 0.20mm  
8-30mm ± 0.40mm  
30-120mm ± 0.50mm

TASK	NAME	DATE
DRAWN BY	N. COLUCCI	01/22/19
CHECKED	-	-
APPROVED	-	-

**Altelix**  
www.altelix.com

1201 Clint Moore Road  
Boca Raton, FL 33487  
TEL: 561-660-WIFI

PART DESCRIPTION <b>24 X 20 X 12 PAINTED STEEL NEMA ENCLOSURE WITH DIN MOUNTING</b>		
PART NUMBER		NS242012VFA1C-DIN
DRAWING NUMBER		DRW-NS242012VFA1C-DIN
SCALE:	1:10	REV: A
		SHEET 1 OF 1