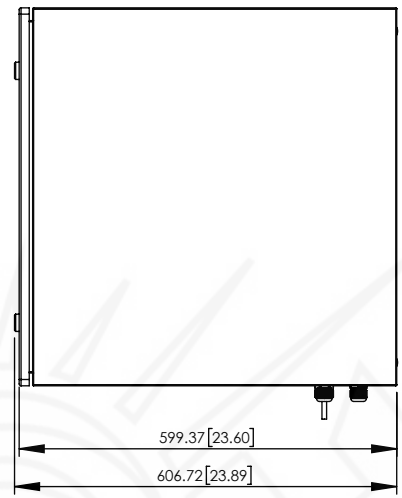
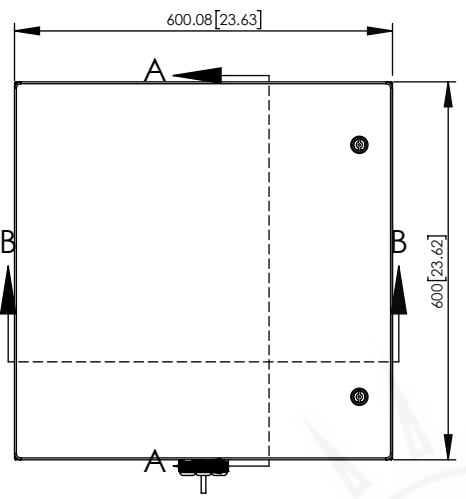
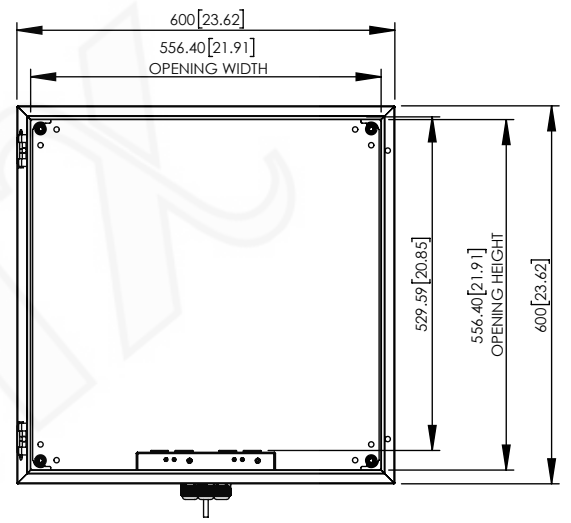
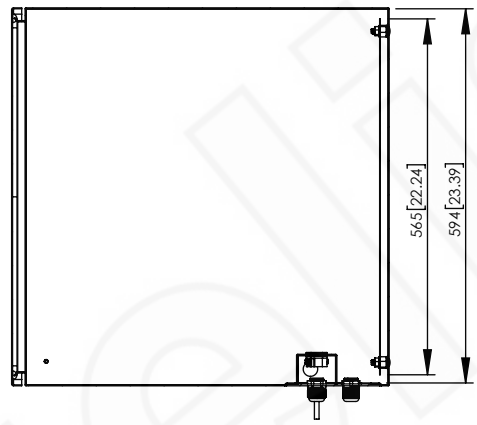


| REV | DATE     | DESCRIPTION     |
|-----|----------|-----------------|
| A   | 09/17/20 | INITIAL RELEASE |

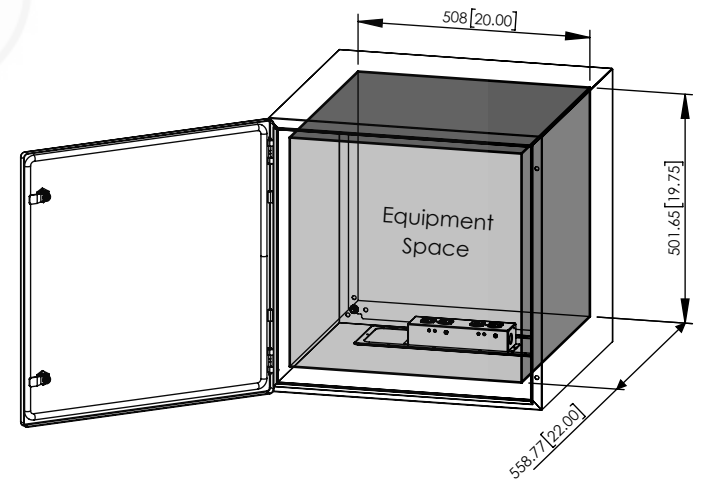
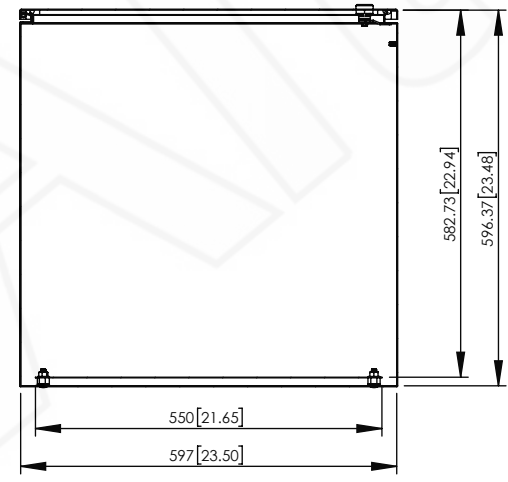
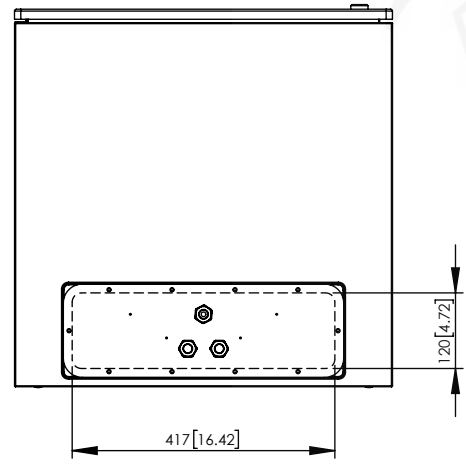
THE INFORMATION CONTAINED IN THIS DRAWING IS THE SOLE PROPERTY OF ALTILIX LLC. ANY REPRODUCTION IN PART OR WHOLE WITHOUT THE WRITTEN PERMISSION OF ALTILIX LLC IS PROHIBITED. (C) 2018 ALTILIX LLC.



SECTION A-A



SECTION B-B



| NO. | DESCRIPTION | MATERIAL | FINISH | QTY. |
|-----|-------------|----------|--------|------|
| 8   | -           | -        | -      | -    |
| 7   | -           | -        | -      | -    |
| 6   | -           | -        | -      | -    |
| 5   | -           | -        | -      | -    |
| 4   | -           | -        | -      | -    |
| 3   | -           | -        | -      | -    |
| 2   | -           | -        | -      | -    |
| 1   | -           | -        | -      | -    |

UNLESS OTHERWISE SPECIFIED:  
 DIMENSIONS ARE IN MILLIMETERS.  
 DIMENSIONS IN [ ] ARE IN INCHES AND  
 ARE FOR CUSTOMER REFERENCE ONLY.

TOLERANCES FOR MILLIMETERS:  
 0.5-8mm ± 0.20mm  
 8-30mm ± 0.40mm  
 30-120mm ± 0.50mm

| TASK     | NAME       | DATE     |
|----------|------------|----------|
| DRAWN BY | N. COLUCCI | 09/17/20 |
| CHECKED  | -          | -        |
| APPROVED | -          | -        |



1201 Clint Moore Road  
 Boca Raton, FL 33487  
 TEL: 561-660-WIFI  
[www.altelix.com](http://www.altelix.com)

|  |                 |              |
|--|-----------------|--------------|
| PART DESCRIPTION                                 |                 |              |
| 24 X 24 X 24 PAINTED STEEL ENCLOSURE WITH 120VAC |                 |              |
| PART NUMBER                                      | NS242424A1C     |              |
| DRAWING NUMBER                                   | DRW-NS242424A1C |              |
| SCALE: 1:12                                      | REV: A          | SHEET 1 OF 1 |