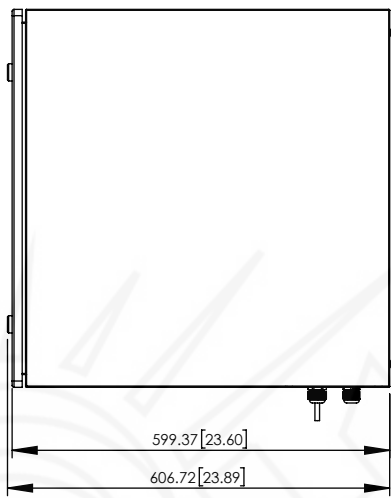
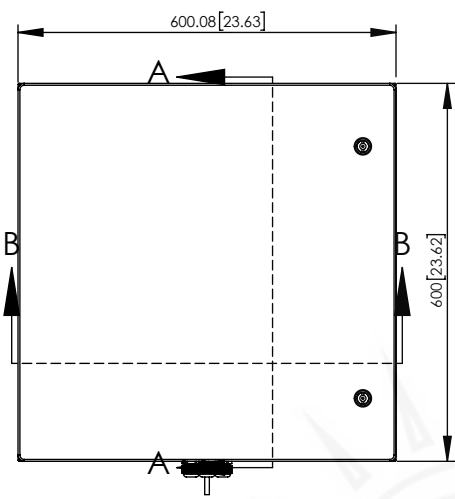
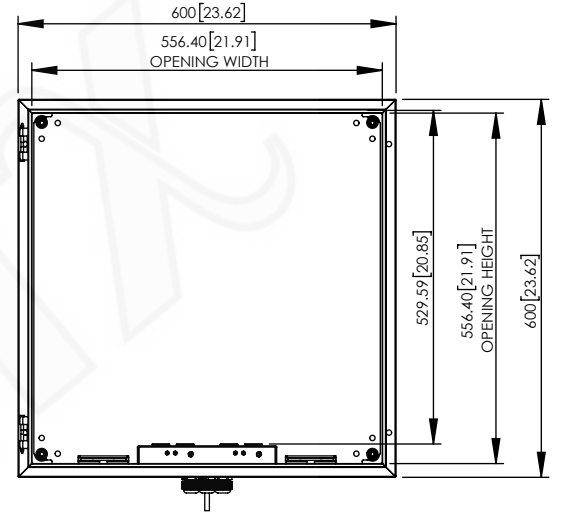
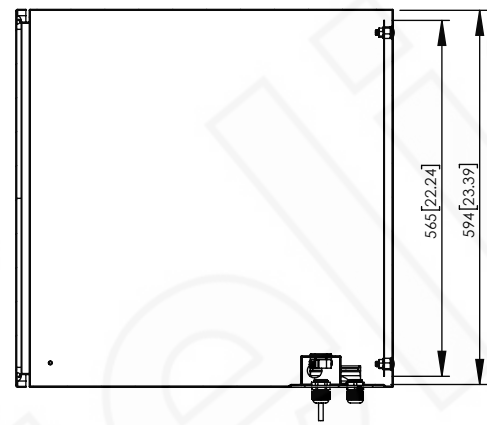


REV	DATE	DESCRIPTION
A	09/18/20	INITIAL RELEASE

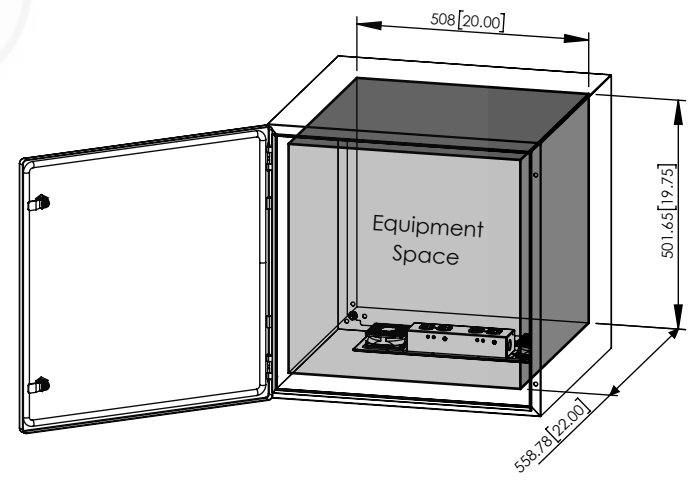
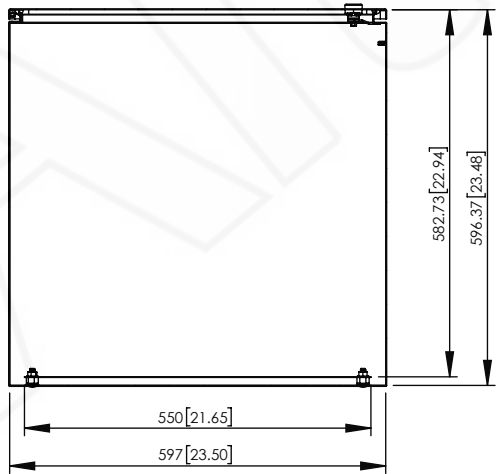
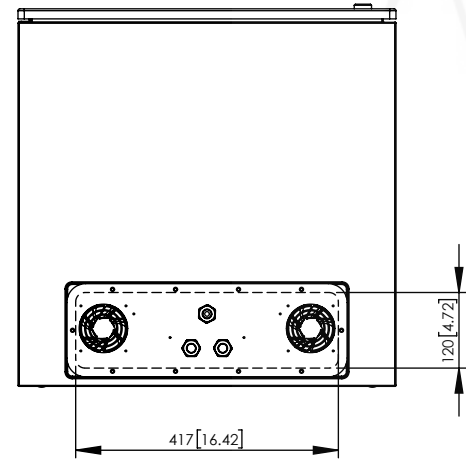
THE INFORMATION CONTAINED IN THIS DRAWING IS THE SOLE PROPERTY OF ALTELIX LLC. ANY REPRODUCTION IN PART OR WHOLE WITHOUT THE WRITTEN PERMISSION OF ALTELIX LLC IS PROHIBITED. (C) 2018 ALTELIX LLC.



SECTION A-A



SECTION B-B



NO.	DESCRIPTION	MATERIAL	FINISH	QTY.
8	-	-	-	-
7	-	-	-	-
6	-	-	-	-
5	-	-	-	-
4	-	-	-	-
3	-	-	-	-
2	-	-	-	-
1	-	-	-	-

UNLESS OTHERWISE SPECIFIED:
 DIMENSIONS ARE IN MILLIMETERS.
 DIMENSIONS IN [] ARE IN INCHES AND
 ARE FOR CUSTOMER REFERENCE ONLY.

TOLERANCES FOR MILLIMETERS:
 0.5-8mm ± 0.20mm
 8-30mm ± 0.40mm
 30-120mm ± 0.50mm

TASK	NAME	DATE
DRAWN BY	N. COLUCCI	09/18/20
CHECKED	-	-
APPROVED	-	-

Altelix
 www.altelix.com
 1201 Clint Moore Road
 Boca Raton, FL 33487
 TEL: 561-660-WIFI

PART DESCRIPTION		24 X 24 X 24 PAINTED STEEL	
ENCLOSURE WITH 120VAC AND FAN		ENCLOSURE WITH 120VAC AND FAN	
PART NUMBER		NS242424VFA1C	
DRAWING NUMBER		DRW-NS242424VFA1C	
SCALE:	1:12	REV:	A
		SHEET 1 OF 1	