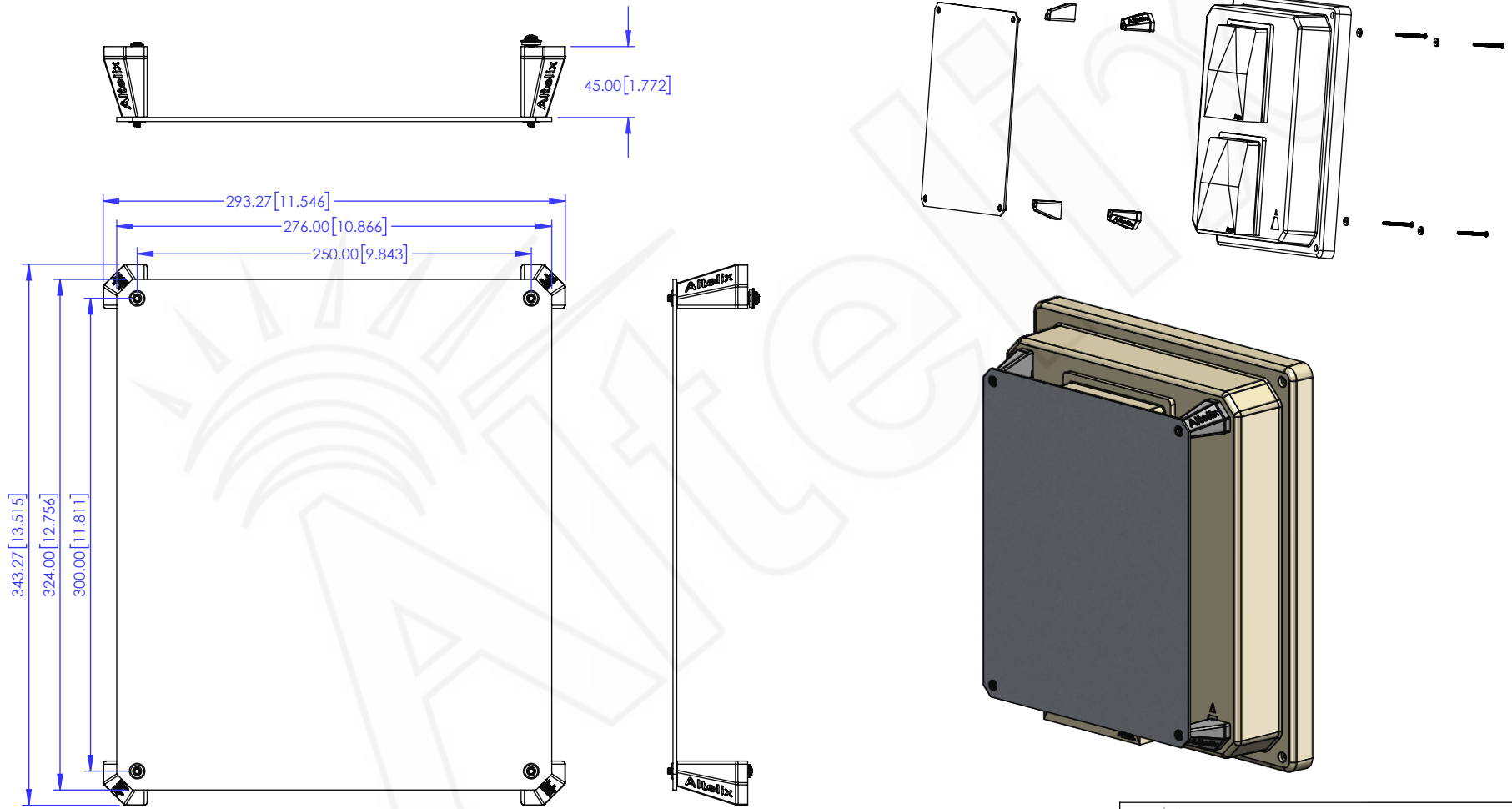


REVISIONS				
REV	DESCRIPTION	DATE	ECO No.	APPROVAL
A	INITIAL RELEASE	05/07/2026		

ROHS COMPLIANT. THIS PRODUCT AND ALL OF ITS SUBCOMPONENTS AND MATERIALS MUST COMPLY WITH THE REQUIREMENTS OF THE EU DIRECTIVE 2015/863 (ROHS 3) ON THE RESTRICTION OF THE USE OF CERTAIN HAZARDOUS SUBSTANCES IN ELECTRICAL AND ELECTRONIC EQUIPMENT.

THE INFORMATION CONTAINED IN THIS DRAWING IS THE SOLE PROPERTY OF ALTELIX LLC. ANY REPRODUCTION IN PART OR WHOLE WITHOUT THE WRITTEN PERMISSION OF ALTELIX LLC IS PROHIBITED. ALL SPECIFICATIONS SUBJECT TO CHANGE WITHOUT NOTICE. (C) 2025 ALTELIX LLC.



NOTES: UNLESS OTHERWISE SPECIFIED

1. COMPLETE PART GEOMETRY MUST BE ACQUIRED FROM 3D CAD FILE PROVIDED
2. ALL UNDIMENSIONED FEATURES AND SURFACES TO BE WITHIN 0.1 OF CAD MODEL
3. MATERIAL:
4. REMOVE ALL BURRS AND SHARP EDGES
5. NO COSMETIC DEFECTS ALLOWED
6. FINISH:
7. MARK PART OR PROTECTIVE COVERING WITH PART NUMBER AND REVISION, FONT HEIGHT 3MM MAX

UNLESS OTHERWISE SPECIFIED:
DIMENSIONS ARE IN MILLIMETERS.
DIMENSIONS IN [] ARE IN INCHES AND
ARE FOR CUSTOMER REFERENCE ONLY.

TOLERANCES FOR MILLIMETERS:
0.X ± 0.25
0.XX ± 0.10
0.XXX ± 0.025

TASK	NAME	DATE
DRAWN BY	J.MONAGHAN	5/7/2026
CHECKED		
APPROVED		



1201 Clint Moore Road
Boca Raton, FL 33487
TEL: 561-660-WIFI

PART DESCRIPTION		
SOALR SHIELD KIT FOR NF14 ENCLSURES		
PART NO.	SS-NF14-KIT1	
FILE NAME	DRW-SS-NF14-KIT1	
SCALE:	NONE	REV: A
		SHEET 1 OF 1