



NP14xxVA1C-WEXT



Installation Guide

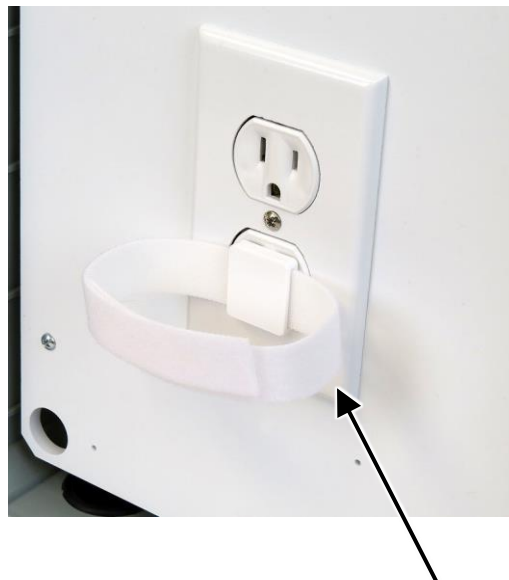
Altelix LLC USA: 866-660-WIFI (9434) International: +1 561-660-9434 sales@altelix.com www.altelix.com
Copyright (C) 2023 Altelix LLC. All rights reserved. Altelix and the Altelix logo are Trademarks and/or Registered Trademarks of Altelix LLC.
Specifications are subject to change without notice. See www.altelix.com for most current information

Installing Your Device

1. Plug your device into one of the available outlets. Make sure to choose the correct orientation for your device.



2. (Optional Step) For installations subject to vibrations, an optional hook and loop strap and bracket is provided to secure your device to the outlet.



Optional Hook and Loop Strap

Wall Mounting the NP14xxVA1C-WEXT

The NP14xxVA1C-WEXT enclosure features (4) mounting feet on the rear of the enclosure.

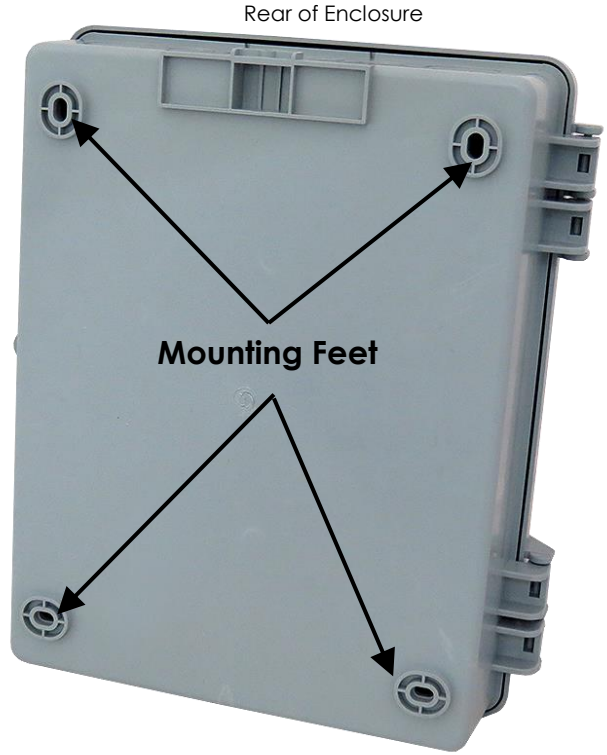
The mounting kit Included with the enclosure includes (4) Rubber Sealing Washers and (4) Screws with Wall Anchors.



Mounting Screws with Wall Anchors



Rubber Sealing Washers



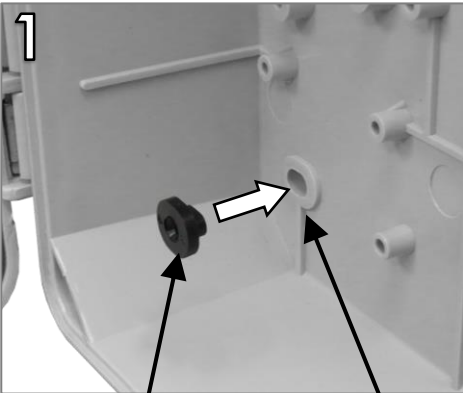
Mounting the Enclosure

Step 1

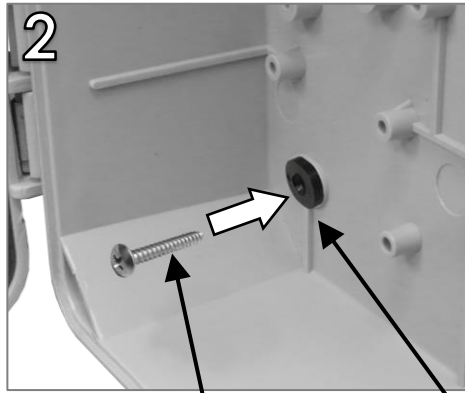
Place (4) Rubber Sealing Washers into (4) mounting holes as shown.

Step 2

Secure the enclosure to the wall using the (4) Screws.



Rubber Sealing Washer **Mounting Hole**



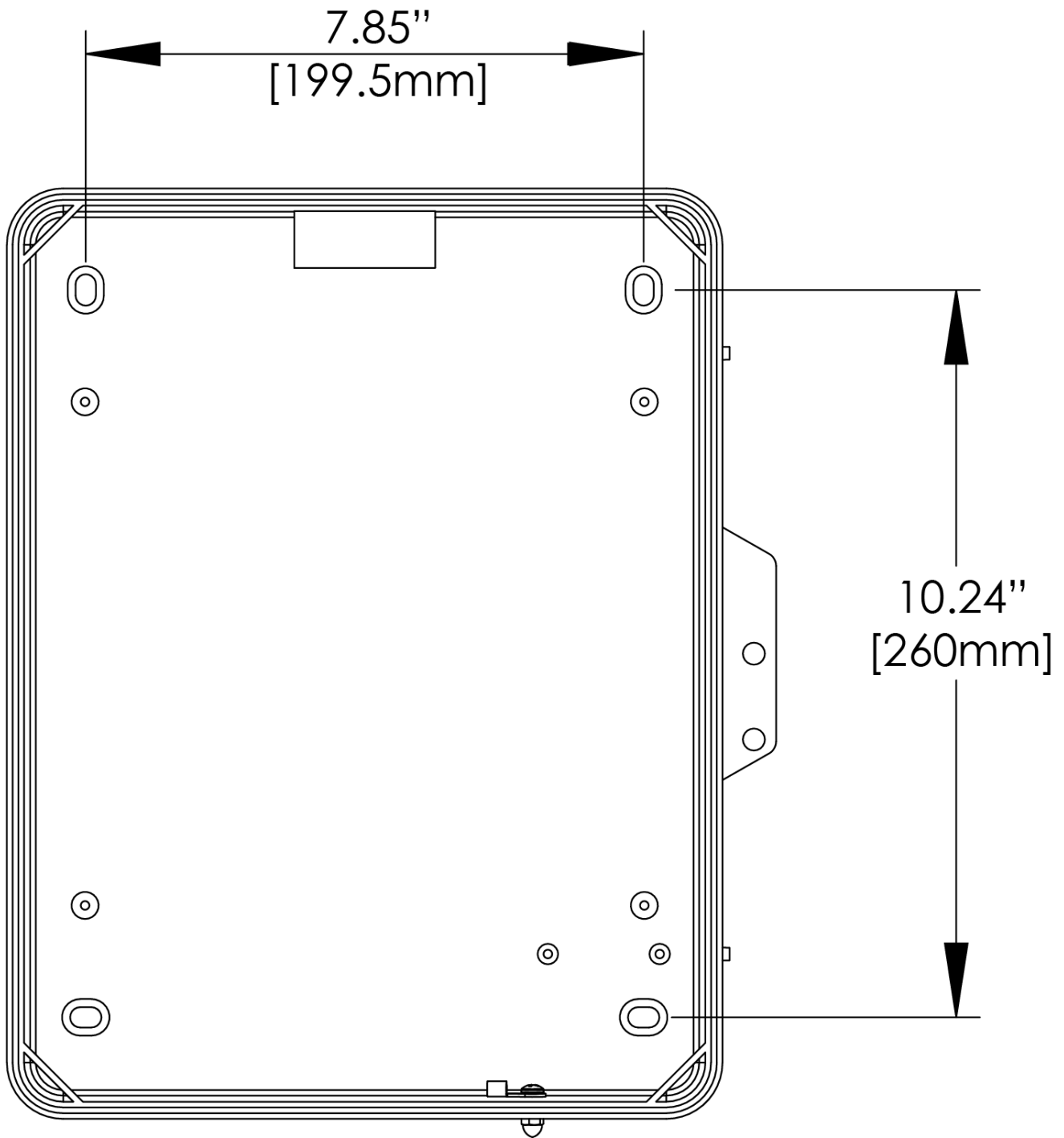
Mounting Screw **Rubber Sealing Washer**



Step 3

When mounting the enclosure, ensure the rubber sealing washers completely cover the enclosure mounting holes to provide a water-tight seal. Silicone sealant can also be added to enhance the seal.

Mounting Hole Locations



Got Questions?
We are here to help.
Contact us at:



sales@altelix.com



USA & Canada: 866-660-9434
International: +1 561-660-9434

WARNING: INSTALLATION OF THIS PRODUCT NEAR POWERLINES IS DANGEROUS. FOR YOUR SAFETY, FOLLOW THE INSTALLATION DIRECTIONS



Under some conditions, this enclosure may not prevent electrocution. Users should keep enclosure away from any overhead wires. If enclosure contacts a power line, any initial protection could fail at any time. IF ENCLOSURE NEARS ANY OVERHEAD WIRES, IMMEDIATELY LET GO, STAY AWAY, AND CALL UTILITY COMPANY

THIS ENCLOSURE IS DESIGNED TO BE INSTALLED ONLY BY A TRAINED PROFESSIONAL INSTALLER

Warning: To avoid electric shock, grounding must be installed by the installer as part of the installation. The unit must be grounded and installed in accordance with National Electrical Codes (NEC) and any local codes. Note that non-metallic enclosures do not provide grounding between conduit connections.

Warning: Enclosure must be secured when energized to prevent unauthorized access and shock hazard.

Important: Look over the site before beginning installation and anticipate possible hazards. Select a safe site to install the enclosure.

If you have power lines in the area, call your local electric utility for assistance.

NEVER work alone; always have someone near who can summon help.

Check weather conditions. Be sure that the area is not slippery and make sure that rain or thunderstorms are not predicted for the day you install the enclosure.

If you need to use a ladder, make sure it is made of non-conductive (non-metallic) material.

Enclosures improperly installed or installed to an inadequate structure are susceptible to wind damage that can be very serious or even life threatening. Ensure that the installation is properly grounded. Ensure that the enclosure is properly secured and structurally sound to support all loads (weight, wind & ice).

Rooftop Installation Warning

DO NOT assume that just because you're on a roof, you're isolated from ground. You may still be electrocuted or fall off the roof.