

**WARNING: INSTALLATION OF THIS PRODUCT NEAR POWERLINES IS DANGEROUS.  
FOR YOUR SAFETY, FOLLOW THE INSTALLATION DIRECTIONS**



Under some conditions, this antenna may not prevent electrocution. Users should keep antenna away from any overhead wires. If antenna contacts a power line, any initial protection could fail at any time. IF ANTENNA NEARS ANY OVERHEAD WIRES, IMMEDIATELY LET GO, STAY AWAY, AND CALL UTILITY COMPANY

**THIS ANTENNA IS DESIGNED TO BE INSTALLED ONLY BY A TRAINED PROFESSIONAL INSTALLER**

Select a safe site to install the antenna.

The distance between any power lines and the installation site should be at least one and one-half times the height of the antenna and mast assembly. Make the distance even greater, if at all possible. Since all overhead power lines look somewhat alike, consider them all dangerous and stay well away from them.

If you have power lines in the area, call your local electric utility for assistance.

**NEVER** work alone; always have someone near who can summon help.

Check weather conditions. Be sure that the area is not slippery and make sure that rain or thunderstorms are not predicted for the day you install the antenna.

The wind can blow the antenna into a nearby power line. Don't install, adjust or move antennas in moderate or heavy winds.

If you need to use a ladder, make sure it is made of non-conductive (non-metallic) material

### **Antenna Installation**

Properly assemble the antenna according to instructions.

If a tower or mast begins falling let go of it and let it fall.

If the antenna or any part such as the wire or mast comes in contact with power wires **DO NOT TOUCH IT OR ATTEMPT TO MOVE IT**. Contact the power company for assistance.

Ground the antenna according to the National Electrical Code.

Antennas improperly installed or installed to an inadequate structure are susceptible to wind damage that can be very serious or even life threatening. Ensure that the installation is properly grounded. Ensure that the antenna is properly secured and structurally sound to support all loads (weight, wind & ice) and properly sealed against leaks.

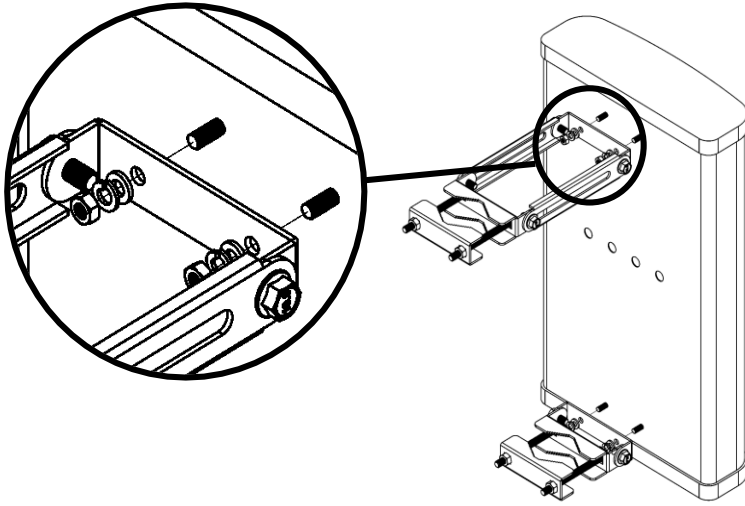
### **Rooftop Installation Warning**

**DO NOT** assume that just because you're on a roof, you're isolated from ground. You may still be electrocuted or fall off the roof.

**Altelix LLC USA: 866-660-WIFI (9434) International: +1 561-660-9434 sales@altelix.com www.altelix.com**

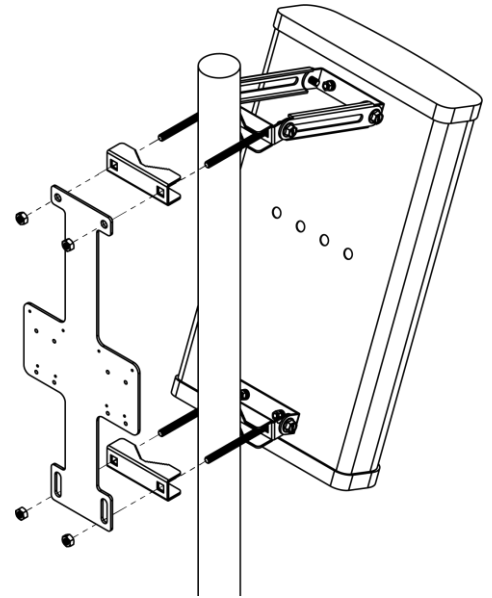
Copyright (C) 2017 Altelix LLC. All rights reserved. Altelix and the Altelix logo are Trademarks and/or Registered Trademarks of Altelix LLC.

Specifications are subject to change without notice. See [www.altelix.com](http://www.altelix.com) for most current information



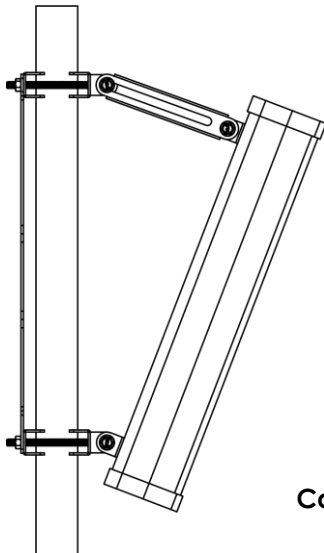
### Step 1:

Position the large and small pole mounting brackets on the Altelix sector antenna as shown above and secure using the M6 nuts, flat washers, and lock washers provided with the antenna. Be sure to mount the large pole mounting bracket to the towards the top of the antenna.



### Step 2:

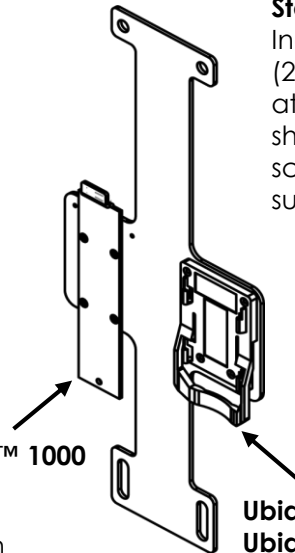
Position the antenna so that the M10 carriage bolts are around the pole. Attach the mast clamp and radio bracket assembly as shown above and fasten using the M10 nuts provided with the antenna.



### Step 3:

Adjust the angle of the antenna using the slot on the large pole mounting bracket. Once the angle has been adjusted, tighten the bolts to prevent the antenna from sliding out of position.

Cambium ePMP™ 1000



### Step 4:

Included with this antenna are (2) types of radio adapters. They attach to the radio bracket as shown using the supplied (4) screws. See below for radios supported for each adapter.

**Ubiquiti Networks RocketM5®**  
**Ubiquiti Networks Rocket® Prism 5AC**  
**Mimosa C5c**  
**TP-Link WBS-510**

Ubiquiti®, Rocket® is a trademark and/or registered trademark of Ubiquiti Networks, Inc.  
ePMP™ is a trademark of Cambium Networks, LTD.