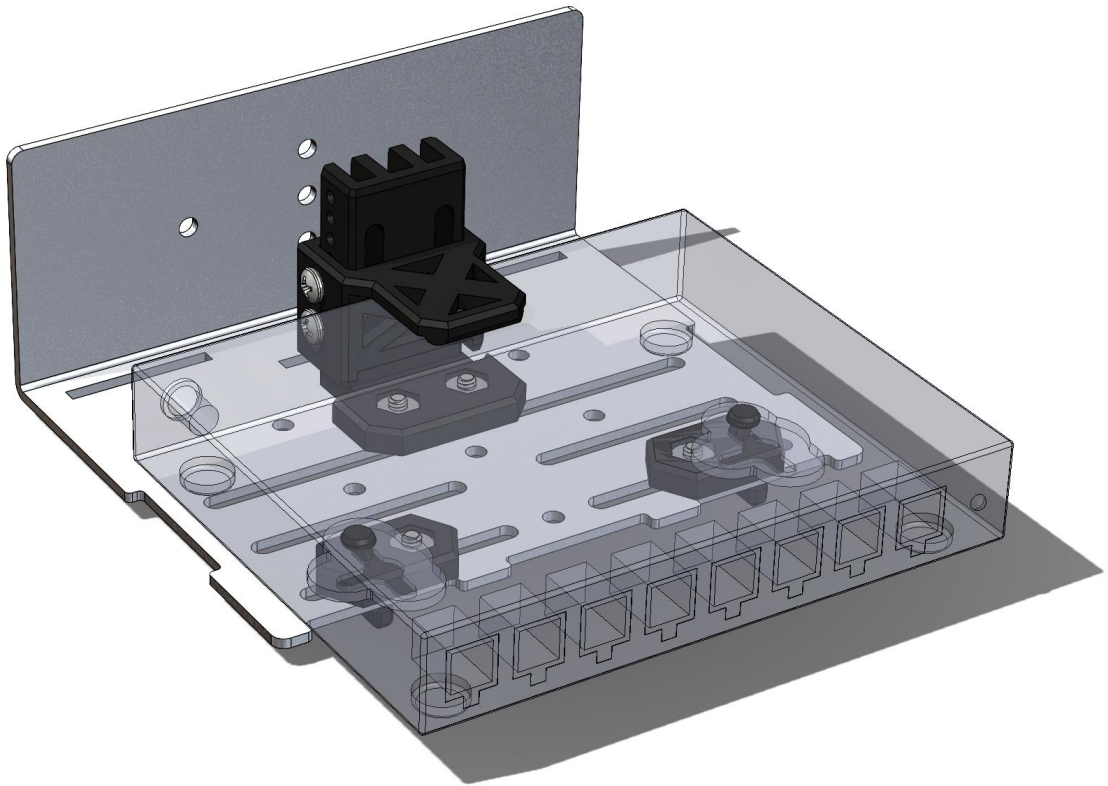
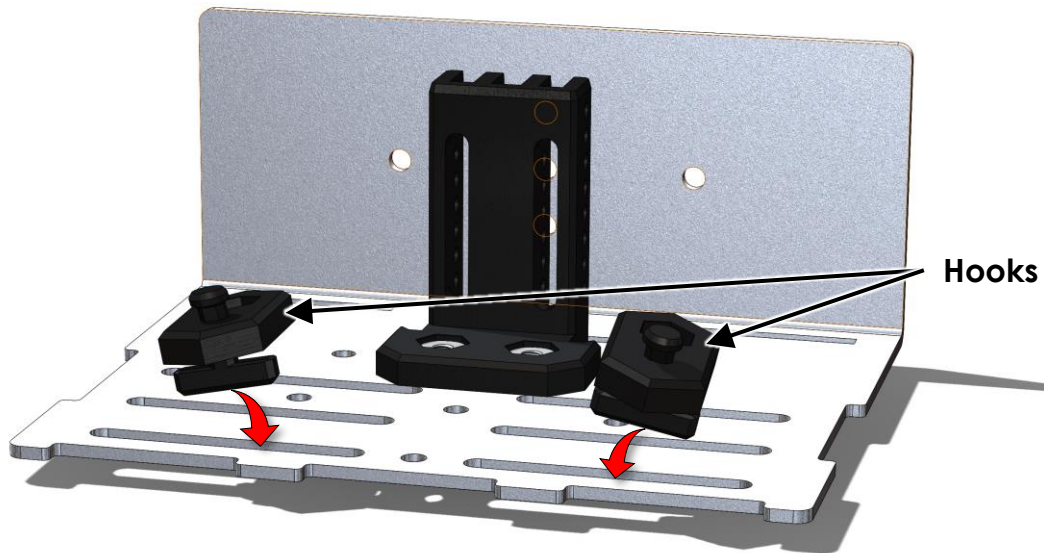


## Altelix HBR-002 Series Utility Shelf

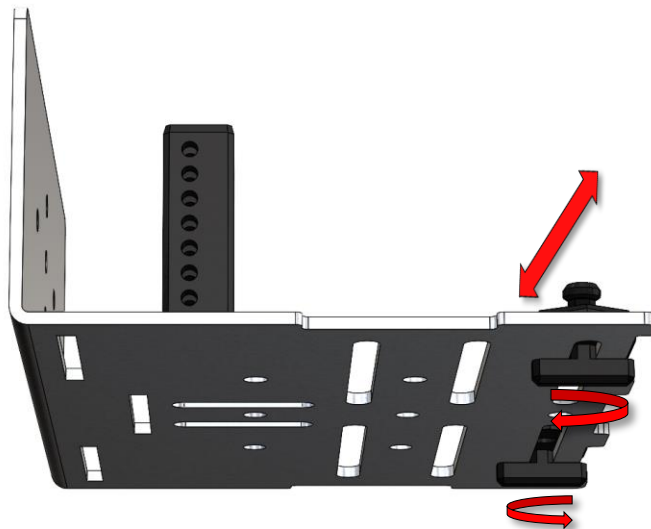


### Assembly Instructions

1. Align and insert hook tabs with the slots appropriate for the mounting holes in your device

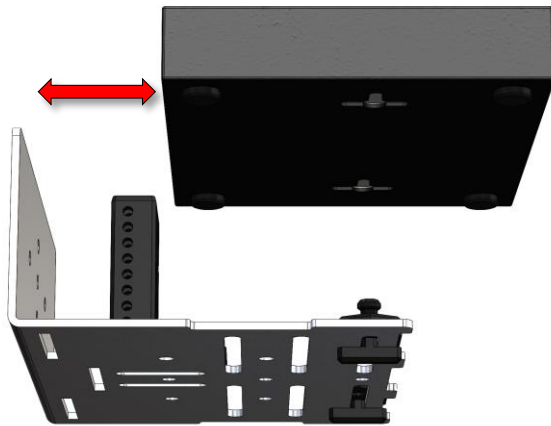


2. Rotate Hooks and place at correct width for your device

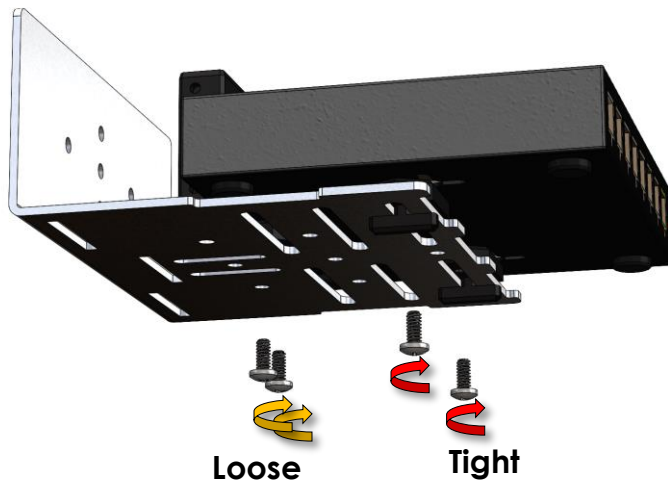


### Assembly Instructions

3. Ensure there is enough distance for any cables that come out of the back of your device

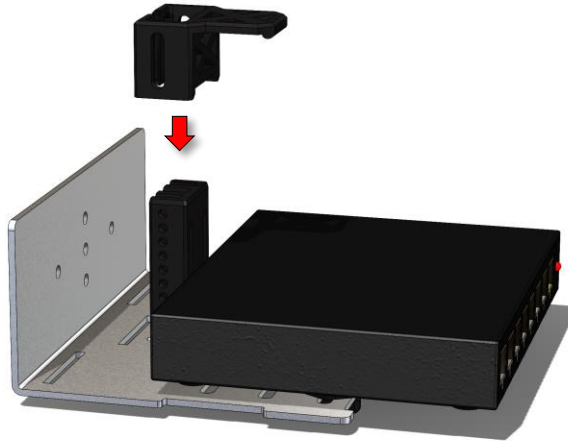


4. Insert device keyholes onto bracket hooks. Screw the hooks in with the provided small screws. Loosely install the small screws for the vertical arm.

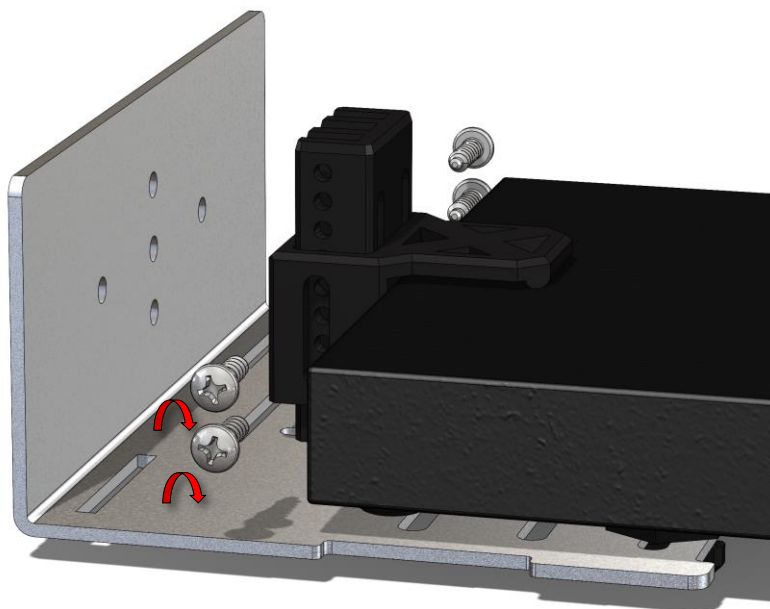


### Assembly Instructions

5. Slide carriage down vertical arm until snug with the device

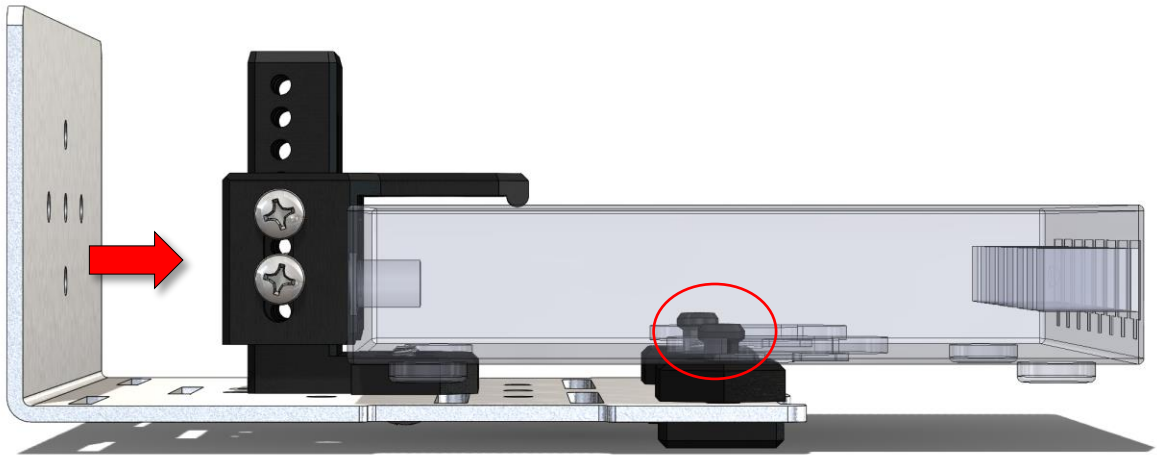


6. Insert and lightly tighten the four larger screws into the holes in the vertical strut through the carriage at an appropriate height to secure your device

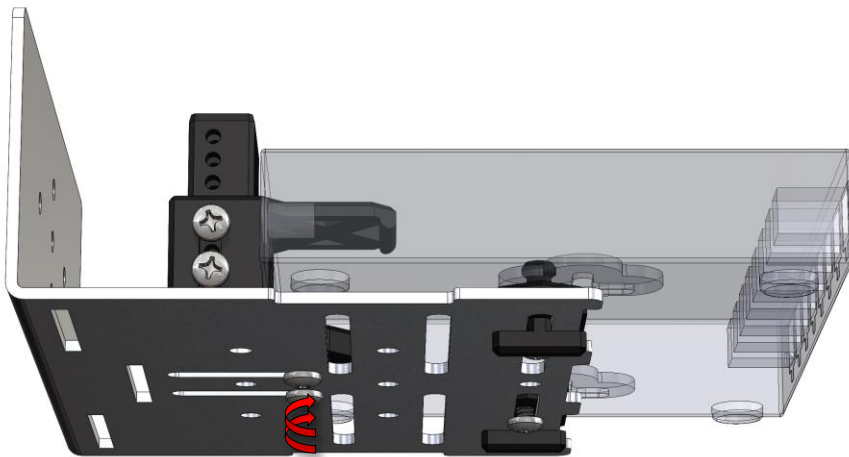


### Assembly Instructions

7. Press carriage assembly against the back of the device, ensuring that the **hooks are nested** in the keyholes.

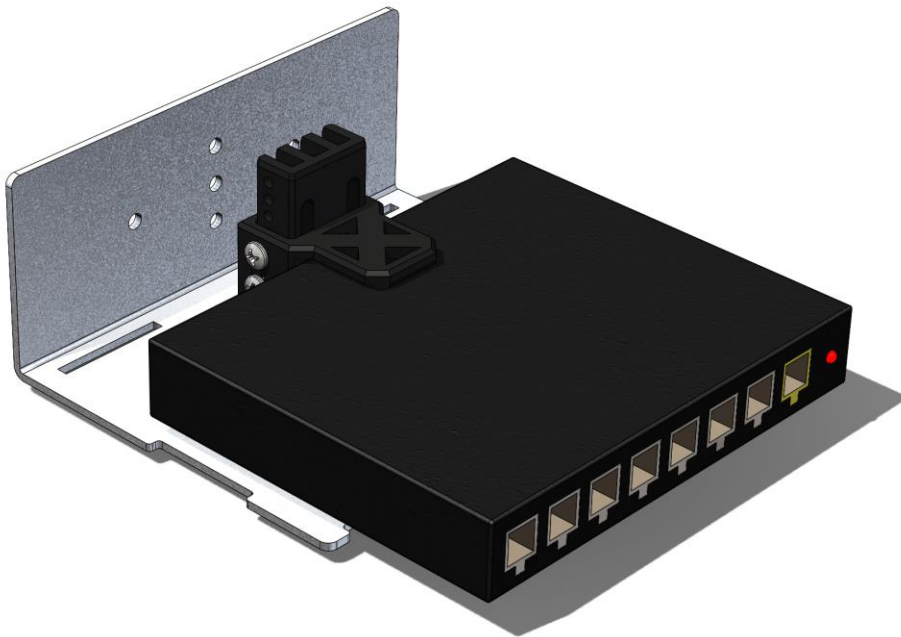


8. Tighten final screws underneath carriage



## Assembly Instructions

9. Device should be firmly secured in the adjustable system.





**WARNING: INSTALLATION OF THIS PRODUCT NEAR POWERLINES IS DANGEROUS. FOR YOUR SAFETY, FOLLOW THE INSTALLATION DIRECTIONS**

Under some conditions, this enclosure may not prevent electrocution. Users should keep enclosure away from any overhead wires. If enclosure contacts a power line, any initial protection could fail at any time. **IF ENCLOSURE NEARS ANY OVERHEAD WIRES, IMMEDIATELY LET GO, STAY AWAY, AND CALL UTILITY COMPANY**

**THIS ENCLOSURE IS DESIGNED TO BE INSTALLED ONLY BY A TRAINED PROFESSIONAL INSTALLER**

**Warning:** To avoid electric shock, grounding must be installed by the installer as part of the installation. The unit must be grounded and installed in accordance with National Electrical Codes (NEC) and any local codes. Note that non-metallic enclosures do not provide grounding between conduit connections.

**Warning:** Enclosure must be secured when energized to prevent unauthorized access and shock hazard.

**Important:** Look over the site before beginning installation, and anticipate possible hazards.

Select a safe site to install the enclosure.

If you have power lines in the area, call your local electric utility for assistance.

**NEVER** work alone; always have someone near who can summon help.

Check weather conditions. Be sure that the area is not slippery and make sure that rain or thunderstorms are not predicted for the day you install the enclosure.

If you need to use a ladder, make sure it is made of non-conductive (non-metallic) material

Enclosures improperly installed or installed to an inadequate structure are susceptible to wind damage that can be very serious or even life threatening. Ensure that the installation is properly grounded. Ensure that the enclosure is properly secured and structurally sound to support all loads (weight, wind & ice).

### **Rooftop Installation Warning**

**DO NOT** assume that just because you're on a roof, you're isolated from ground. You may still be electrocuted or fall off the roof.

**Altelix LLC USA: 866-660-WIFI (9434) International: +1 561-660-9434 sales@altelix.com www.altelix.com**

Copyright (C) 2017 Altelix LLC. All rights reserved. Altelix and the Altelix logo are Trademarks and/or Registered Trademarks of Altelix LLC.

Specifications are subject to change without notice. See [www.altelix.com](http://www.altelix.com) for most current information