

NA17 Project Box User Guide



Wall Mounting Guide

The NA17 project boxes feature four internal mounting points for mounting the enclosure. Two of these mounting points will need to be drilled out prior to wall mounting the enclosure.

To use the internal mounting points, using a 1/4" drill bit, drill through the enclosure as required.

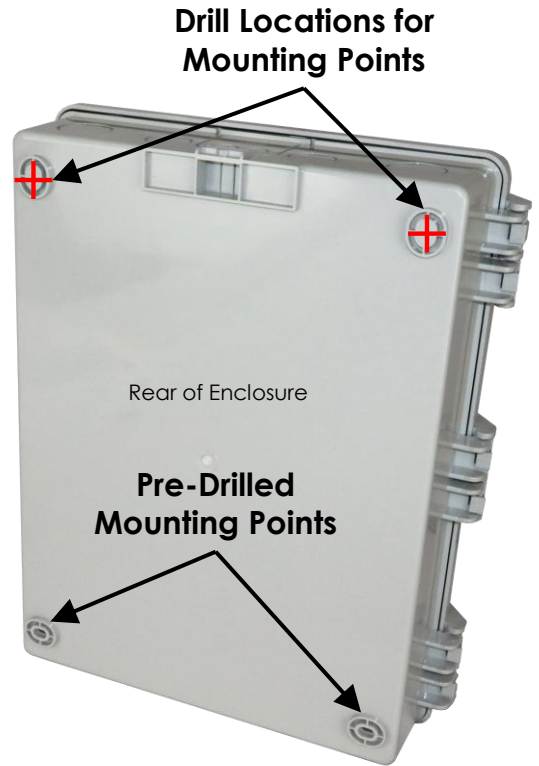
The mounting kit Included with the enclosure includes (4) Rubber Sealing Washers and (4) Screws with Wall Anchors.



Screws and Wall Anchors



Rubber Sealing Washers



Mounting the Enclosure

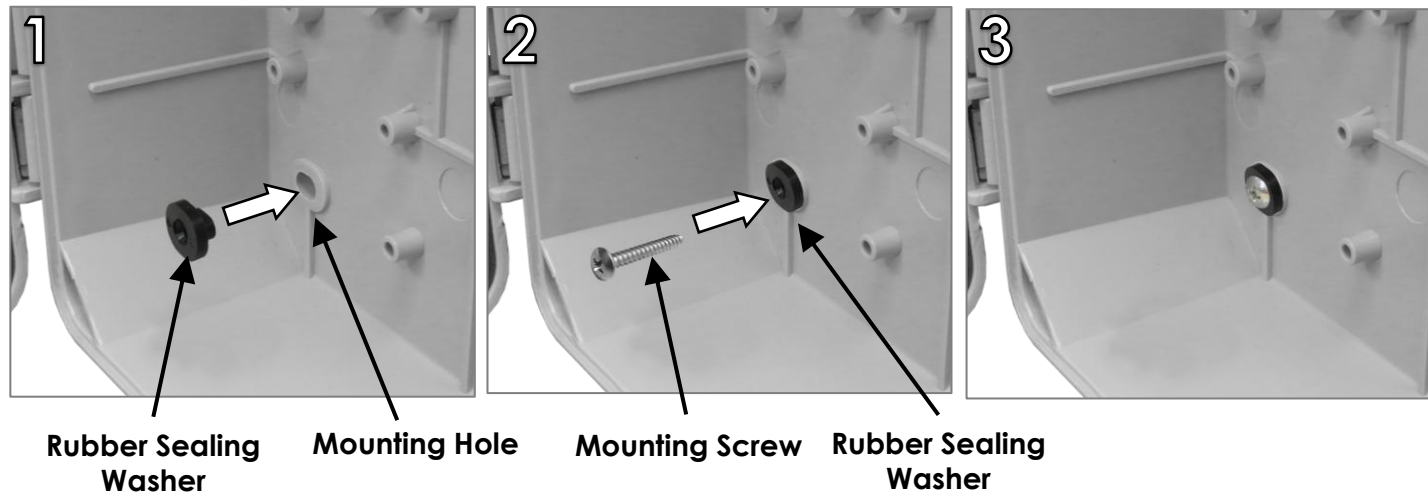
⚠ Note: Remove the equipment mounting plate if previously installed

Step 1

Place (4) Rubber Sealing Washers into (4) mounting holes as shown.

Step 2

Secure the enclosure to the wall using the (4) Screws.



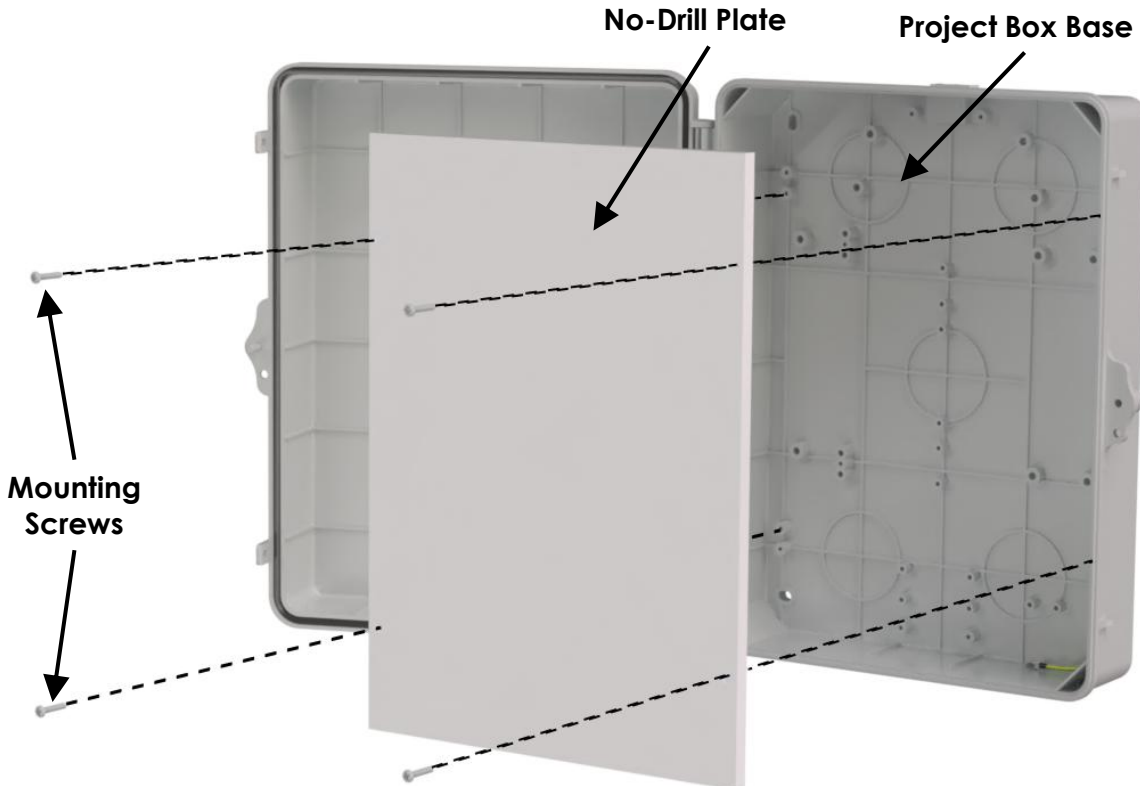
Step 3

When mounting the enclosure, ensure the rubber sealing washers completely cover the enclosure mounting holes to provide a water-tight seal. Silicone sealant can also be added to enhance the seal. Once completed, the equipment mounting plate can be installed.

No-Drill Equipment Mounting Plate Installation

The NA17 project boxes include a no-drill PVC equipment mounting plate. To install, use the (4) mounting screws (located in a zip-lock bag labeled "BA6Z0750P-T-4PK") and attach as shown.

 When fastening the equipment mounting plate it is recommended to use **Hand Tools** only.



No-Drill Project Plate

Included with the project box is a **No-Drill** project plate, letting you securely mount devices using only a screwdriver and the included self tapping screws—no drilling required.

If additional screws are required, use **Coarse Thread** screws – max. length 3/4"

 When fastening equipment to the no-drill, plate it is recommended to use **Hand Tools** only.

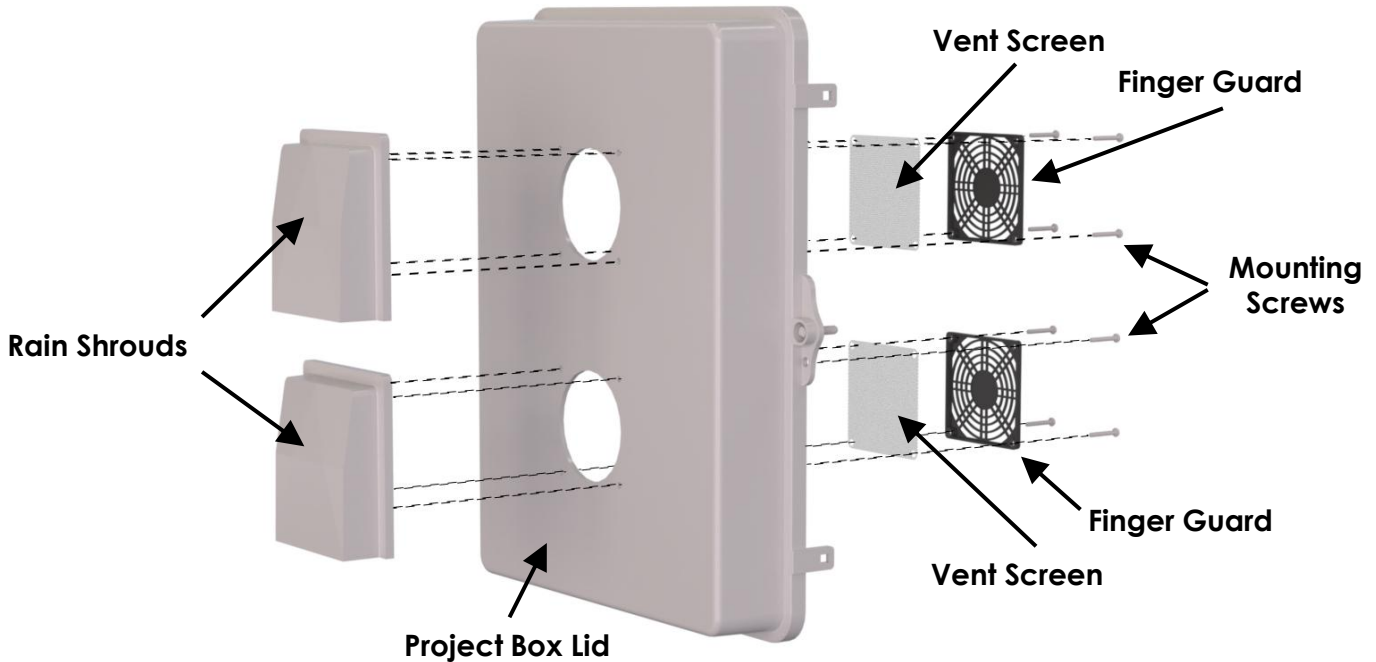


Rain Shroud Installation (NA17V Models Only)

Vented NA17V models include a Rain Shroud kit which needs to be install. This kit includes:

- (2) Rain Shrouds – Mounts to outside of lid
- (2) Vent Screen – Mounts to inside of lid
- (2) Finder Guards – Mount to inside of lid
- (8) Mounting Screws

 When installing rain shrouds it is recommended to use **Hand Tools** only.



Optional Pole Mount Kit

An optional **NMKG-283-08** pole mount kit is available for the NA17 project boxes. This pole mount kit attaches to the rear of the box and allows it to be mounted to poles up to 7.6" in diameter. Additional bands can also be purchased for larger diameter poles.

For more information and to order, please www.Altelix.com

NMKG-283-08 Pole Mount Kit
Shown Installed
(Sold Separately)



Got Questions?

We are here to help. Contact us at:



sales@altelix.com



USA & Canada: 866-660-9434

International: +1 561-660-9434



www.Altelix.com