



# NF100806A1 120VAC Enclosure Installation Guide



**WARNING:** INSTALLATION OF THIS PRODUCT NEAR POWERLINES IS DANGEROUS. FOR YOUR SAFETY, FOLLOW THE INSTALLATION DIRECTIONS



Under some conditions, this enclosure may not prevent electrocution. Users should keep enclosure away from any overhead wires. If enclosure contacts a power line, any initial protection could fail at any time. IF ENCLOSURE NEARS ANY OVERHEAD WIRES, IMMEDIATELY LET GO, STAY AWAY, AND CALL UTILITY COMPANY

**INSTALLATION BY A LICENSED ELECTRICIAN OR QUALIFIED INSTALLER RECOMMENDED.**

**Warning:** To avoid electric shock, grounding must be installed by the installer as part of the installation. The unit must be grounded and installed in accordance with National Electrical Codes (NEC) and any local codes. Note that non-metallic enclosures do not provide grounding between conduit connections.

**Warning:** Enclosure must be secured using a pad-lock when energized to prevent unauthorized access and shock hazard.

**Important:** Look over the site before beginning installation, and anticipate possible hazards. Select a safe site to install the enclosure.

If you have power lines in the area, call your local electric utility for assistance.

**NEVER** work alone; always have someone near who can summon help. Check weather conditions. Be sure that the area is not slippery and make sure that rain or thunderstorms are not predicted for the day you install the enclosure. If you need to use a ladder, make sure it is made of non-conductive (non-metallic) material.

Enclosures improperly installed or installed to an inadequate structure are susceptible to wind damage that can be very serious or even life threatening. Ensure that the installation is properly grounded. Ensure that the enclosure is properly secured and structurally sound to support all loads (weight, wind & ice).

### Rooftop Installation Warning

**DO NOT** assume that just because you're on a roof, you're isolated from ground. You may still be electrocuted or fall off the roof.

Altelix enclosures feature rugged Polycarbonate+ABS, Fiberglass Reinforced Polyester (FRP) or Steel construction.

Options include Powered Models, Ventilation, Thermostat controlled Cooling and Heating, Insulated Models, DIN Rail Models and Pole Mount Models.

Turnkey models such as Audio/Video Enclosures, Weatherproof Phone Boxes and 19" Rack Mount Enclosures are also available.

## Custom Product Inquiries or Technical Questions?

We are here to help. Contact us at:



[sales@altelix.com](mailto:sales@altelix.com)



**USA & Canada: 866-660-9434**  
**International: +1 561-660-9434**

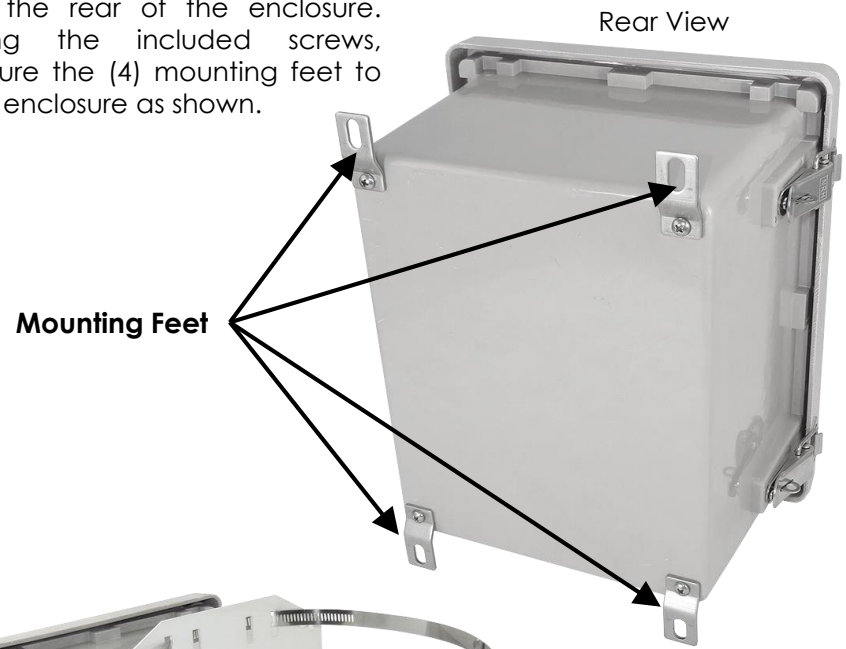


Visit us at [www.ALTELIX.com](http://www.ALTELIX.com)

### Mounting

The (4) steel mounting feet included in the hardware kit can be used to mount the enclosure to most surfaces.

(4) Threaded inserts are provided on the rear of the enclosure. Using the included screws, secure the (4) mounting feet to the enclosure as shown.

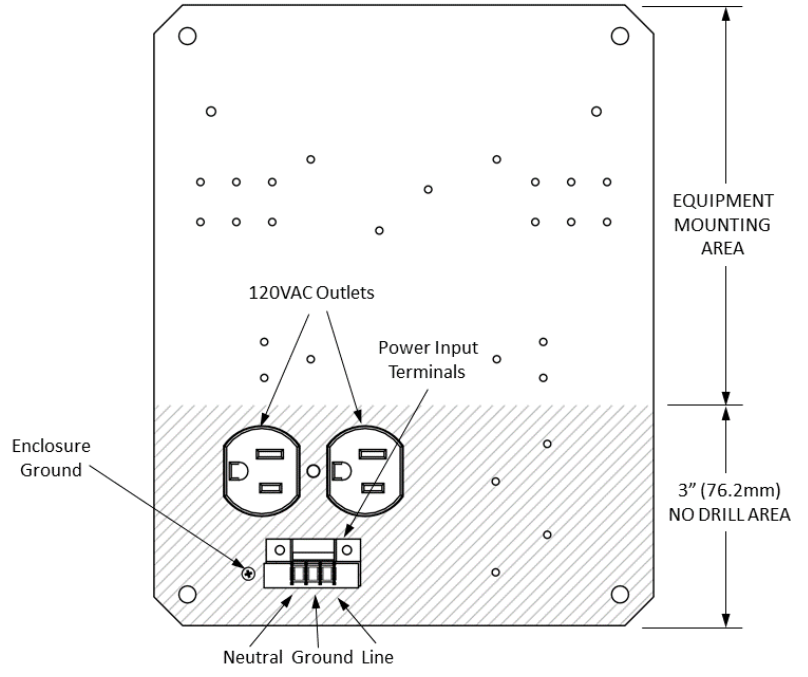


The NF Series enclosure can also be pole mounted using the optional NMK Series Pole Mount Kits which can be purchased by visiting:

[www.ALTELIX.com](http://www.ALTELIX.com)

Shown with Optional NMKS-200-08 Pole/Wall Mount Kit

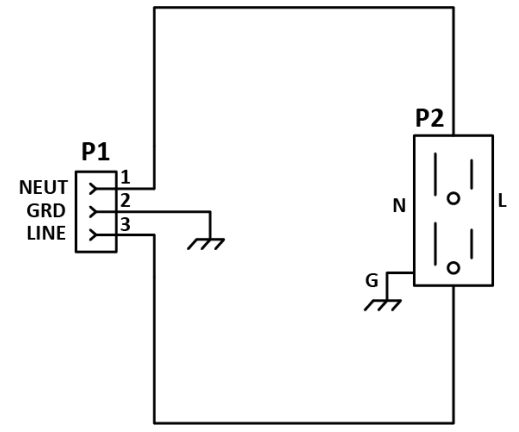
### Equipment Mounting Plate Details



### Circuit Diagram

**CAUTION**  
 Risk of Electrical Shock

**120 VAC**



Got Questions? We are here to help. Contact us at:

[sales@altelix.com](mailto:sales@altelix.com)

USA & Canada: 866-660-9434  
 International: +1 561-660-9434