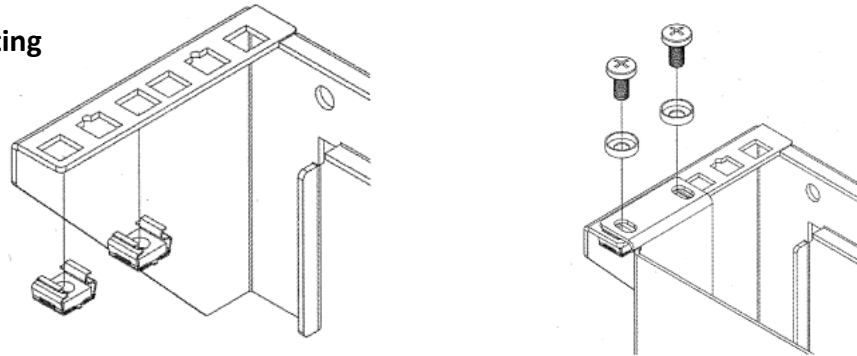


WARNING: READ ALL INSTRUCTION BEFORE USE. THIS ENCLOSURE IS DESIGNED TO BE INSTALLED BY A TRAINED PROFESSIONAL INSTALLER.

NFC322412 Series RV4U NEMA Enclosure Instruction Sheet

Equipment Mounting

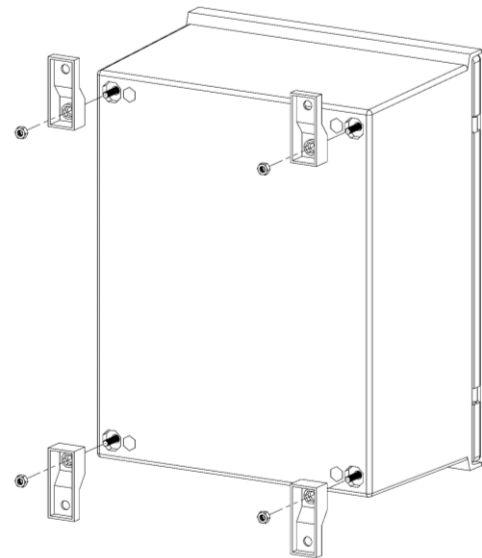


1. Install M6 Cage Nuts into the square openings to provide an attachment point for the M6 Mounting Screws.
 - a – From inside of the Mounting Rails, insert one of the flanges of the cage nut through the square opening. Press against the side of the square opening.
 - b – Compress the cage nut at the sides slightly to allow the remaining flange to fit through the square opening. When the cage nut is properly installed, both flanges will protrude through the square opening and will be visible on the outer surface of the mounting rail. Repeat steps 1a and 1b until all required cage nuts are installed.
2. After installing the required cage nuts, use the included M6 Mounting Screws and M6 Washers to secure your equipment. **NOTE: The rack can hold up to 75 pounds evenly distributed.**

Mounting Feet

The provided mounting feet can be used to mount the enclosure to most surfaces or you can use the appropriate Altelix pole or wall mount kit sold separately on our website.

To install the mounting feet, first drill through the 4 recessed holes in the back of the enclosure. Be sure to follow proper safety procedures when drilling. Once drilled, use the provided M6 nuts and bolts to fasten the mounting feet to the back of the enclosure.



**WARNING: INSTALLATION OF THIS PRODUCT NEAR POWERLINES IS DANGEROUS.
FOR YOUR SAFETY, FOLLOW THE INSTALLATION DIRECTIONS**



Under some conditions, this enclosure may not prevent electrocution. Users should keep enclosure away from any overhead wires. If enclosure contacts a power line, any initial protection could fail at any time. IF ENCLOSURE NEARS ANY OVERHEAD WIRES, IMMEDIATELY LET GO, STAY AWAY, AND CALL UTILITY COMPANY

THIS ENCLOSURE IS DESIGNED TO BE INSTALLED ONLY BY A TRAINED PROFESSIONAL INSTALLER

Warning: To avoid electric shock, grounding must be installed by the installer as part of the installation. The unit must be grounded and installed in accordance with National Electrical Codes (NEC) and any local codes. Note that non-metallic enclosures do not provide grounding between conduit connections.

Warning: Enclosure must be locked when energized to prevent unauthorized access and shock hazard.

Important: Look over the site before beginning installation, and anticipate possible hazards.

Select a safe site to install the enclosure.

If you have power lines in the area, call your local electric utility for assistance.

NEVER work alone; always have someone near who can summon help.

Check weather conditions. Be sure that the area is not slippery and make sure that rain or thunderstorms are not predicted for the day you install the enclosure.

If you need to use a ladder, make sure it is made of non-conductive (non-metallic) material

Enclosures improperly installed or installed to an inadequate structure are susceptible to wind damage that can be very serious or even life threatening. Ensure that the installation is properly grounded. Ensure that the enclosure is properly secured and structurally sound to support all loads (weight, wind & ice).

Rooftop Installation Warning

DO NOT assume that just because you're on a roof, you're isolated from ground. You may still be electrocuted or fall off the roof.