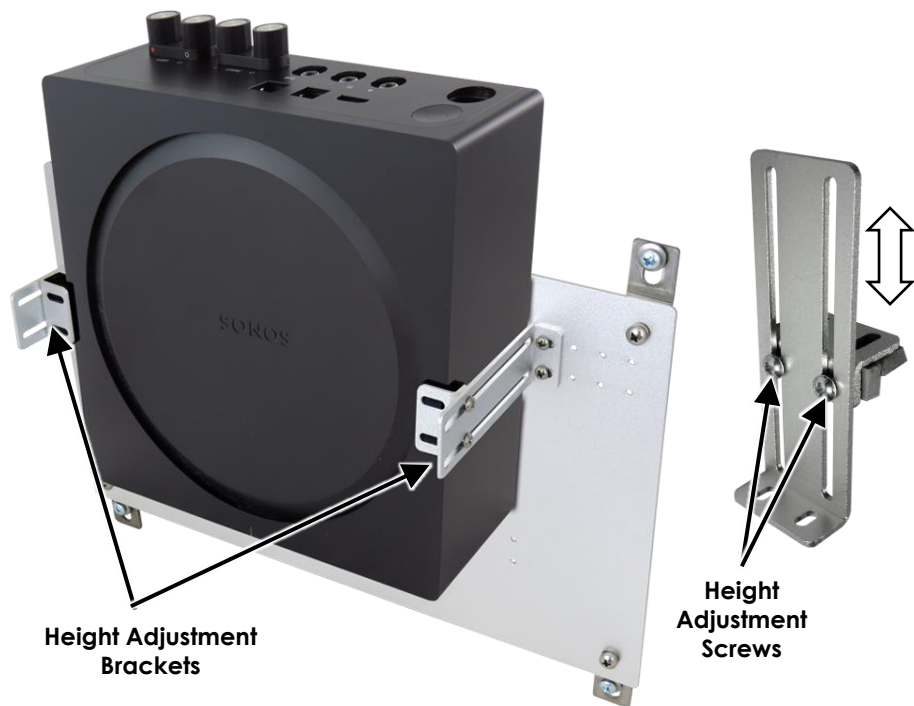


- Mount the equipment plate in the required location. For drywall applications, (4) wall anchors are provided in the kit.
- To secure the device to the equipment plate, move the two height adjustment brackets into place and secure with the (2) screws on bracket. Ensure height adjustment screws are tight.



**Installation Note:** The steps 4 and 5 may be reversed depending on the size and weight of the equipment being installed.

**Got Questions?**  
We are here to help.  
Contact us at:



[sales@altelix.com](mailto:sales@altelix.com)



**USA & Canada Customers: 866-660-9434**  
**International Customers: +1 561-660-9434**

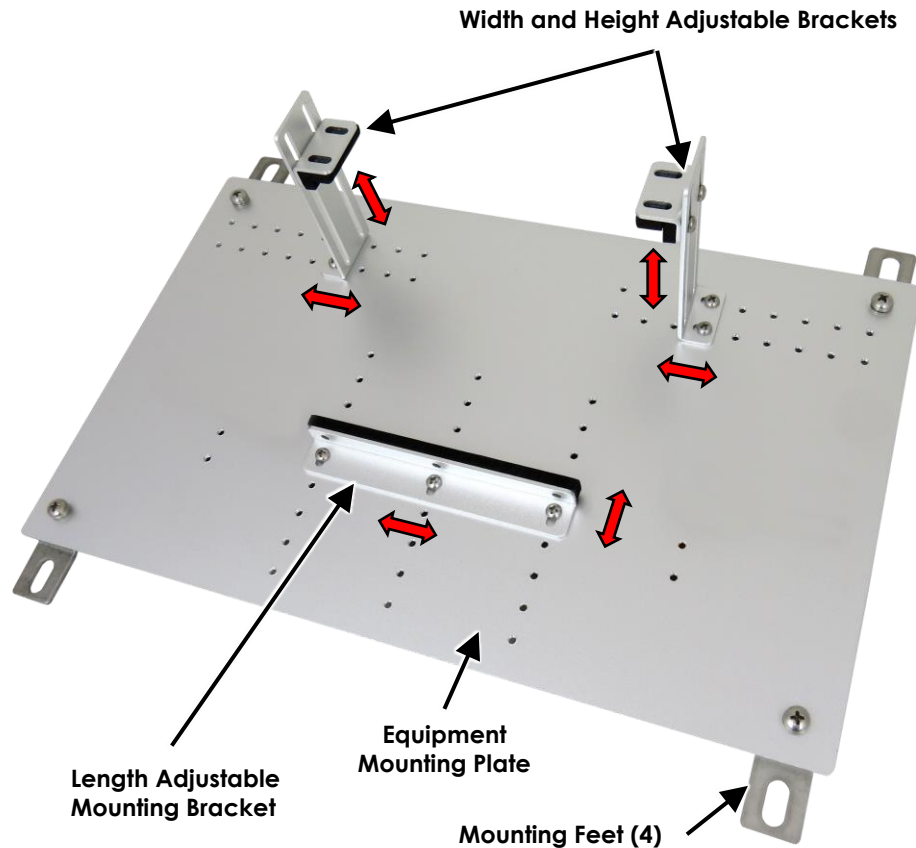
Altelix LLC USA: 866-660-WIFI (9434) International: +1 561-660-9434 [sales@altelix.com](mailto:sales@altelix.com) [www.altelix.com](http://www.altelix.com)

Copyright (C) 2017 Altelix LLC. All rights reserved. Altelix and the Altelix logo are Trademarks and/or Registered Trademarks of Altelix LLC.

Specifications are subject to change without notice. See [www.altelix.com](http://www.altelix.com) for most current information

## Install Brackets

The Altelix NHPW-AV1 Wall Mountable Universal Mounting System consists of three adjustable brackets used for securing the equipment to the aluminum equipment mounting plate. The brackets can be adjusted for width, length and height.



The aluminum equipment mounting plate includes four (4) stainless steeling mounting feet so that the plate can be directly attached to a metal bulkhead or to a wall using the anchors provided.

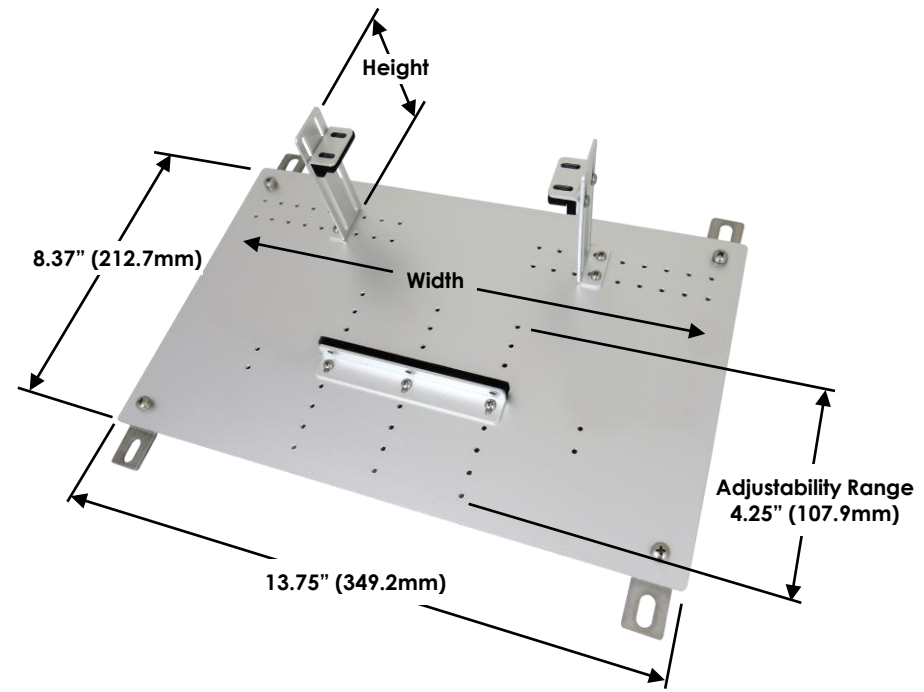
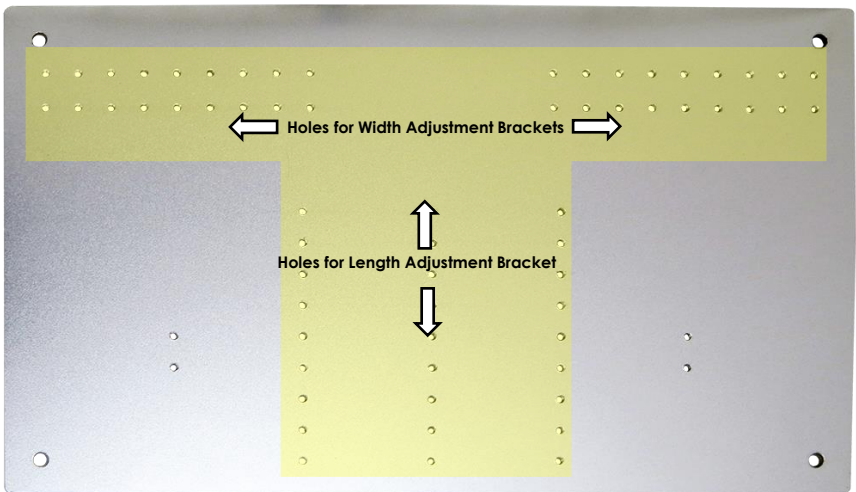
The NHPW-AV1 includes the following components:

- (2) Width and Height Adjustment Brackets
- (1) Length Adjustment Bracket
- (7) Bracket Mounting Screws
- (4) Mounting Feet and Hardware



1. To determine the location of the (3) equipment mounting brackets, position the device to be mounted onto the equipment mounting plate. Position it within the mounting hole locations for the brackets as indicated below. Be sure to orientate your equipment so that any connections or ports are easily accessible.

Equipment Mounting Plate



Width Min.	Width Max.	Height Min.	Height Max.
3.0 in. (76.2mm)	11.5" (292.1mm)	0.5 in. (12.7mm)	3.5 in. (88.9mm)

The above illustration and chart shows the minimum and maximum width and height of devices that can be mounted to the NHPW-AV1.

- Once the location of the (3) equipment mounting brackets are determined, secure each to the equipment mounting plate using the supplied screws.
- Attach the (4) mounting feet to the plate using the hardware provided.

