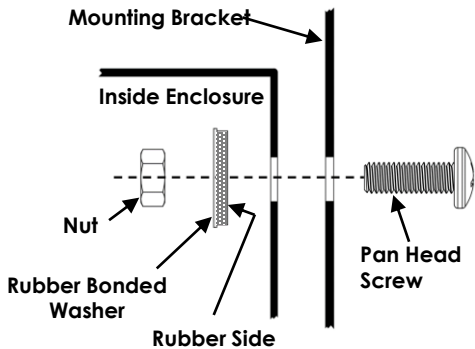


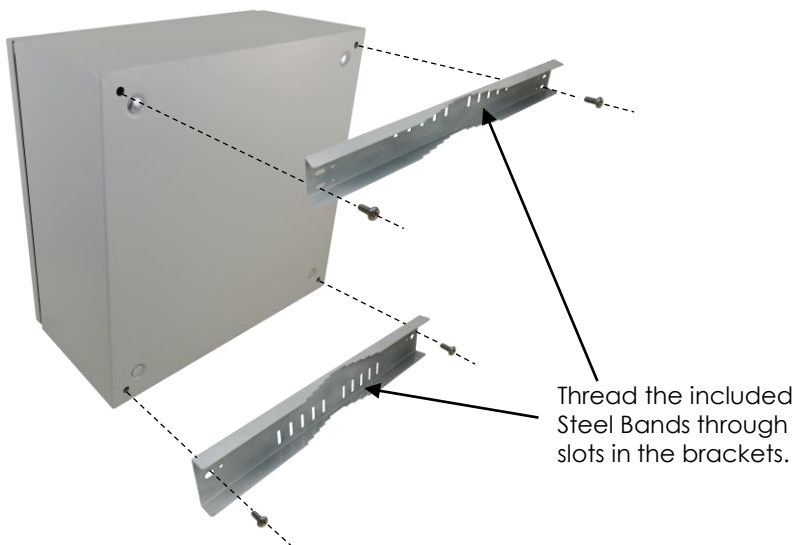
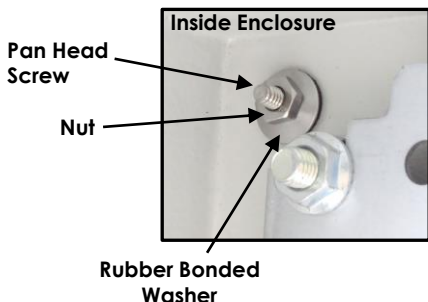
## Installation for NS/NX Series Enclosures

Included with the enclosure are (4) Pan Head Screws, (4) Nuts and (4) Rubber Bonded Washers. This is the hardware needed to mount the brackets.

When mounting the brackets to the enclosure, the rubber bonded washers should be orientated as shown in the diagram. This will ensure the mounting holes are properly sealed.



Secure the mounting brackets to the enclosure as shown.



# Installation for NFC Series Enclosures

First drill through the (4) recessed holes in the back of the enclosure (1/4" recommended drill bit size). Be sure to follow proper safety procedures when drilling.



Using the hardware supplied with enclosure, attach mounting brackets as shown.

Thread the included Steel Bands through slots in the brackets.

# Installation for NF Series Enclosures

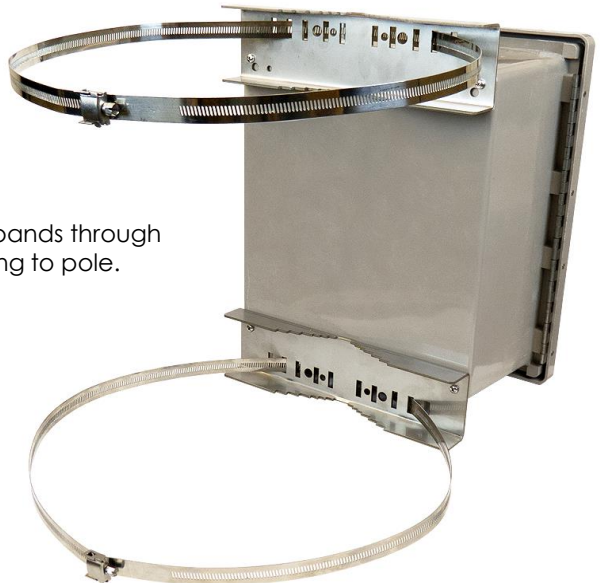


When attaching mounting brackets, hand tighten screws only.



Position mounting brackets as shown and attach to rear of enclosure using the M5 screws supplied with enclosure

Thread included steel bands through brackets before securing to pole.



**WARNING: INSTALLATION OF THIS PRODUCT NEAR POWERLINES IS DANGEROUS. FOR YOUR SAFETY, FOLLOW THE INSTALLATION DIRECTIONS**



Under some conditions, this enclosure may not prevent electrocution. Users should keep enclosure away from any overhead wires. If enclosure contacts a power line, any initial protection could fail at any time. IF ENCLOSURE NEARS ANY OVERHEAD WIRES, IMMEDIATELY LET GO, STAY AWAY, AND CALL UTILITY COMPANY

**THIS ENCLOSURE IS DESIGNED TO BE INSTALLED ONLY BY A TRAINED PROFESSIONAL INSTALLER**

**Warning:** To avoid electric shock, grounding must be installed by the installer as part of the installation. The unit must be grounded and installed in accordance with National Electrical Codes (NEC) and any local codes. Note that non-metallic enclosures do not provide grounding between conduit connections.

**Warning:** Enclosure must be locked when energized to prevent unauthorized access and shock hazard.

**Important:** Look over the site before beginning installation, and anticipate possible hazards. Select a safe site to install the enclosure.

If you have power lines in the area, call your local electric utility for assistance.

**NEVER** work alone; always have someone near who can summon help.

Check weather conditions. Be sure that the area is not slippery and make sure that rain or thunderstorms are not predicted for the day you install the enclosure.

If you need to use a ladder, make sure it is made of non-conductive (non-metallic) material.

Enclosures improperly installed or installed to an inadequate structure are susceptible to wind damage that can be very serious or even life threatening. Ensure that the installation is properly grounded. Ensure that the enclosure is properly secured and structurally sound to support all loads (weight, wind & ice).

### **Rooftop Installation Warning**

**DO NOT** assume that just because you're on a roof, you're isolated from ground. You may still be electrocuted or fall off the roof.

**Got Questions?**

**We are here to help.  
Contact us at:**



**sales@altelix.com**



**USA & Canada Customers: 866-660-9434  
International Customers: +1 561-660-9434**

**Altelix LLC USA: 866-660-WIFI (9434) International: +1 561-660-9434 sales@altelix.com www.altelix.com**

Copyright (C) 2023 Altelix LLC. All rights reserved. Altelix and the Altelix logo are Trademarks and/or Registered Trademarks of Altelix LLC.

Specifications are subject to change without notice. See [www.altelix.com](http://www.altelix.com) for most current information