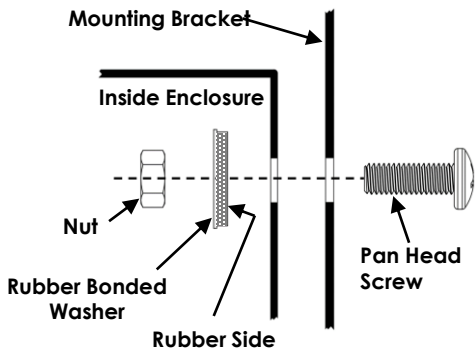


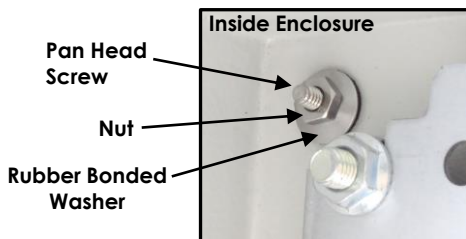
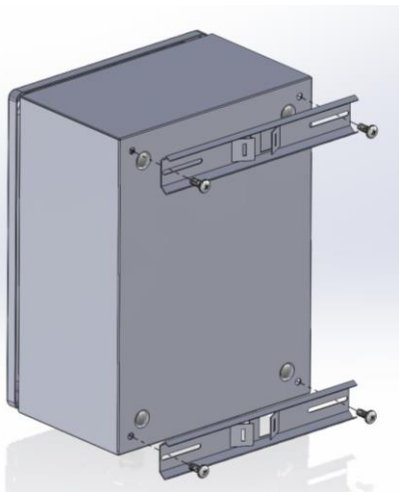
Installation for NS Series Enclosures

Included with the enclosure are (4) Pan Head Screws, (4) Nuts and (4) Rubber Bonded Washers. This is the hardware needed to mount the brackets.

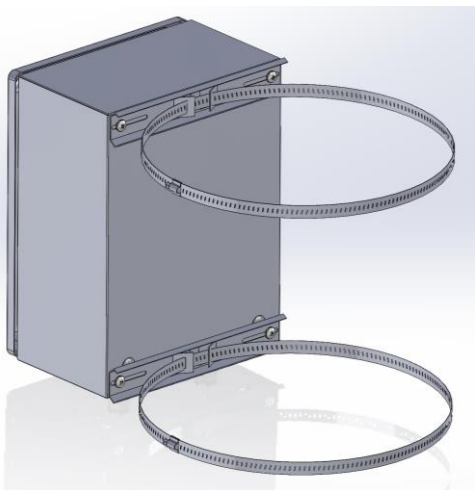
When mounting the brackets to the enclosure, the rubber bonded washers should be orientated as shown in the diagram. This will ensure the mounting holes are properly sealed.



Pole Mount Configuration



Note:
Thread Steel Bands through brackets before securing to pole.

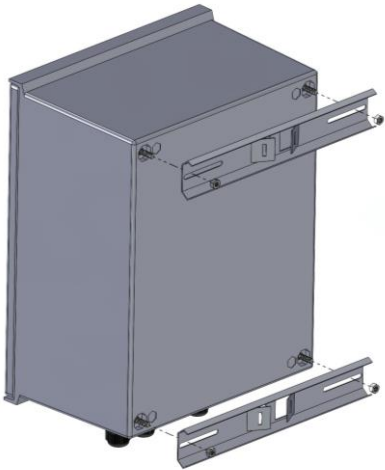


Installation for NFC Series Enclosures

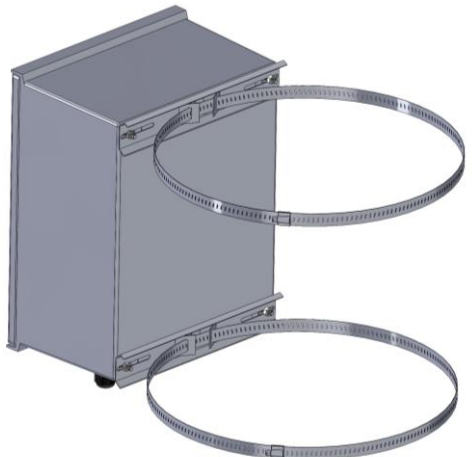
First drill through the (4) recessed holes in the back of the enclosure (1/4" recommended drill bit size). Be sure to follow proper safety procedures when drilling.



Pole Mount Configuration

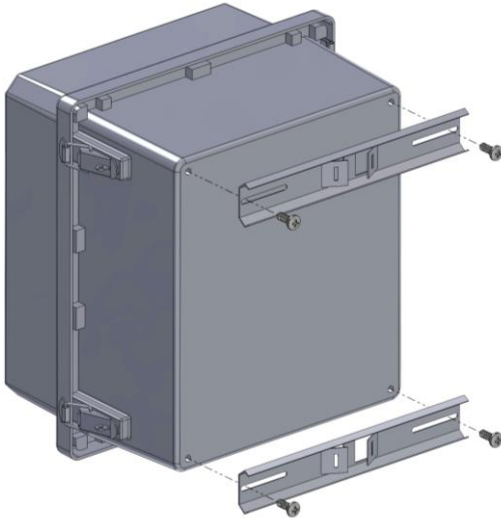


Using the hardware supplied with enclosure, attach mounting brackets as shown.



Note:
Thread Steel Bands through brackets before securing to pole.

Installation for NF Series Enclosures



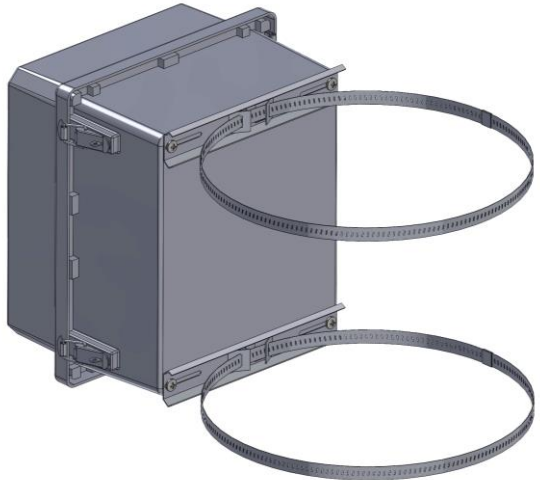
Position mounting brackets as shown and attach to rear of enclosure using the M5 screws supplied with enclosure.



When attaching mounting brackets, hand tighten screws only.

Note:

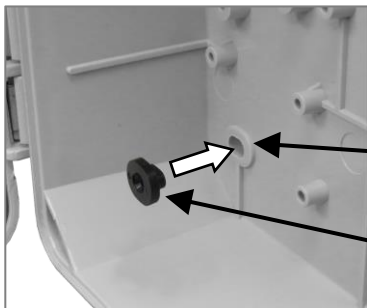
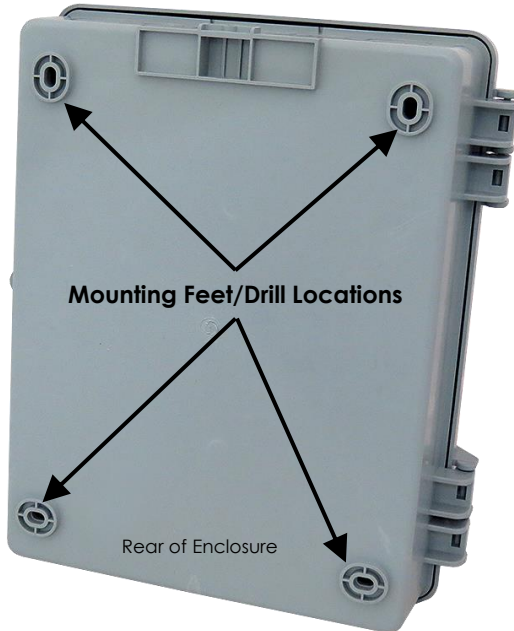
Thread Steel Bands through brackets before securing to pole.



Installation for NP Series Enclosures

The NP series enclosures feature (4) mounting feet on the rear of the enclosure. Depending on the model, these mounting feet may need to be drilled in order to attach the pole mounting brackets.

For models requiring drilling, using a 1/4" drill bit, drill through mounting feet as required.

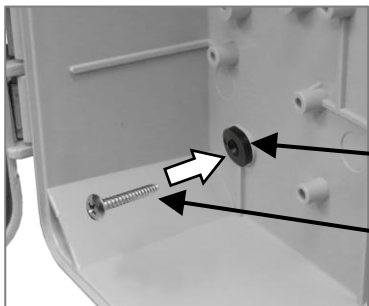


Step 1

Place (4) Rubber Sealing Washers (included with enclosure) into (4) mounting holes as shown.

Mounting Hole

Rubber Sealing Washer

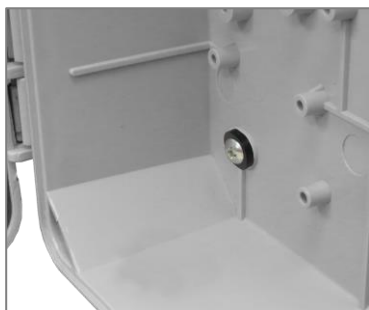


Step 2

Secure the enclosure to the wall using the (4) Screws.

Rubber Sealing Washer

Mounting Screw



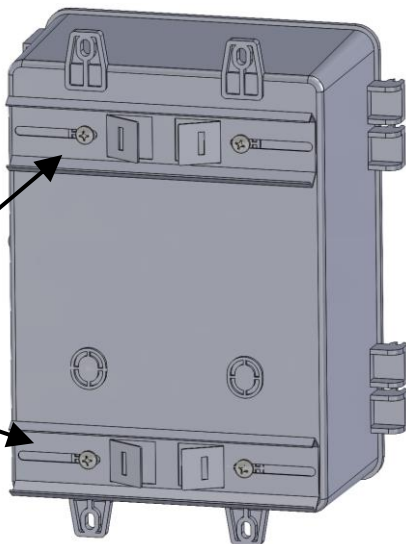
Step 3

When mounting the enclosure, ensure the rubber sealing washers completely cover the enclosure mounting holes to provide a water-tight seal. Silicone sealant can also be added to enhance the seal.

Step 4

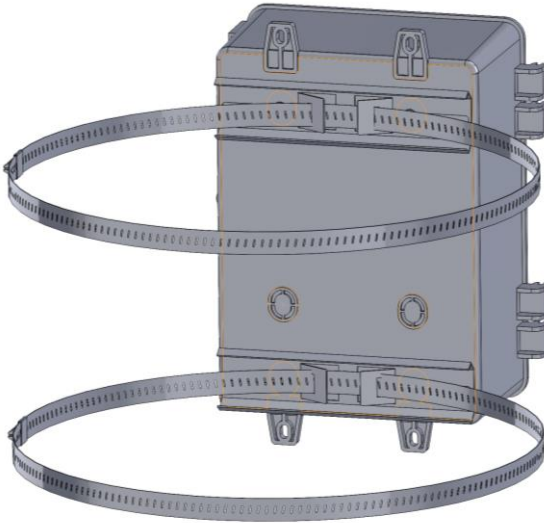
Install (2) mounting brackets onto the rear of the enclosure as shown using the included hardware.

Mounting Brackets



Step 3

Feed the (2) stainless steel adjustable bands through the mounting brackets as shown.



Note:
Thread Steel Bands through brackets before securing to pole.

Adjustable Bands

The adjustable bands included with in the kit can be used on poles ranging from 1.5" to 8" in diameter.

Additional stainless steel adjustable bands can be purchased from Altelix.

Four sizes are available for use with pole sizes ranging from 4" diameter to 17.5" diameter.

Got Questions?
We are here to help.
Contact us at:



sales@altelix.com



USA & Canada Customers: 866-660-9434
International Customers: +1 561-660-9434

WARNING: INSTALLATION OF THIS PRODUCT NEAR POWERLINES IS DANGEROUS. FOR YOUR SAFETY, FOLLOW THE INSTALLATION DIRECTIONS



Under some conditions, this enclosure may not prevent electrocution. Users should keep enclosure away from any overhead wires. If enclosure contacts a power line, any initial protection could fail at any time. IF ENCLOSURE NEARS ANY OVERHEAD WIRES, IMMEDIATELY LET GO, STAY AWAY, AND CALL UTILITY COMPANY

THIS ENCLOSURE IS DESIGNED TO BE INSTALLED ONLY BY A TRAINED PROFESSIONAL INSTALLER

Warning: To avoid electric shock, grounding must be installed by the installer as part of the installation. The unit must be grounded and installed in accordance with National Electrical Codes (NEC) and any local codes. Note that non-metallic enclosures do not provide grounding between conduit connections.

Warning: Enclosure must be locked when energized to prevent unauthorized access and shock hazard.

Important: Look over the site before beginning installation and anticipate possible hazards. Select a safe site to install the enclosure.

If you have power lines in the area, call your local electric utility for assistance.

NEVER work alone; always have someone near who can summon help.

Check weather conditions. Be sure that the area is not slippery and make sure that rain or thunderstorms are not predicted for the day you install the enclosure.

If you need to use a ladder, make sure it is made of non-conductive (non-metallic) material.

Enclosures improperly installed or installed to an inadequate structure are susceptible to wind damage that can be very serious or even life threatening. Ensure that the installation is properly grounded. Ensure that the enclosure is properly secured and structurally sound to support all loads (weight, wind & ice).

Rooftop Installation Warning

DO NOT assume that just because you're on a roof, you're isolated from ground. You may still be electrocuted or fall off the roof.