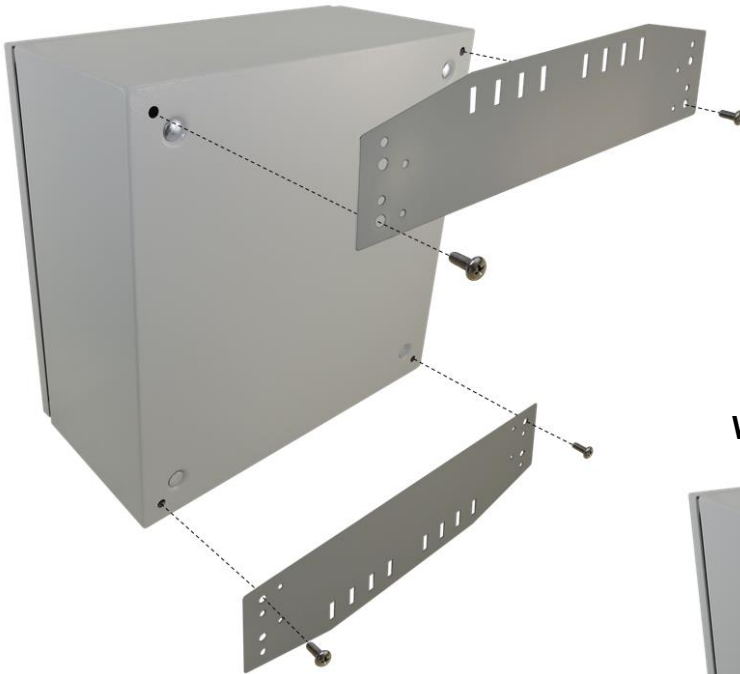


WARNING: READ ALL INSTRUCTION BEFORE USE. THIS MOUNTING KIT IS DESIGNED TO BE INSTALLED BY A TRAINED PROFESSIONAL INSTALLER.

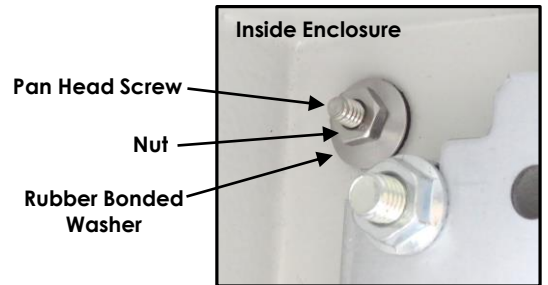
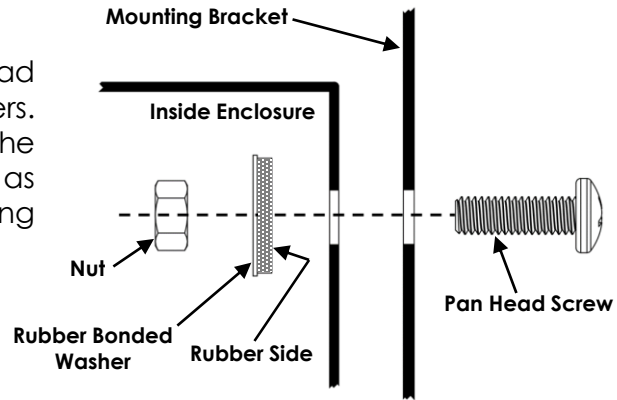
Installation for NS and NX Series Steel Enclosures

Included with the mounting kit are (4) Pan Head Screws, (4) Nuts and (4) Rubber Bonded Washers. When mounting the brackets to the enclosure, the rubber bonded washers should be orientated as shown in the diagram. This will ensure the mounting holes are properly sealed.

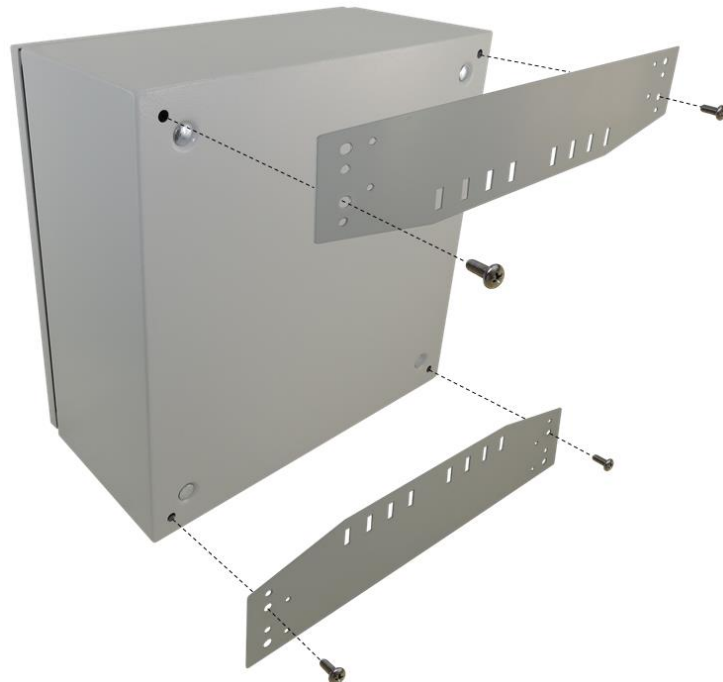
Pole Mount Configuration



Note:
Thread Steel Bands through brackets before securing to pole.



Wall Mount Configuration



Altelix LLC USA: 866-660-WIFI (9434) International: +1 561-660-9434 sales@altelix.com www.altelix.com

Copyright (C) 2017 Altelix LLC. All rights reserved. Altelix and the Altelix logo are Trademarks and/or Registered Trademarks of Altelix LLC.

Specifications are subject to change without notice. See www.altelix.com for most current information

NMKS-S Pole/Wall Mounting Kit For NS and NX Series Steel Enclosures

**WARNING: INSTALLATION OF THIS PRODUCT NEAR POWERLINES IS DANGEROUS.
FOR YOUR SAFETY, FOLLOW THE INSTALLATION DIRECTIONS**

Under some conditions, this enclosure may not prevent electrocution. Users should keep enclosure away from any overhead wires. If enclosure contacts a power line, any initial protection could fail at any time. IF ENCLOSURE NEARS ANY OVERHEAD WIRES, IMMEDIATELY LET GO, STAY AWAY, AND CALL UTILITY COMPANY

**THIS ENCLOSURE IS DESIGNED TO BE INSTALLED ONLY BY A TRAINED PROFESSIONAL
INSTALLER**

Warning: To avoid electric shock, grounding must be installed by the installer as part of the installation. The unit must be grounded and installed in accordance with National Electrical Codes (NEC) and any local codes. Note that non-metallic enclosures do not provide grounding between conduit connections.

Warning: Enclosure must be secured using a pad-lock when energized to prevent unauthorized access and shock hazard.

Important: Look over the site before beginning installation, and anticipate possible hazards. Select a safe site to install the enclosure.

If you have power lines in the area, call your local electric utility for assistance.

NEVER work alone; always have someone near who can summon help.

Check weather conditions. Be sure that the area is not slippery and make sure that rain or thunderstorms are not predicted for the day you install the enclosure.

If you need to use a ladder, make sure it is made of non-conductive (non-metallic) material.

Enclosures improperly installed or installed to an inadequate structure are susceptible to wind damage that can be very serious or even life threatening. Ensure that the installation is properly grounded. Ensure that the enclosure is properly secured and structurally sound to support all loads (weight, wind & ice).

Rooftop Installation Warning

DO NOT assume that just because you're on a roof, you're isolated from ground. You may still be electrocuted or fall off the roof.